

# **SabMag/VFR List Microfiche & Manuals Electronic Reader Project**

The microfiche and manuals contained herein are provided as a service to the Internet mailing-list community for non-commercial use only. No warranties, express or implied, are given for the accuracy of this material. All materials contained on this CD are in Adobe Portable Document Format (PDF). You may freely copy this information provided it is used in its entirety and includes this message. The free Adobe Acrobat Reader® for each of the supported computer platforms is included to allow reading. Separate license agreements are provided for this software by Adobe and included in the installation package.

**Back to  
Index**

**Continue**  
To next page

# HONDA

## PARTS CATALOG

**VF700S'84-'85**  
**Sabre**

### Table of Contents

	Grid	Page
How To Use This Catalog .....	A 2	II
Serial Numbers .....	A 3	IV
Construction Of Vehicle Identification Number (V.I.N.) ..	A 3	V
Color Tables .....	A 4	VI
Manuals .....	A 6	X
Model ID Photos .....	A 7	XII
Specifications .....	A 7	XIII
Bulk Hose .....	A 9	XVI
Commonly Required Replacement Parts .....	A 10	XVIII
Contents By Page No. Sequence .....	A 11	XX
Contents In Alphabetical Order .....	A 11	1
<b>Part Groups</b>		
Engine Group .....	B 1	2
Frame Group .....	E 1	54
<b>Index</b>		
Part Number Index .....	I 1	134
Description Index .....	J 1	146

AMERICAN HONDA MOTOR CO., INC.

July, 1993  
Second Edition  
14MB0EM

© AMERICAN HONDA MOTOR CO., INC. 1993

PRINTED IN USA

14MB0EM © American Honda Motor Co., Inc. 1993 I

GRID

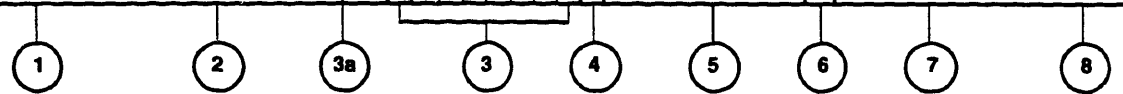
**A1**

# How To Use This Catalog

This parts catalog is to be used when ordering replacement parts for the model (s) specified on the microfiche strip.

## CATALOG PAGE BREAKDOWN

REF. NO.	BLOCK NO.	E-1	MODEL APPLICATION							AREA CODE	ENGINE SERIAL NUMBER	QTY REQ	PART NUMBER	HONDA CODE
			MODEL	MODEL	MODEL	MODEL	MODEL	MODEL	MODEL					
			1	1	1	1	1	1	1					
			9	9	9	9	9	9	9	9				
			8	8	8	8	8	8	8	8				
			4	5	6	7	4	5	6	7				



1. **REF NO.** — Reference number corresponding with the reference numbers on the illustrations. \*

\* All illustrations are representative only and do not necessarily correspond exactly to the actual part. "NI" signifies the part is not illustrated.

2. **DESCRIPTION** — Describes the part for the related part number.

Abbreviations:

ASSY.	- Assembly	Link	(100 Links)
COMP.	- Complete	A.C.	- Alternating Current
R.	- Right		
L.	- Left	D.C.	- Direct Current
STD.	- Standard	IN	- Inlet
MM	- Millimeter	EX.	- Exhaust
G	- Gram	FR.	- Front
T (22T)	- Tooth (22 Teeth)	RR.	- Rear
A	- Ampere	HEX.	- Hexagonal
V	- Volt	A.M.	- Attaching Mark
W	- Watt	T.M.	- Transcript Mark
KPH	- Kilometer Per Hour	C.D.I.	- Capacitive Discharge Ignition
MPH	- Miles Per Hour	WL	- With Labeling
		WOL	- Without Labeling

### Decision for 'R' or 'L'.

'R' or 'L' in the description of a part stands for the Right hand side or the Left hand side which is decided by the forward direction of travel of the vehicle.

3. **MODEL APPLICATION** — Model application for the various models listed within the catalog. Single model applications will not require this section.

3a. **MODEL YEAR GUIDE** — A guide to the part application. (prior to 1976 the guide reference is the model designation i.e., K0, K1, etc... For 1976 and above the guide reference is the last digit of the model year i.e., 1976=6; 1977=7; 1985=5 etc...)

4. **AREA CODE** — Area codes for parts that are unique to a particular area. Area codes are defined in the Serial Number application chart when applicable. This column will not be used in catalogs which do not include unique area codes.

5. **SERIAL NUMBER** — Applies to Engine or Frame serial numbers depending on the section.

The serial number of the vehicle (frame, engine, carburetor) should be checked prior to ordering parts for a specific unit. In cases where a part has been modified, the serial number of the vehicle bearing the modification is listed in the "SERIAL NUMBER" column.

The modification parts are controlled by each pertinent serial number below:

**Engine serial number** — Engine group parts (Block numbers beginning with "E").

**Carburetor identification number** — Carburetor component parts.

**Frame serial numbers** — Frame group parts (Block numbers beginning with "F"). Serial number application chart and Serial number locations are provided.

Note: Some models may be controlled by one serial number only.

# How To Use This Catalog

6. **QTY REQ** — Quantity required per unit as specified.  
A. "N" in place of the quantity indicates AS REQUIRED.  
B. "( )" or "\*" by the quantity required indicates "optional".

8. **HONDA CODE** — The Honda Code is listed to the right of each Part Number.

7. **PART NUMBER** — Part number corresponding to the reference numbers and application. Several part numbers may be listed under one (1) reference number. For your convenience the current supersede chain, as of print date, has been listed for you. Supersede chains are subject to change without notice.

A. **ADDITIONAL INFORMATION** — The table of contents located at the right of each microfiche grid lists sectioned titles in alphabetical order. Some microfiche will require separate tables of contents for the Engine and Frame sections which will be noted in a sub-heading; the introduction section (Row "A") of these microfiche will have the contents of the Engine Section on even number grids and the contents of the Frame Section on odd number grids.

### MAKE-UP OF PART NUMBERS

All parts are classified into two groups consisting of "GENERAL PARTS" and "STANDARD PARTS". All parts are numbered in accordance with system described below:

#### General Parts

Example: Fork comp. Part No. .... 51105-GR1-700ZA  
Function No. .... 51  
Component No. .... 105  
Parts Classification No. .... GR1-  
Classification No. .... 700  
\*Color Code ..... ZA

#### Standard Parts

Example: 8 x 8 Hex., Bolt rt No. .... 92000-08018-1A  
Function No. .... 92  
Type No. .... 000  
Dimensions ..... -08018-  
ISO Standard Designation ..... 1  
Chemical Surface Treatment ..... A

\* The color code at the end of a General Part's part number indicate the color. However, color codes such as ZA, ZB, ZC onward except ZZ, do not indicate the color directly but refer to the notes "\*" in the Description Column of this Parts Catalog Microfiche. If the color description is not indicated in the text, refer to the color table.

#### NOTE:

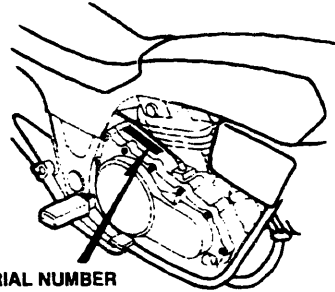
1. The Block No. listed in the upper right hand corner of the Description heading refers to a complete illustration page and it's text, and should not be confused with the GRID NO. when using microfiche.
2. Rear view mirrors are standard equipment on all street legal models.

## Serial Numbers

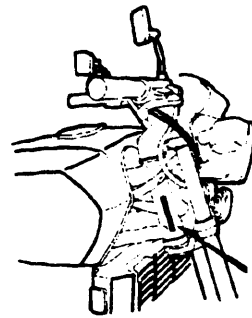
### Models and applicable serial numbers

Models and applicable serial Nos. given in this parts catalog can be identified as follows.

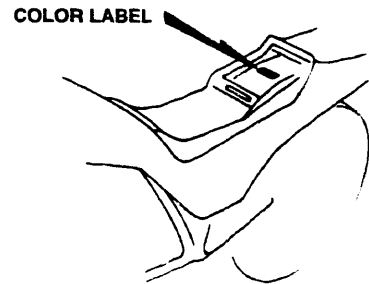
Model	Area Code	Unique Area	Applicable Engine Serial No.	Applicable Frame Serial No.	Applicable Carburetor Identification No.
VF700S '84	A	EXCEPT CALIFORNIA	RC22E-2000008 To 2005978	RC220* EM000007 To EM005012	VD50E
VF700S '84	AC	CALIFORNIA	RC22E-2002575 To 2006097	RC221* EM000006 To EM001081	VD02A
VF700S '85	A	EXCEPT CALIFORNIA	RC22E-2100001 To 2103668	RC220* FM100001 To FM102800	VD50E VD50E
VF700S '85	AC	CALIFORNIA	RC22E-2100001 To 2103285	RC221* FM100001 To FM100863	VD02A



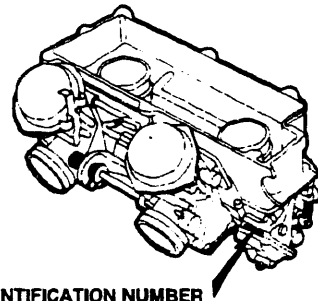
ENGINE SERIAL NUMBER



FRAME SERIAL NUMBER



COLOR LABEL



CARBURETOR IDENTIFICATION NUMBER

## Construction of Vehicle Identification Number (V.I.N.)

(Example) 

W.M.I.	V.D.S.	V.I.S.
JH2	RC040	200001

  
W.M.I. .... World manufacturer identifier  
V.D.S. .... Vehicle descriptor section  
V.I.S. .... Vehicle indicator section

Sequential Production number

### Plant representation

A ... OHIO factory in U.S.A  
B ... AALST factory in BELGIUM  
C ... SAITAMA factory in JAPAN  
D ... GUADALAJARA factory in MEXICO  
E ... MONTESA factory in SPAIN  
F ... ATESSA factory in ITALY  
K ... KUMAMOTO factory in JAPAN  
M ... HAMAMATSU factory in JAPAN  
R ... MANAUS factory in BRAZIL  
S ... SUZUKA factory in JAPAN  
T ... TOCHIGI factory in JAPAN

### Model year

(Example)  
B .. 1981 C .. 1982 D .. 1983 ..... X .. 1999  
<Except I.O.Q.U>

### Check digit

This code is used to detect errors in the V.I.N. and consists of a single-digit number (0-9) or a letter "X". It has no direct bearing upon the V.D.S. and V.I.S.

### Vehicle description code

(Example) RC040 ... CB750F NC030 ... CB400T  
Refer to: SERIAL NUMBERS

### Make and Type of vehicle

JH2 ... HONDA, Motorcycle (Manufactured in JAPAN)  
1HF ... HONDA, Motorcycle (Manufactured in U.S.A.)  
YC1 ... HONDA, Motorcycle (Manufactured in BELGIUM)  
9C2 ... HONDA, Motorcycle (Manufactured in BRAZIL)  
3H1 ... HONDA, Motorcycle (Manufactured in MEXICO)  
VTM ... HONDA, Motorcycle (Manufactured in SPAIN)  
ZDC ... HONDA, Motorcycle (Manufactured in ITALY)  
JH3 ... HONDA, All terrain vehicle (Manufactured in JAPAN)  
478 ... HONDA, All terrain vehicle (Manufactured in U.S.A.)

Any change or modification of parts is directly related to the V.D.S. and V.I.S.  
A V.I.S. number will appear in the "Serial No." column of the Parts Catalog if a part is changed or modified.

### COMMENT:

This example is generic and applies to 1981 and newer vehicles. 1980 models and prior are referred to as "FRAME NUMBERS" and the construction is designed by using the model designation or code followed by a sequential number.

## Color Tables

### Color Chart

- (WL) = Stripes and labels other than caution labels are included in parts whose part name end in (WL).
- (WOL) = Stripes and labels are not included in parts whose part name end in (WOL).

COLOR CODE TABLE (Color Descriptions omitted from the main text of the catalog)

TYPE OF PARTS	COLOR CODE	COLOR DESCRIPTION	
PAINTED PARTS	A	WHITE	
	B	BLACK	
	C	SCARLET	
	E	ROYAL BLUE	
	N	DARK BLUE	
	Q	MARUEM BLUE	
	R	IVORY YELLOW	
	S	DARK SILVER	
	T	METALLIC SILVER	
	XW	CHROME	
	Z	PRIMER	
	ZZ	PRIMER	
	VINYL PARTS	A	BLACK
		B	BLUE
D		LIGHT BLUE	
E		SCARLET	
G		DARK ROSE	
N		ELEPHANT GRAY & IVORY	
Q		WHITE	
V		IVORY	

## Color Tables

### Color Application Chart

- When ordering a part of a particular color or type, refer to the chart below for the model color and color label application.
- (WL) = Stripes and labels other than caution labels are included in parts whose part name end in (WL).
- (WOL) = Stripes and labels are not included in parts whose part name end in (WOL).

MODEL	VF700S <sub>E</sub> '84	
COLOR	Black	Black
COLOR CODE	NH-1	NH-1
BODY COMP., FRAME A/C: A	NH-1	NH-1
BODY COMP., FRAME A/C: AC	NH-1	NH-1
COVER SET, R. SIDE	NH-1/TYPE 1	NH-1/TYPE 2
COVER SET, L. SIDE	NH-1/TYPE 1	NH-1/TYPE 2
COWL SET, RR.	NH-1/TYPE 1	NH-1/TYPE 2
FENDER COMP., FR.	NH-1	NH-1
FORK ASSY., RR.	NH-1	NH-1
MARK, DRIVE CAUTION	A-03	A-03
STRIPE, R. FUEL TANK	TYPE 1	TYPE 2
STRIPE, L. FUEL TANK	TYPE 1	TYPE 2
STRIPE, R. RR. COWL	TYPE 1	TYPE 2
STRIPE, L. RR. COWL	TYPE 1	TYPE 2
STRIPE, R. SIDE COVER	TYPE 1	TYPE 2
STRIPE, L. SIDE COVER	TYPE 1	TYPE 2
SUB FRAME COMP. A/C: A	NH-1	NH-1
SUB FRAME COMP. A/C: AC	NH-1	NH-1
TANK SET, FUEL A/C: A	NH-1/TYPE 1	NH-1/TYPE 2
TANK SET, FUEL A/C: AC	NH-1/TYPE 1	NH-1/TYPE 2

Note: When applicable, "From:" and "To:" followed by a Serial Number in the Description column, indicates the application range when present; "A/C:" followed by a code indicates the Area Code.

## Color Tables

### Color Application Chart

- When ordering a part of a particular color or type, refer to the chart below for the model color and color label application.
- (WL) = Stripes and labels other than caution labels are included in parts whose part name end in (WL).
- (WOL) = Stripes and labels are not included in parts whose part name end in (WOL).

MODEL	VF700S <sub>F</sub> '85	
COLOR LABEL	NH1K	NH1H
COLOR	Black	Black
COLOR CODE	NH-1	NH-1
BODY COMP., FRAME A/C: A	NH-1	NH-1
BODY COMP., FRAME A/C: AC	NH-1	NH-1
COVER SET, R. SIDE	NH-1/TYPE 1	NH-1/TYPE 2
COVER SET, L. SIDE	NH-1/TYPE 1	NH-1/TYPE 2
COWL SET, RR.	NH-1/TYPE 1	NH-1/TYPE 2
EMBLEM, R. FUEL TANK	TYPE 1	TYPE 2
EMBLEM, L. FUEL TANK	TYPE 1	TYPE 2
EMBLEM, RR. COWL	TYPE 1	TYPE 2
EMBLEM, SIDE COVER	TYPE 1	TYPE 2
FENDER COMP., FR.	NH-1	NH-1
FORK ASSY., RR.	NH-1	NH-1
MARK, DRIVE CAUTION	A-03	A-03
STRIPE, R. FUEL TANK	TYPE 1	TYPE 2
STRIPE, L. FUEL TANK	TYPE 1	TYPE 2
STRIPE, R. RR. COWL	TYPE 1	TYPE 2
STRIPE, L. RR. COWL	TYPE 1	TYPE 2
STRIPE, R. SIDE COVER	TYPE 1	TYPE 2
STRIPE, L. SIDE COVER	TYPE 1	TYPE 2
SUB FRAME COMP. A/C: A	NH-1	NH-1
SUB FRAME COMP. A/C: AC	NH-1	NH-1
TANK COMP., FUEL A/C: A	NH-1/TYPE 1	NH-1/TYPE 2

## Color Tables

### Color Application Chart

- When ordering a part of a particular color or type, refer to the chart below for the model color and color label application.
- (WL) = Stripes and labels other than caution labels are included in parts whose part name end in (WL).
- (WOL) = Stripes and labels are not included in parts whose part name end in (WOL).

MODEL	VF700S <sub>F</sub> '85	
COLOR LABEL	NH1K	NH1H
COLOR	Black	Black
COLOR CODE	NH-1	NH-1
TANK COMP., FUEL A/C: AC	NH-1/TYPE 1	NH-1/TYPE 2

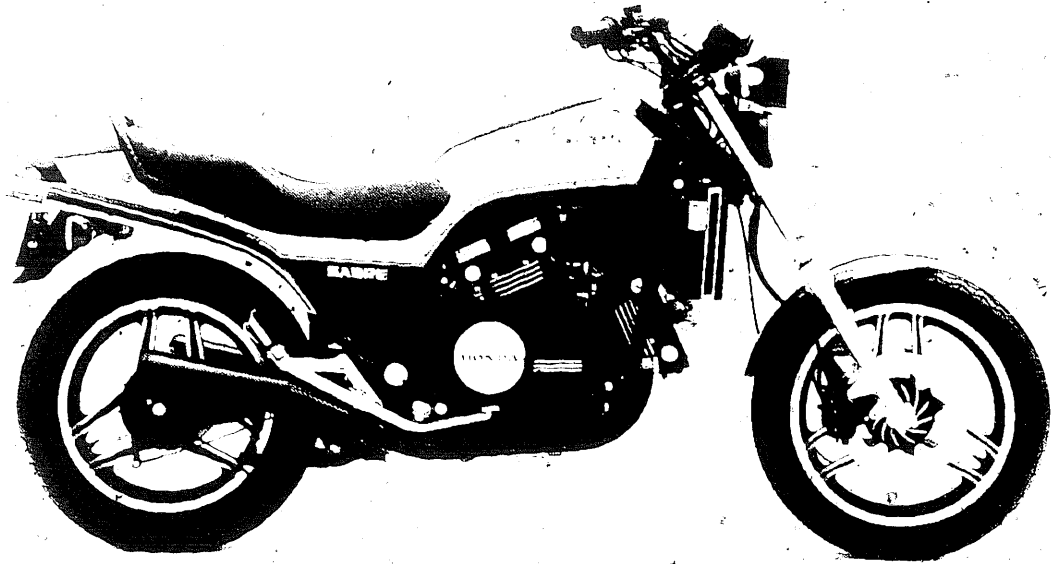
Note: When applicable, 'From:' and 'To:' followed by a Serial Number in the Description column, indicates the application range when present; 'A/C:' followed by a code indicates the Area Code.

## Manuals

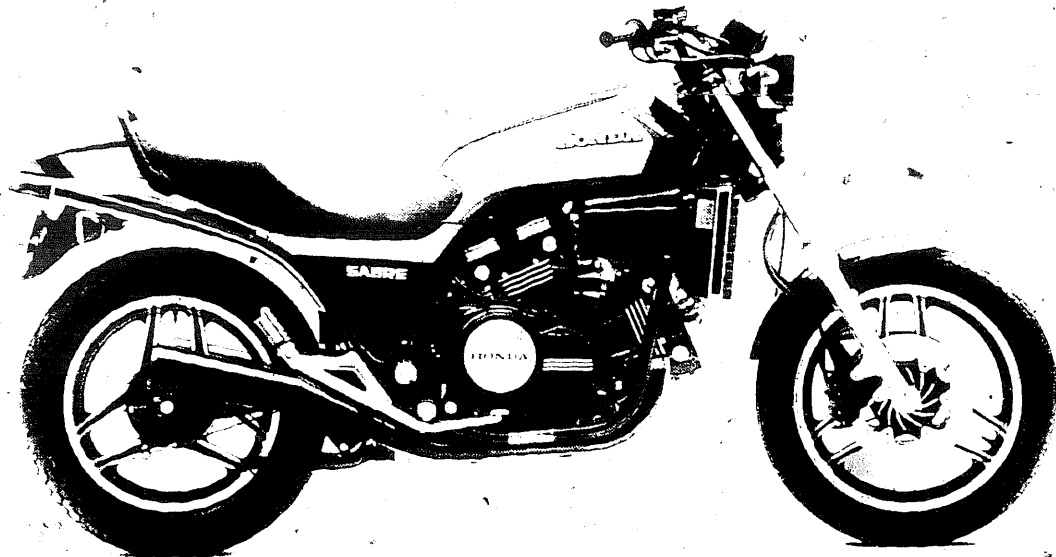
DESCRIPTION	MANUAL NUMBER	H/C
VF700S '84-'85 SERVICE MANUAL	61MB004	1844505
VF700S '84 OWNER'S MANUAL	31MB0610	1783976
VF700S '85 OWNER'S MANUAL	31MB0620	1844513

## Memo

## Model ID Photo



**VF700S'84 SABRE**



**VF700S'85 SABRE**

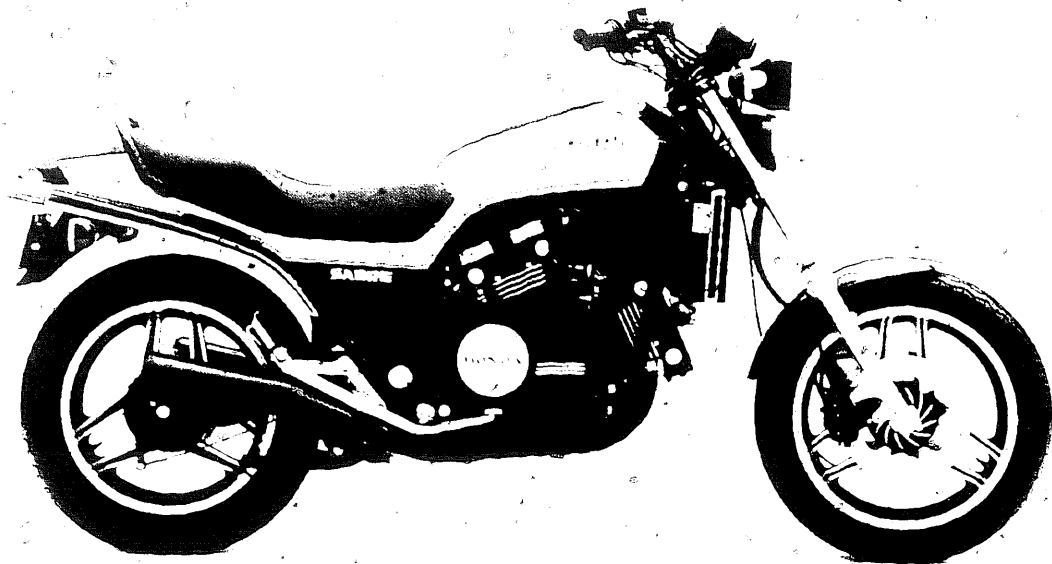
## Specifications

SECTION/SUBJECT	VF700S'84	VF700S'85
<b>ENGINE</b>		
Cylinder .....	Four Cylinder	Four Cylinder
Strokes .....	4-Stroke	4-Stroke
Cooling .....	Liquid Cooled	Liquid Cooled
Camshaft .....	DOHC	DOHC
Valves per cylinder .....	4-Valve	4-Valve
Displacement .....	699cc	699cc
Lubrication system .....	Wet Sump	Wet Sump
Carburetor .....	C.V.A-ACVD50E/VD02A	C.V.A-ACVD50E/VD02A
Main jet .....	# 122 / # 130	# 122 / # 130
Slow jet .....	# 40	# 40
<b>TRANSMISSION</b>		
Transmission type .....	Manual	Manual
Transmission speeds .....	6-Speed	6-Speed
Clutch .....	Manual	Manual
Shift pattern .....	1-N-2-3-4-5-OD	1-N-2-3-4-5-OD
<b>CHASSIS</b>		
Fuel tank capacity (Std) .....	4.8gal	4.8gal
Fuel tank capacity (Res) .....	1.1gal	1.1gal
Air filter type .....	Foam	Foam
Foam filter oil - Pro Honda .....	P. N. 08207-0001	P. N. 08207-0001
Drive chain .....	Shaft Drive	Shaft Drive
Front Brake .....	Double Disc	Double Disc
Rear Brake .....	Internal expand shoe	Internal expand shoe
Front tire .....	110/90x18-61H	110/90x18-61H
Tire pressure .....	32PSI	32PSI
Rear tire .....	130/90x17-68H	130/90x17-68H
Tire pressure .....	40PSI	40PSI
<b>SERVICE/TUNING</b>		
Valve clearance .....		
Intake .....	0.12mm (0.005")	0.12mm (0.005")
Exhaust .....	0.12mm (0.005")	0.12mm (0.005")
Ignition type .....	Fully Transitionized	Fully Transitionized
Spark plug gap .....	0.8-0.9mm (0.031-0.035")	0.8-0.9mm (0.031-0.035")
<b>LUBRICATION</b>		
Recommended fuel .....	86+Octane	86+Octane

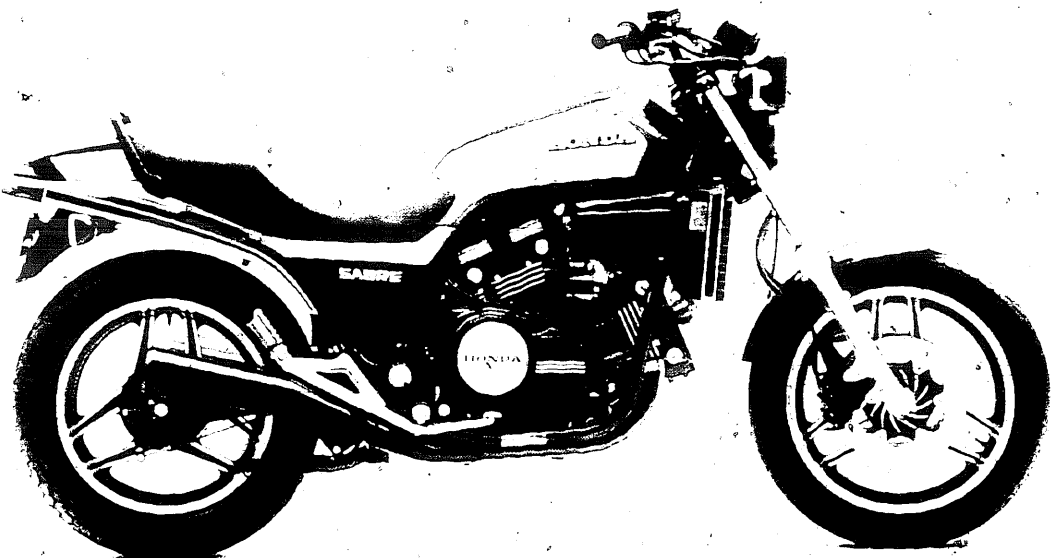
(Continued)



### Model ID Photo



**VF700S'84 SABRE**



**VF700S'85 SABRE**

### Specifications

SECTION/SUBJECT	VF700S'84	VF700S'85
<b>LUBRICATION (continued)</b>		
Engine oil - Pro Honda:		
GN4 10W40 .....	P/N: 08206-0001	P/N: 08206-0001
GN4 20W50 .....	P/N: 08206-0002	P/N: 08206-0002
Engine oil capacity:		
After draining .....	3.2qts	3.2qts
Coolant type .....	P/N: CUG8730	P/N: CU08730
Coolant ratio .....	50:50	50:50
Drive shaft and final gear case:		
Pro Honda shaft drive oil .....	P/N: 08208-0080	P/N: 08208-0080
Fork oil:		
Pro Honda .....	P/N: 08208-0010	P/N: 08208-0010
Viscosity .....	10W	10W
Capacity after draining .....	R/L 340/360CC	R/L 340/360CC
Brake fluid - Pro Honda DOT 4 .....	P/N: 08203-0004	P/N: 08203-0004
Hydraulic clutch fluid:		
Pro Honda DOT 4 Brake fluid .....	P/N: 08203-0004	P/N: 08203-0004

# Bulk Hose

## BULK HOSE CROSS REFERENCE CHART

To convert a cut hose part number to the equivalent of roll hose simply match the two part numbers using the following chart, cutting the required length indicated by the cut hose part number.

FUEL HOSE		BULK HOSE		VACUUM HOSE		BULK HOSE	
CATALOG LISTING	CURRENT LISTING	PART NUMBER		CATALOG LISTING	CURRENT LISTING	PART NUMBER	
95001-35	---	2	→	95005-35	---	2	→
95001-35	---	4	→	95005-35	---	3	→
95001-45	---	2	→	95005-35	---	1	→
95001-45	---	4	→	95005-45	---	2	→
95001-55	---	2	→	95005-45	---	3	→
95001-55	---	4	→	95005-50	---	3	→
95001-75	---	4	→	95005-55	---	2	→
				95005-70	---	3	→
				95005-75	---	1	→
				95005-75	---	2	→
				95005-80	---	1	→
				95005-80	---	2	→
				95005-80	---	3	→
				95005-12	---	2	→

### ORDERING INFORMATION

#### FUEL HOSE

PART NUMBER	H/C	INSIDE DIAMETER	ROLL LENGTH
95001-35003-20M	2380533	3.5 mm	3M (9.9ft)
95001-35003-40M	2380541	3.5 mm	3M (9.9ft)
95001-45003-20M	2380558	4.5 mm	3M (9.9ft)
95001-45008-30M	2324986	4.5 mm	3M (26.4ft)
95001-55008-20M	2386134	5.3 mm	8M (26.4ft)
95001-55008-30M	2385896	5.3 mm	8M (26.4ft)
95001-75003-20M	2385094	7.5 mm	3M (9.9ft)
95001-75003-30M	2385904	7.5 mm	3M (9.9ft)

#### VACUUM HOSE

PART NUMBER	H/C	INSIDE DIAMETER	ROLL LENGTH
95005-35008-10M	2325058	3.5 mm	8M (26.4ft)
95005-45008-10M	2325082	4.5 mm	8M (26.4ft)
95005-50003-30M	2380608	5.0 mm	3M (9.9ft)
95005-55008-10M	2386886	5.5 mm	8M (26.4ft)
95005-65003-20M	2380624	6.5 mm	3M (9.9ft)
95005-75003-10M	2380640	7.3 mm	3M (9.9ft)
95005-80008-10M	2325108	8.0 mm	8M (26.4ft)
95005-12003-10M	2380657	12.0 mm	3M (9.9ft)
95005-14003-20M	2380665	14.0 mm	3M (9.9ft)

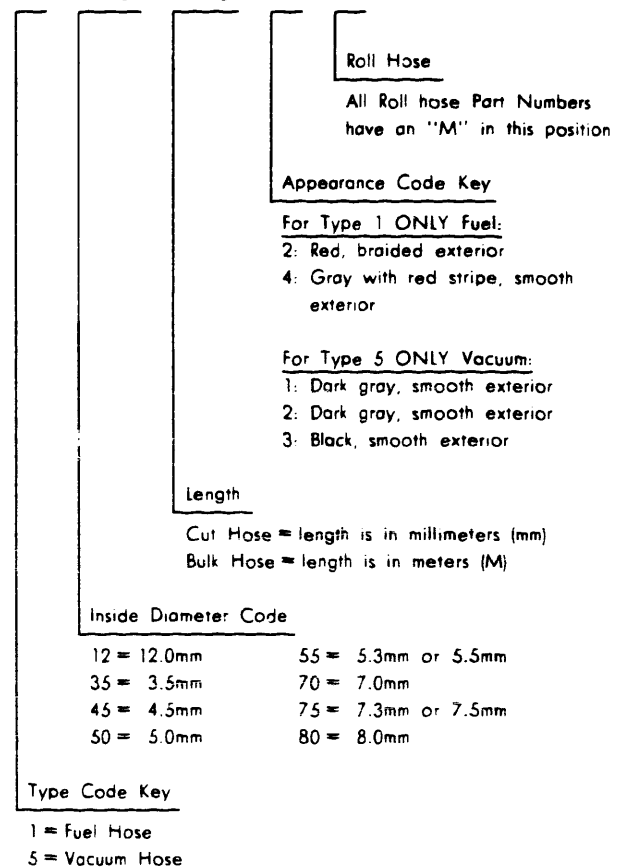
CAUTION: Damage to vacuum hose will result from contact with fuel. Do not use vacuum hose in place of fuel hose.

# Bulk Hose

## CONSTRUCTION OF FUEL AND VACUUM HOSE PART NUMBER

Part Number  
(Example)

9 5 0 0 1 - 7 5 0 0 8 - 4 0 M



CAUTION: Damage to vacuum hose will result from contact with fuel. Do not use vacuum hose in place of fuel hose.

**COMMONLY REQUIRED REPLACEMENT PARTS**

4 = VF700S'84 5 = VF700S'85		VF700S		AREA C O D E	SERIAL NUMBER		QTY R E Q	PART NUMBER	HONDA C O D E
		1 9 8 4	1 9 8 5		FROM	TO			
Ref. No.	DESCRIPTION	4	5						
	BATTERY (12V14) .....	4	5				1	31500-461-771	1053990
	BATTERY (12V14) .....	4	5				1	31500-461-772	1288521
	BATTERY ASSY. (YUASA) .....	4	5				1	31500-415-601	0905455
	BATTERY ASSY. (YUASA) .....	4	5				1	31500-415-671	0668244
	BATTERY ASSY. (YUASA) .....	4	5				1	31500-425-671	0742981
	BATTERY ASSY. (YUASA) .....	4	5				1	31500-425-677	1550631
	BULB, HEADLIGHT (H4 JA12V60/55W) .....	4	5				1	34901-MC7-601	1288612
	BULB, TAILLIGHT (12V27/7W 2057HD) .....	4	5				2	34906-MG9-771	1700301
	BULB, TAILLIGHT (12V 27/8W) .....	4	5				2	34906-341-671	0273540
	BULB, TURN SIGNAL (12V23/8W) (STANLEY) .....	4	5				2	34905-425-671	0824326
	BULB, TURN SIGNAL (12V 23W) .....	4	5				2	34905-268-671	0145318
	DISK, CLUTCH FRICTION .....	4	5				6	22201-MB0-003	1242551
	DISK, CLUTCH FRICTION .....	4	5				6	22201-MM5-000	3143401
	FILTER, OIL .....	4	5				1	15410-MJ0-C	1689611
	FILTER, OIL .....	4	5				1	15410-MJ0-004	3481355
	FUSE B (10A) .....	4					2	98200-21000	0562793
	FUSE B (15A) .....	4					5	98200-21500	0252387
	FUSE F (30A) .....	4	5				2	98200-53000	0412676
	FUSE, BLADE (10A) .....		5				7	98200-31000	1644228
	FUSE, BLADE (15A) .....		5				2	98200-31500	1644244
	GASKET SET .....	4	5	A			4	16010-MB0-671	1241736
	GASKET SET .....	4	5	A			4	16010-MB0-871	3516416
	GASKET SET .....	4	5	AC			4	16010-MB4-621	1426014
	GASKET SET .....	4	5	AC			4	16010-MB4-622	2249340
	GASKET SET .....	4	5	AC			4	16010-MB6-305	3911518
	GASKET SET .....	4	5	AC			4	16010-MB6-681	2076362
	GRIP, L. HANDLEBAR .....	4	5				1	53166-390-780	0483438
	GRIP, R. HANDLEBAR .....	4	5				1	53165-390-780	0483420
	HANDLEBAR .....	4	5				1	53100-MB0-950	1782218
	HANDLEBAR, COMP., R. ....	4	5				1	53175-MJ6-006	1776590

**COMMONLY REQUIRED REPLACEMENT PARTS**

4 = VF700S'84 5 = VF700S'85		VF700S		AREA C O D E	SERIAL NUMBER		QTY R E Q	PART NUMBER	HONDA C O D E
		1 9 8 4	1 9 8 5		FROM	TO			
Ref. No.	DESCRIPTION	4	5						
	HEADLIGHT UNIT .....	4	5				1	33120-ME5-670	1390517
	KEY, BLANK (TYPE 1) .....	4	5				(1)	35121-KW3-771	3029840
	KEY, BLANK (TYPE 1) .....	4	5				(1)	35121-MA6-811	1246750
	KEY, BLANK (TYPE 2) .....	4	5				(1)	35122-KW3-771	3029857
	KEY, BLANK (TYPE 2) .....	4	5				(1)	35122-MA6-811	1246768
	LENS, TURN SIGNAL .....	4	5				4	33402-MB1-003	1260397
	MIRROR, L. ....	4	5				1	88120-MB0-003	1250729
	MIRROR, R. ....	4	5				1	88110-MB0-003	1250703
	PLUG, SPARK (DPR7EA-9 NGK) .....	4	5				(2)	98069-57916	1103076
	PLUG, SPARK (DPR7EA-9 NGK) .....	4	5				(2)	98069-57916	1103076
	PLUG, SPARK (DPR8EA-9 NGK) .....	4	5				2	98069-58916	1103084
	PLUG, SPARK (DPR8EA-9 NGK) .....	4	5				2	98069-58916	1103084
	PLUG, SPARK (DPR9EA-9 NGK) .....	4	5				(2)	98069-59916	1103092
	PLUG, SPARK (DPR9EA-9 NGK) .....	4	5				(2)	98069-59916	1103092
	PLUG, SPARK (X22EPR-U9 ND) .....	4	5				(2)	98069-57926	1096817
	PLUG, SPARK (X22EPR-U9 ND) .....	4	5				(2)	98069-57926	1096817
	PLUG, SPARK (X24EPR-U9 ND) .....	4	5				2	98069-58926	1096825
	PLUG, SPARK (X24EPR-U9 ND) .....	4	5				2	98069-58926	1096825
	PLUG, SPARK (X27EPR-U9 ND) .....	4	5				(2)	98069-59926	1096833
	PLUG, SPARK (X27EPR-U9 ND) .....	4	5				(2)	98069-59926	1096833

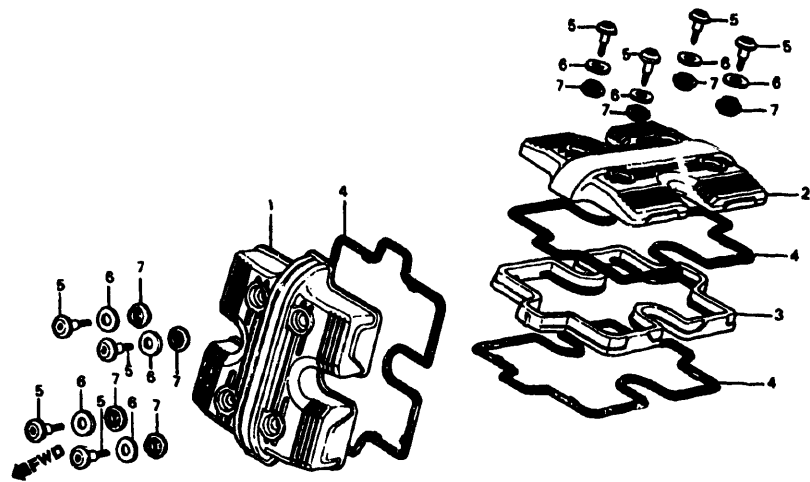
## CONTENTS BY PAGE NO. SEQUENCE

PAGE TITLE	PAGE	GRID	PAGE TITLE	PAGE	GRID
CYLINDER HEAD COVER .....	2	B1	FRAME .....	123	G11
FRONT CYLINDER HEAD .....	3	B1	TOOLS .....	126	H1
REAR CYLINDER HEAD .....	6	B3	STRIPE .....	128	H2
CAMSHAFT • VALVE .....	8	B4	CANISTER (AC) .....	132	H4
CAM CHAIN • TENSIONER .....	10	B5			
RIGHT CRANKCASE COVER .....	13	B6			
CLUTCH .....	14	B7			
PULSE ALTERNATOR • STARTER CLUTCH	16	B8			
ALTERNATOR .....	18	B9			
LEFT CRANKCASE COVER • WATER					
PUMP .....	20	B10			
STARTER MOTOR .....	22	B11			
OIL FILTER • OIL PAN • OIL PUMP .....	23	B11			
CYLINDER BLOCK .....	26	C1			
CRANKSHAFT • PISTON .....	30	C3			
TRANSMISSION .....	36	C6			
GEARSHIFT DRUM .....	38	C7			
WATER PIPE • THERMOSTAT .....	40	C8			
CROSS SHAFT .....	42	C9			
CARBURETOR ASSY. • CARBURETOR					
LINK .....	44	C10			
CARBURETOR COMPONENT .....	48	C12			
GASKET KIT A .....	50	D1			
GASKET KIT B .....	51	D1			
HEADLIGHT .....	54	E1			
INSTRUMENTS .....	56	E2			
CONTROL LEVER • SWITCHES • CABLES	59	E3			
FRONT BRAKE MASTER • CYLINDER .....	61	E4			
CLUTCH MASTER CYLINDER .....	64	E6			
HANDLEBAR • TOP BRIDGE .....	66	E7			
STEERING STEM • HORN .....	68	E8			
FRONT FENDER .....	70	E9			
FRONT SHOCK ABSORBER .....	71	E9			
FRONT BRAKE CALIPER .....	76	E12			
FRONT WHEEL .....	78	F1			
REAR BRAKE PANEL .....	80	F2			
REAR WHEEL .....	82	F3			
FINAL DRIVEN GEAR .....	84	F4			
FUEL TANK • FUEL VALVE .....	87	F5			
SEAT .....	90	F7			
SIDE COVER .....	92	F8			
BATTERY .....	95	F9			
AIR CLEANER .....	97	F10			
MUFFLER .....	100	F12			
BRAKE PEDAL • SHIFT PEDAL .....	102	G1			
STEP .....	104	G2			
STAND .....	106	G3			
SWINGARM .....	108	G4			
SHOCK ABSORBER .....	110	G5			
REAR FENDER • SPARK UNIT .....	112	G6			
TURN SIGNAL .....	114	G7			
TAILLIGHT .....	116	G8			
WIRE HARNESS • ELECTRIC PARTS .....	117	G8			
RADIATOR .....	120	G10			

## CONTENTS IN ALPHABETICAL ORDER

PAGE TITLE	PAGE	GRID	PAGE TITLE	PAGE	GRID
AIR CLEANER .....	97	F10	STARTER CLUTCH .....	16	B8
ALTERNATOR .....	18	B9	STARTER MOTOR .....	22	B11
BATTERY .....	95	F9	STEERING STEM .....	68	E8
BRAKE CALIPER, FR. ....	76	E12	STEP .....	104	G2
BRAKE MASTER, FR. ....	61	E4	STRIPE .....	128	H2
BRAKE PANEL, RR. ....	80	F2	SWINGARM .....	108	G4
BRAKE PEDAL .....	102	G1	SWITCHES .....	59	E3
CABLES .....	59	E3	TAILLIGHT .....	116	G8
CAM CHAIN .....	10	B5	TENSIONER .....	10	B5
CAMSHAFT .....	8	B4	THERMOSTAT .....	40	C8
CANISTER (AC) .....	132	H4	TOOLS .....	126	H1
CARBURETOR ASSY. ....	44	C10	TOP BRIDGE .....	66	E7
CARBURETOR COMPONENT .....	48	C12	TRANSMISSION .....	36	C6
CARBURETOR LINK .....	44	C10	TURN SIGNAL .....	114	G7
CLUTCH .....	14	B7	VALVE .....	8	B4
CLUTCH MASTER CYLINDER .....	64	E6	WATER PIPE .....	40	C8
CONTROL LEVER .....	59	E3	WATER PUMP .....	20	B10
CRANKCASE COVER, L. ....	20	B10	WHEEL, FR. ....	78	F1
CRANKCASE COVER, R. ....	13	B6	WHEEL, RR. ....	82	F3
CRANKSHAFT .....	30	C3	WIRE HARNESS .....	117	G8
CROSS SHAFT .....	42	C9			
CYLINDER .....	61	E4			
CYLINDER BLOCK .....	26	C1			
CYLINDER HEAD COVER .....	2	B1			
CYLINDER HEAD, FR. ....	3	B1			
CYLINDER HEAD, RR. ....	6	B3			
ELECTRIC PARTS .....	117	G8			
FENDER, FR. ....	70	E9			
FENDER, RR. ....	112	G6			
FINAL DRIVEN GEAR .....	84	F4			
FRAME .....	123	G11			
FUEL TANK .....	87	F5			
FUEL VALVE .....	87	F5			
GASKET KIT A .....	50	D1			
GASKET KIT B .....	51	D1			
GEARSHIFT DRUM .....	38	C7			
HANDLEBAR .....	66	E7			
HEADLIGHT .....	54	E1			
HORN .....	68	E8			
INSTRUMENTS .....	56	E2			
MUFFLER .....	100	F12			
OIL FILTER .....	23	B11			
OIL PAN .....	23	B11			
OIL PUMP .....	23	B11			
PISTON .....	30	C3			
PULSE ALTERNATOR .....	16	B8			
RADIATOR .....	120	G10			
SEAT .....	90	F7			
SHIFT PEDAL .....	102	G1			
SHOCK ABSORBER .....	110	G5			
SHOCK ABSORBER, FR. ....	71	E9			
SIDE COVER .....	92	F8			
SPARK UNIT .....	112	G6			
STAND .....	106	G3			

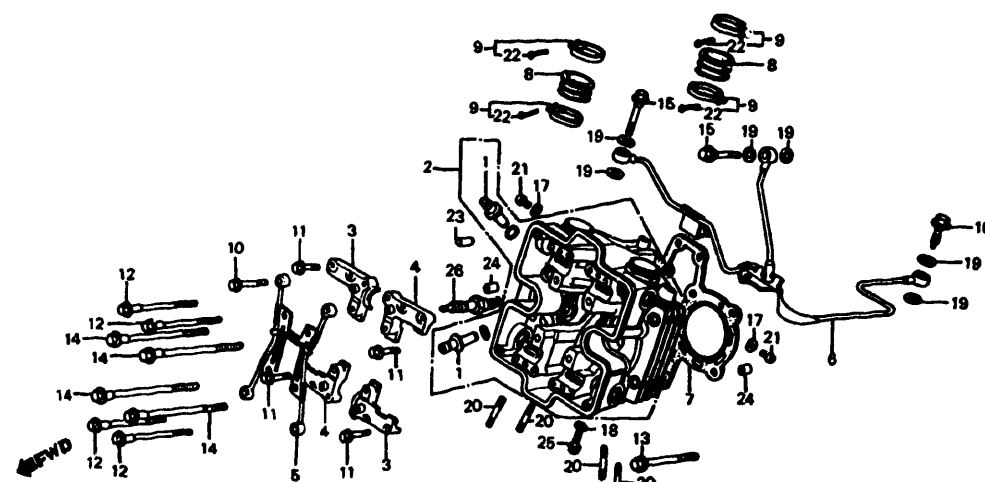
# CYLINDER HEAD COVER



E14MB0E01

Ref. No.	BLOCK NO. DESCRIPTION	E-1	VF700S		AREA CODE	ENGINE SERIAL NUMBER		QTY REQ	PART NUMBER	HONDA CODE
			84	85		FROM	TO			
4 = VF700S'84 5 = VF700S'85										
1	COVER A, CYLINDER HEAD	4	5					1	12311-MB0-000	1240985
2	COVER B, CYLINDER HEAD	4	5					1	12321-MB0-000	1240993
3	BASE, HEAD COVER	4	5					1	12341-MB0-000	1241009
4	GASKET, HEAD COVER	4	5					3	12391-MB0-000	1241017
	GASKET, HEAD COVER	4	5					3	12391-MB0-010	2094035
5	BOLT, SPECIAL, 6X29	4	5					8	90017-MB0-000	1243427
6	WASHER, MOUNTING RUBBER	4	5					8	90541-MB0-000	1243690
7	RUBBER, MOUNTING	4	5					8	90542-MB0-000	1243708

# FRONT CYLINDER HEAD



E14MB0E02

Ref. No.	BLOCK NO. DESCRIPTION	E-2	VF700S		AREA CODE	ENGINE SERIAL NUMBER		QTY REQ	PART NUMBER	HONDA CODE
			84	85		FROM	TO			
4 = VF700S'84 5 = VF700S'85										
1	GUIDE, EX. VALVE	4	5					8	12204-MB0-405	1390087
2	HEAD COMP., FR. CYLINDER	4						1	12210-MB0-771	1724277
	HEAD COMP., FR. CYLINDER	4	5					1	12210-MB0-772	1876291
	HEAD COMP., FR. CYLINDER	4	5					1	12210-MB0-773	2016814
	HEAD COMP., FR. CYLINDER	4	5					1	12210-MB0-774	2161370
	HEAD COMP., FR. CYLINDER	4	5					1	12210-MB0-775	2246726
3	HOLDER A, CAMSHAFT	4						2	12211-MB0-771	1455831
	HOLDER A, CAMSHAFT	4	5					2	12211-MB0-772	1853480
	HOLDER A, CAMSHAFT	4	5					2	12211-MB0-773	2001485
4	HOLDER B, CAMSHAFT	4						2	12212-MB0-771	1455849
	HOLDER B, CAMSHAFT	4						2	12212-MB0-772	1853498
	HOLDER B, CAMSHAFT	4	5					2	12212-MB0-773	2016830
5	PIPE A, OIL PATH	4					2103513	1	12230-MB0-000	1240951
				5			2103513	1	12230-MB0-000	1240951

© AMERICAN HONDA MOTOR CO., LTD. 1983 3

# CONTENTS

TITLE	PAGE	GRID
ALTERNATOR	18	B9
CAM CHAIN	10	B5
CAMSHAFT	8	B4
CARBURETOR ASSY.	44	C10
CARBURETOR COMPONENT	48	C12
CARBURETOR LINK	44	C10
CLUTCH	14	B7
CRANKCASE COVER, L.	20	B10
CRANKCASE COVER, R.	13	B6
CRANKSHAFT	30	C3
CROSS SHAFT	42	C9
CYLINDER BLOCK	26	C1
CYLINDER HEAD COVER	2	B1
CYLINDER HEAD, FR.	3	B1
CYLINDER HEAD, RR.	6	B3
GASKET KIT A	50	D1
GASKET KIT B	51	D1
GEARSHIFT DRUM	38	C7
OIL FILTER	23	B11
OIL PAN	23	B11
OIL PUMP	23	B11
PISTON	30	C3
PULSE ALTERNATOR	16	B8
STARTER CLUTCH	16	B8
STARTER MOTOR	22	B11
TENSIONER	10	B5
THERMOSTAT	40	C8
TRANSMISSION	36	C6
VALVE	8	B4
WATER PIPE	40	C8
WATER PUMP	20	B10

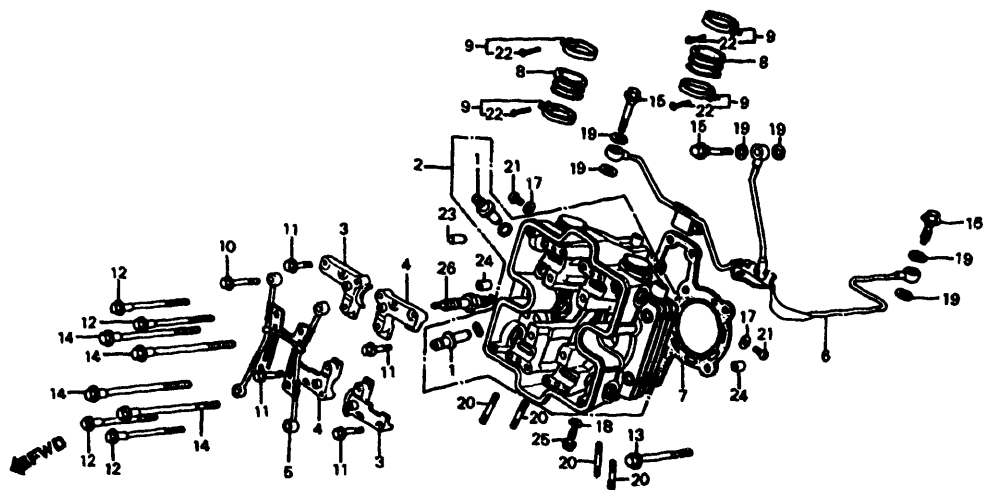
GRID

**B1**

VF700S'84 ENGINE NO.; RC22E-2000008 TO 2005978  
 VF700S'84 FRAME NO.; RC220-EM000007 TO EM005012  
 VF700S'84 ENGINE NO.; RC22E-2002575 TO 2006097  
 VF700S'84 FRAME NO.; RC221-EM000006 TO EM001081

VF700S'85 ENGINE NO.; RC22E-2100001 TO 2103668  
 VF700S'85 FRAME NO.; RC220-FM100001 TO FM102800  
 VF700S'85 ENGINE NO.; RC22E-2100001 TO 2103285  
 VF700S'85 FRAME NO.; RC221-FM100001 TO FM100863

# FRONT CYLINDER HEAD



E14MB0E02

Ref. No.	BLOCK NO. DESCRIPTION	VF700S		AREA CODE	ENGINE SERIAL NUMBER		QTY REQ	PART NUMBER	HONDA CODE
		84	85		FROM	TO			
4 = VF700S'84 5 = VF700S'85		V	V	A					
		F	F	R					
	5 PIPE A, OIL PATH	4	--		2103513		1	12230-MB0-010	2016863
		4	--				1	12230-MB0-010	2016863
		--	5		2103513		1	12230-MB0-010	2016863
		--	5		2103514		1	12230-MB0-010	2016863
	6 PIPE B, OIL PATH	4	5				1	12240-MB0-870	1780881
	PIPE B, OIL PATH	4	5				1	12240-MB0-871	3354651
	PIPE B, OIL PATH	4	5				1	12240-MN0-000	2523843
	7 GASKET, CYLINDER HEAD	4	5				1	12251-MB0-003	1240977
	8 INSULATOR, CARBURETOR	4	5				2	16211-MB0-000	1242106
	9 BAND, INSULATOR	4	5				4	16219-MB0-770	1312701
	10 BOLT, FLANGE, 6X52	4	5				4	90001-MB0-000	1243336
	11 BOLT, FLANGE, 6X54	4	5				4	90003-MB0-770	1292077
	12 BOLT, UBS, 8X151	4	5				4	90006-MB0-010	1762137
	13 BOLT, UBS, 9X91	4	5				4	90011-MB0-770	1292085
	14 BOLT, UBS, 9X177	4	--				4	90012-MB0-003	1243385
	BOLT, UBS, 9X177	--	5				4	90012-MB0-013	1854512
	15 BOLT, OIL	4	5				2	90025-MB0-771	1316975

VF700S'84 ENGINE NO.; RC22E-2000008 TO 2005978  
 VF700S'84 FRAME NO.; RC220-EM000007 TO EM005012  
 VF700S'84 ENGINE NO.; RC22E-2002575 TO 2006097  
 VF700S'84 FRAME NO.; RC221-EM000006 TO EM001081

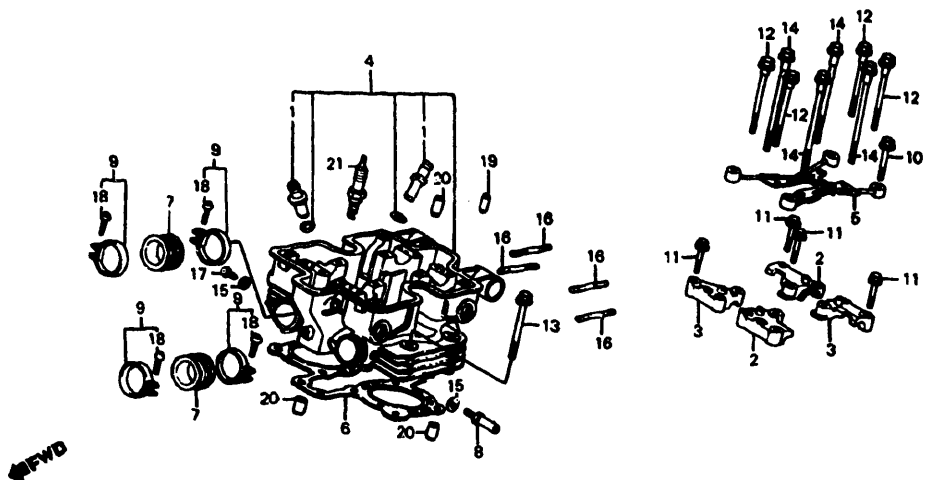
VF700S'85 ENGINE NO.; RC22E-2100001 TO 2103668  
 VF700S'85 FRAME NO.; RC220-FM100001 TO FM102800  
 VF700S'85 ENGINE NO.; RC22E-2100001 TO 2103285  
 VF700S'85 FRAME NO.; RC221-FM100001 TO FM100863

Ref. No.	BLOCK NO. DESCRIPTION	VF700S		AREA CODE	ENGINE SERIAL NUMBER		QTY REQ	PART NUMBER	HONDA CODE
		84	85		FROM	TO			
		V	V	A					
		F	F	R					
	16 BOLT, OIL CONTROL	4	5				1	90045-MB2-000	1539014
	17 WASHER, THRUST, 5MM	4	5				2	90452-323-000	0255224
	18 WASHER, SEALING, 6.5X12	4	5				1	90461-357-000	0350215
	19 WASHER, OIL BOLT	4	5				6	90545-300-000	0189902
	20 BOLT, STUD, 6X45	4	--				4	92700-06045	0156943
	BOLT, STUD, 6X32	4	--				4	92900-G6032-0B	2601912
	BOLT 2, STUD, 6X32	4	--				4	92900-06032-0E	2532687
	BOLT, STUD, 6X50	--	5				4	90063-235-000	0171454
	BOLT, STUD, 6X45	--	5				4	92700-06045-0E	0167163
	21 SCREW, PAN, 5X8	4	5				2	93500-05008-0G	0331363
	22 SCREW, PAN, 5X28	4	5				4	93500-05028-0G	0923821
	23 PIN A, DOWEL, 8X14	4	5				4	94301-08140	0069310
	24 PIN A, DOWEL, 12X20	4	5				6	94301-12200	0165324
	25 BOLT, FLANGE, 6X12	4	5				1	95700-06012-00	0487025
	BOLT, FLANGE, 6X12	4	5				1	95701-06012-00	2105799
	26 PLUG, SPARK (DPR7EA-9 NGK)	4	5				(2)	98069-57916	1103076
	PLUG, SPARK (X22EPR-U9 ND)	4	5				(2)	98069-57926	1096817
	PLUG, SPARK (DPR8EA-9 NGK)	4	5				2	98069-58916	1103084
	PLUG, SPARK (X24EPR-U9 ND)	4	5				2	98069-58926	1096825
	PLUG, SPARK (DPR9EA-9 NGK)	4	5				(2)	98069-59916	1103092
	PLUG, SPARK (X27EPR-U9 ND)	4	5				(2)	98069-59926	1096833

# CONTENTS

TITLE	PAGE	GRID
ALTERNATOR	18	B9
CAM CHAIN	10	B5
CAMSHAFT	8	B4
CARBURETOR ASSY.	44	C10
CARBURETOR COMPONENT	48	C12
CARBURETOR LINK	44	C10
CLUTCH	14	B7
CRANKCASE COVER, L	20	B10
CRANKCASE COVER, R	13	B6
CRANKSHAFT	30	C3
CROSS SHAFT	42	C9
CYLINDER BLOCK	26	C1
CYLINDER HEAD COVER	2	B1
CYLINDER HEAD, FR.	3	B1
CYLINDER HEAD, RR.	6	B3
GASKET KIT A	50	D1
GASKET KIT B	51	D1
GEARSHIFT DRUM	38	C7
OIL FILTER	23	B11
OIL PAN	23	B11
OIL PUMP	23	B11
PISTON	30	C3
PULSE ALTERNATOR	16	B8
STARTER CLUTCH	16	B8
STARTER MOTOR	22	B11
TENSIONER	10	B5
THERMOSTAT	40	C8
TRANSMISSION	36	C6
VALVE	8	B4
WATER PIPE	40	C8
WATER PUMP	20	B10

# REAR CYLINDER HEAD



E14MB0E0201

Ref. No.	BLOCK NO. E-2-1	DESCRIPTION	VF700S		AREA CODE	ENGINE SERIAL NUMBER		QTY REQ	PART NUMBER	HONDA CODE
			84	85		FROM	TO			
4 = VF700S'84 5 = VF700S'85										
1		GUIDE, EX. VALVE	4	5				8	12204-MB0-405	1390087
2		HOLDER A, CAMSHAFT	4					2	12211-MB0-771	1455831
		HOLDER A, CAMSHAFT	4	5				2	12211-MB0-772	1853480
		HOLDER A, CAMSHAFT	4	5				2	12211-MB0-773	2001485
3		HOLDER B, CAMSHAFT	4					2	12212-MB0-771	1455849
		HOLDER B, CAMSHAFT	4					2	12212-MB0-772	1853498
		HOLDER B, CAMSHAFT	4	5				2	12212-MB0-773	2016830
4		HEAD COMP., RR. CYLINDER	4					1	12220-MB0-770	1289073
		HEAD COMP., RR. CYLINDER		5				1	12220-MB0-771	1876309
5		PIPE A, OIL PATH	4					1	12230-MB0-000	1240951
		PIPE A, OIL PATH		5			2103513	1	12230-MB0-000	1240951
		PIPE A, OIL PATH	4					1	12230-MB0-010	2016863
		PIPE A, OIL PATH		5			2103513	1	12230-MB0-010	2016863
		PIPE A, OIL PATH		5		2103514		1	12230-MB0-010	2016863
6		GASKET, CYLINDER HEAD	4	5				1	12251-MB0-003	1240977
7		INSULATOR, CARBURETOR	4	5				2	16211-MB0-000	1242106
8		JOINT, BOOST	4	5				1	16214-MB0-000	1244193

VF700S'84 ENGINE NO.; RC22E-2000008 TO 2005978  
 VF700S'84 FRAME NO.; RC220-EM000007 TO EM005012  
 VF700S'84 ENGINE NO.; RC22E-2002575 TO 2006097  
 VF700S'84 FRAME NO.; RC221-EM000006 TO EM001081

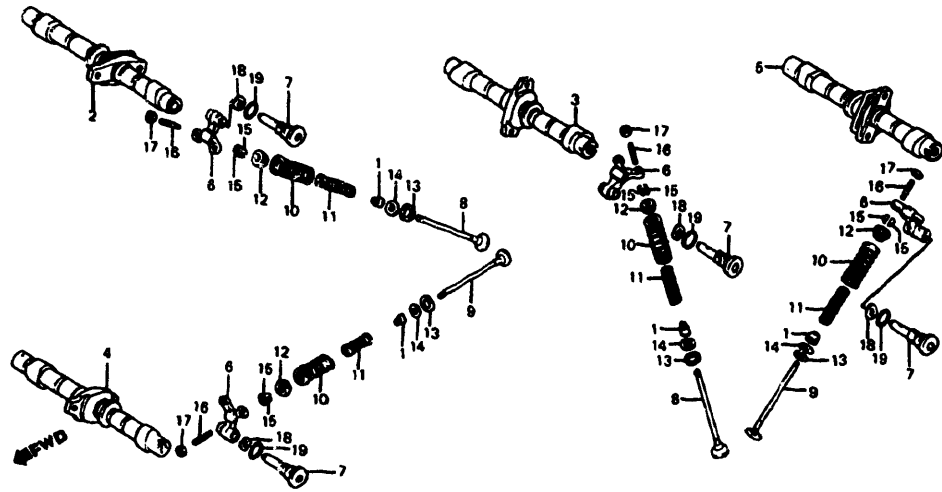
VF700S'85 ENGINE NO.; RC22E-2100001 TO 2103668  
 VF700S'85 FRAME NO.; RC220-FM100001 TO FM102800  
 VF700S'85 ENGINE NO.; RC22E-2100001 TO 2103285  
 VF700S'85 FRAME NO.; RC221-FM100001 TO FM100863

Ref. No.	BLOCK NO. E-2-1	DESCRIPTION	VF700S		AREA CODE	ENGINE SERIAL NUMBER		QTY REQ	PART NUMBER	HONDA CODE
			84	85		FROM	TO			
4 = VF700S'84 5 = VF700S'85										
9		BAND, INSULATOR	4	5				4	16219-MB0-770	1312701
10		BOLT, FLANGE, 6X52	4	5				4	90001-MB0-000	1243336
11		BOLT, FLANGE, 6X54	4	5				4	90003-MB0-770	1292077
12		BOLT, UBS, 8X151	4	5				4	90006-MB0-010	1762137
13		BOLT, UBS, 9X91	4	5				4	90011-MB0-770	1292085
14		BOLT, UBS, 9X177	4					4	90012-MB0-003	1243385
		BOLT, UBS, 9X177		5				4	90012-MB0-013	1854512
15		WASHER, THRUST, 5MM	4	5				2	90452-323-000	0255224
16		BOLT, STUD, 6X45	4					4	92700-06045	0156943
		BOLT, STUD, 6X32	4					4	92900-06032-0B	2601912
		BOLT 2, STUD, 6X32	4					4	92900-06032-0E	2532687
		BOLT, STUD, 6X50		5				4	90063-235-000	0171454
		BOLT, STUD, 6X45		5				4	92700-06045-0E	0167163
17		SCREW, PAN, 5X8	4	5				1	93500-05008-0G	0331363
18		SCREW, PAN, 5X28	4	5				4	93500-05028-0G	0923821
19		PIN A, DOWEL, 8X14	4	5				4	94301-08140	0069310
20		PIN A, DOWEL, 12X20	4	5				6	94301-12200	0165324
21		PLUG, SPARK (DPR7EA-9 NGK)	4	5				(2)	98069-57916	1103076
		PLUG, SPARK (X22EPR-U9 ND)	4	5				(2)	98069-57926	1096817
		PLUG, SPARK (DPR8EA-9 NGK)	4	5				2	98069-58916	1103084
		PLUG, SPARK (X24EPR-U9 ND)	4	5				2	98069-58926	1096825
		PLUG, SPARK (DPR9EA-9 NGK)	4	5				(2)	98069-59916	1103092
		PLUG, SPARK (X27EPR-U9 ND)	4	5				(2)	98069-59926	1096833

# CONTENTS

TITLE	PAGE	GRID
ALTERNATOR	18	B9
CAM CHAIN	10	B5
CAMSHAFT	8	B4
CARBURETOR ASSY.	44	C10
CARBURETOR COMPONENT	48	C12
CARBURETOR LINK	44	C10
CLUTCH	14	B7
CRANKCASE COVER, L	20	B10
CRANKCASE COVER, R	13	B6
CRANKSHAFT	30	C3
CROSS SHAFT	42	C9
CYLINDER BLOCK	26	C1
CYLINDER HEAD COVER	2	B1
CYLINDER HEAD, FR.	3	B1
CYLINDER HEAD, RR.	6	B3
GASKET KIT A	50	D1
GASKET KIT B	51	D1
GEARSHIFT DRUM	38	C7
OIL FILTER	23	B11
OIL PAN	23	B11
OIL PUMP	23	B11
PISTON	30	C3
PULSE ALTERNATOR	16	B8
STARTER CLUTCH	16	B8
STARTER MOTOR	22	B11
TENSIONER	10	B5
THERMOSTAT	40	C8
TRANSMISSION	36	C6
VALVE	8	B4
WATER PIPE	40	C8
WATER PUMP	20	B10

# CAMSHAFT • VALVE



E14MB0E03

Ref. No.	BLOCK NO. DESCRIPTION	E-3	VF700S		AREA CODE	ENGINE SERIAL NUMBER		QTY REQ	PART NUMBER	HONDA CODE
			4	5		FROM	TO			
4 = VF700S'84 5 = VF700S'85										
1	SEAL, VALVE STEM		4	5				16	12209-422-005	0688887
2	CAMSHAFT COMP., FR. IN.		4					1	14111-MB0-870	1789239
	CAMSHAFT COMP., FR. IN.		4	5				1	14111-MB0-872	1876317
	CAMSHAFT COMP., FR. IN.		4	5				1	14111-MB0-873	2017085
	CAMSHAFT COMP., FR. IN.		4	5				1	14111-MB0-874	2048577
3	CAMSHAFT COMP., RR. IN.		4					1	14121-MB0-870	1789247
	CAMSHAFT COMP., RR. IN.		4	5				1	14121-MB0-872	1876325
	CAMSHAFT COMP., RR. IN.		4	5				1	14121-MB0-873	2017093
	CAMSHAFT COMP., RR. IN.		4	5				1	14121-MB0-874	2044246
4	CAMSHAFT COMP., FR. EX.		4					1	14131-MB0-870	1789254
	CAMSHAFT COMP., FR. EX.		4	5				1	14131-MB0-872	1876333
	CAMSHAFT COMP., FR. EX.		4	5				1	14131-MB0-873	2017101
	CAMSHAFT COMP., FR. EX.		4	5				1	14131-MB0-874	2044253
5	CAMSHAFT COMP., RR. EX.		4					1	14141-MB0-870	1789262
	CAMSHAFT COMP., RR. EX.		4	5				1	14141-MB0-872	1876341
	CAMSHAFT COMP., RR. EX.		4	5				1	14141-MB0-873	2017119

© AMERICAN HONDA MOTOR CO., LTD. 1993

Ref. No.	BLOCK NO. DESCRIPTION	E-3	VF700S		AREA CODE	ENGINE SERIAL NUMBER		QTY REQ	PART NUMBER	HONDA CODE
			4	5		FROM	TO			
4 = VF700S'84 5 = VF700S'85										
5	CAMSHAFT COMP., RR. EX.		4	5				1	14141-MB0-874	2044261
6	ARM, VALVE ROCKER		4	5				8	14611-MB0-000	1241595
7	SHAFT, VALVE ROCKER ARM		4	5				8	14631-KE8-000	1289271
8	VALVE, IN.		4	5				8	14711-MB2-000	1426915
9	VALVE, EX.		4	5				8	14721-MB2-000	1426949
10	SPRING, VALVE OUTER		4	5				16	14751-MB1-871	1724293
11	SPRING, VALVE INNER		4	5				16	14761-MB1-871	1724301
12	RETAINER, VALVE SPRING		4	5				16	14771-MB6-000	1741347
13	SEAT, VALVE SPRING OUTER		4	5				16	14775-422-000	0689018
14	SEAT, VALVE SPRING INNER		4	5				16	14776-MB0-770	1289420
15	COTTER, VALVE		4	5				32	14781-MB4-000	1416932
16	SCREW, TAPPET ADJUSTING		4	5				16	90002-MB1-870	1724319
17	NUT, TAPPET ADJUSTING		4	5				16	90206-590-000	0347815
18	WASHER, WAVE, 12MM		4	5				8	90402-428-000	0684878
19	O-RING, 21.5X2		4	5				8	91310-KE8-003	1425602

© AMERICAN HONDA MOTOR CO., LTD. 1993

VF700S'84 ENGINE NO.; RC22E-2000008 TO 2005978  
 VF700S'84 FRAME NO.; RC220-EM000007 TO EM005012  
 VF700S'84 ENGINE NO.; RC22E-2002575 TO 2006097  
 VF700S'84 FRAME NO.; RC221-EM000006 TO EM001081

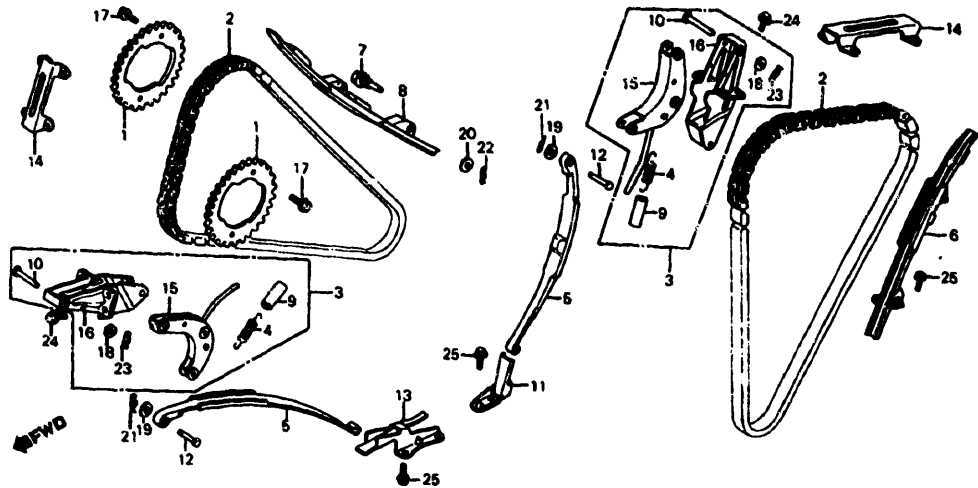
VF700S'85 ENGINE NO.; RC22E-2100001 TO 2103668  
 VF700S'85 FRAME NO.; RC220-FM100001 TO FM102800  
 VF700S'85 ENGINE NO.; RC22E-2100001 TO 2103285  
 VF700S'85 FRAME NO.; RC221-FM100001 TO FM100863

# CONTENTS

TITLE	PAGE	GRID
ALTERNATOR	18	B9
CAM CHAIN	10	B5
CAMSHAFT	8	B4
CARBURETOR ASSY.	44	C10
CARBURETOR COMPONENT	48	C12
CARBURETOR LINK	44	C10
CLUTCH	14	B7
CRANKCASE COVER, L	20	B10
CRANKCASE COVER, R	13	B6
CRANKSHAFT	30	C3
CROSS SHAFT	42	C9
CYLINDER BLOCK	26	C1
CYLINDER HEAD COVER	2	B1
CYLINDER HEAD, FR.	3	B1
CYLINDER HEAD, RR.	6	B3
GASKET KIT A	50	D1
GASKET KIT B	51	D1
GEARSHIFT DRUM	38	C7
OIL FILTER	23	B11
OIL PAN	23	B11
OIL PUMP	23	B11
PISTON	30	C3
PULSE ALTERNATOR	16	B8
STARTER CLUTCH	16	B8
STARTER MOTOR	22	B11
TENSIONER	10	B5
THERMOSTAT	40	C8
TRANSMISSION	36	C6
VALVE	8	B4
WATER PIPE	40	C8
WATER PUMP	20	B10



# CAM CHAIN • TENSIONER



E14MB0F04

Ref. No.	BLOCK NO. DESCRIPTION	E-4	VF700S		AREA CODE	ENGINE SERIAL NUMBER		QTY REQ	PART NUMBER	HONDA CODE
			4	5		FROM	TO			
	4 = VF700S'84 5 = VF700S'85									
1	SPROCKET, CAM		4	5				4	14321-MB0-000	1241405
2	CHAIN, CAM		4	5				2	14401-MB0-003	1241413
3	BRACKET ASSY., CAM CHAIN TENSIONER		4	5				2	14510-MB0-870	1708049
	BRACKET ASSY., CAM CHAIN TENSIONER						2103596	2	14510-MB0-870	1708049
	BRACKET ASSY., CAM CHAIN TENSIONER		4	5				2	14510-MK3-000	2017184
	BRACKET ASSY., CAM CHAIN TENSIONER						2103596	2	14510-MK3-000	2017184
	BRACKET ASSY., CAM CHAIN TENSIONER		4	5				2	14510-MB0-871	1961861
	BRACKET ASSY., CAM CHAIN TENSIONER						2103596	2	14510-MB0-871	1961861
	BRACKET ASSY., CAM CHAIN TENSIONER		4	5				2	14510-MB0-872	2746999
	BRACKET ASSY., CAM CHAIN TENSIONER						2103596	2	14510-MB0-872	2746999
	BRACKET ASSY., CAM CHAIN TENSIONER		4	5				2	14510-MB0-873	2737831
	BRACKET ASSY., CAM CHAIN TENSIONER						2103596	2	14510-MB0-873	2737831
	BRACKET ASSY., CAM CHAIN TENSIONER		4	5				2	14510-MB0-874	2585347
	BRACKET ASSY., CAM CHAIN TENSIONER						2103596	2	14510-MB0-874	2585347

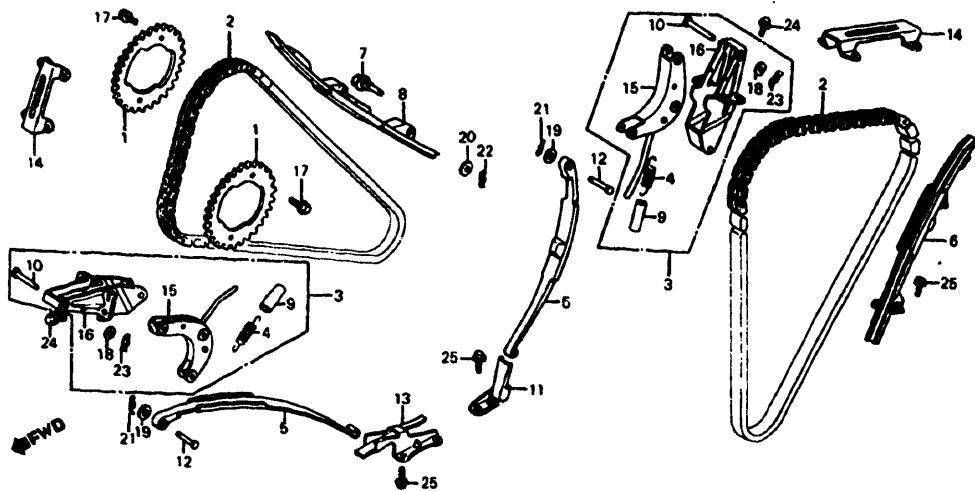
Ref. No.	BLOCK NO. DESCRIPTION	E-4	VF700S		AREA CODE	ENGINE SERIAL NUMBER		QTY REQ	PART NUMBER	HONDA CODE
			4	5		FROM	TO			
	4 = VF700S'84 5 = VF700S'85									
3	BRACKET ASSY., CAM CHAIN TENSIONER		4	5				2	14510-MB0-000	2524320
	BRACKET ASSY., CAM CHAIN TENSIONER						2103596	2	14510-MB0-000	2524320
4	SPRING, TENSIONER		4	5				2	14514-MB0-000	1241447
5	TENSIONER, CAM CHAIN		4	5				2	14515-MB0-000	1241454
	TENSIONER, CAM CHAIN		4	5				2	14515-MB0-010	2247005
6	GUIDE COMP. A, CAM CHAIN		4	5				1	14520-MB0-000	1241488
7	BOLT, CAM CHAIN GUIDE A		4	5				1	14521-MB0-000	1241496
8	GUIDE A, CAM CHAIN		4	5				1	14522-MB0-003	1241504
9	TUBE, TENSIONER SPRING		4	5				2	14525-MB0-010	1707785
	TUBE, TENSIONER SPRING		4	5				2	14525-MB0-020	2524353
10	PIN, 8X43.2		4	5				2	14526-MB0-000	1241520
11	HOLDER ASSY. A, CAM CHAIN TENSIONER		4	5				1	14530-MB0-000	1241538
12	PIN A, ARM		4	5				2	14533-MB0-000	1241546
13	HOLDER ASSY. B, CAM CHAIN TENSIONER		4	5				1	14540-MB0-870	1724327
14	GUIDE B, CAM CHAIN		4	5				2	14541-MB0-000	1241561
15	ARM COMP., CAM CHAIN TENSIONER		4	5				2	14550-MB0-870	1708056
	ARM COMP., CAM CHAIN TENSIONER		4	5				2	14550-MB0-871	2247021
16	BRACKET COMP., CAM CHAIN TENSIONER HOLDER		4	5				2	14560-MB0-870	1780956
	BRACKET COMP., CAM CHAIN TENSIONER HOLDER		4	5				2	14560-MB0-871	2011245
	BRACKET COMP., CAM CHAIN TENSIONER HOLDER		4	5				2	14560-MB0-872	2247039
	BRACKET COMP., CAM CHAIN TENSIONER HOLDER		4	5				2	14560-MB0-873	2585362
17	BOLT, UBS, 7X15		4	5				8	90026-ME9-000	1370915
	BOLT, UBS, 7X15		4	5				8	90026-MM8-000	2566990
18	WASHER, 8MM		4	5				2	90405-463-000	0886168
19	WASHER, 6MM		4	5				2	90485-KE8-000	1768571
20	WASHER, 7MM		4	5				1	90486-MB0-000	1243658
21	PIN, SPECIAL LOCK, 6MM		4	5				2	90704-MB0-000	1243740
22	PIN, LOCK, 6MM		4	5				1	94251-06000	0058487

CONTENTS		
TITLE	PAGE	GRID
ALTERNATOR	18	B9
CAM CHAIN	10	B5
CAMSHAFT	8	B4
CARBURETOR ASSY.	44	C10
CARBURETOR COMPONENT	48	C12
CARBURETOR LINK	44	C10
CLUTCH	14	B7
CRANKCASE COVER, L	20	B10
CRANKCASE COVER, R	13	B6
CRANKSHAFT	30	C3
CROSS SHAFT	42	C9
CYLINDER BLOCK	26	C1
CYLINDER HEAD COVER	2	B1
CYLINDER HEAD, FR.	3	B1
CYLINDER HEAD, RR.	6	B3
GASKET KIT A	50	D1
GASKET KIT B	51	D1
GEARSHIFT DRUM	38	C7
OIL FILTER	23	B11
OIL PAN	23	B11
OIL PUMP	23	B11
PISTON	30	C3
PULSE ALTERNATOR	16	B8
STARTER CLUTCH	16	B8
STARTER MOTOR	22	B11
TENSIONER	10	B5
THERMOSTAT	40	C8
TRANSMISSION	36	C6
VALVE	8	B4
WATER PIPE	40	C8
WATER PUMP	20	B10

VF700S'84 ENGINE NO.; RC22E-2000008 TO 2005978  
 VF700S'84 FRAME NO.; RC220-EM000007 TO EM005012  
 VF700S'84 ENGINE NO.; RC22E-2002575 TO 2006097  
 VF700S'84 FRAME NO.; RC221-EM000006 TO EM001081

VF700S'85 ENGINE NO.; RC22E-2100001 TO 2103668  
 VF700S'85 FRAME NO.; RC220-FM100001 TO FM102800  
 VF700S'85 ENGINE NO.; RC22E-2100001 TO 2103285  
 VF700S'85 FRAME NO.; RC221-FM100001 TO FM100863

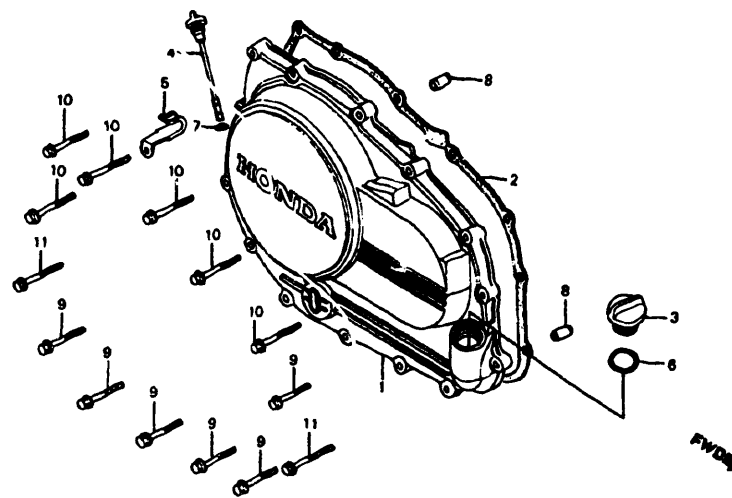
# CAM CHAIN • TENSIONER



E14MB0E04

Ref. No.	BLOCK NO. DESCRIPTION	VF700S		AREA CODE	ENGINE SERIAL NUMBER		QTY REQ	PART NUMBER	HONDA CODE
		84	85		FROM	TO			
	4 = VF700S'84 5 = VF700S'85	V	V	A					
		8	8	4					
		4	5	5					
23	PIN, LOCK, 8MM	4	5		-----	-----	2	94251-08000	0115527
24	BOLT, FLANGE, 6X16	4	5		-----	-----	8	95700-06016-00	0496653
	BOLT, FLANGE, 6X16	4	5		-----	-----	8	95701-06016-00	2410892
25	BOLT, FLANGE, 6X14	4	5		-----	-----	8	96000-06014-00	0782854
	BOLT, FLANGE, 6X14	4	5		-----	-----	8	96001-06014-00	2154672

# RIGHT CRANKCASE COVER



E14MB0E05

Ref. No.	BLOCK NO. DESCRIPTION	VF700S		AREA CODE	ENGINE SERIAL NUMBER		QTY REQ	PART NUMBER	HONDA CODE
		84	85 <th>FROM</th> <th>TO</th>		FROM	TO			
	4 = VF700S'84 5 = VF700S'85	V	V	A					
		8	8	4					
		4	5	5					
1	COVER ASSY., R. CRANKCASE	4	5		-----	-----	1	11330-MB0-770	1288828
2	GASKET, R. COVER	4	5		-----	-----	1	11394-MB0-000	1240860
3	CAP, OIL FILTER	4	5		-----	-----	1	15611-MB0-000	1241728
4	GAUGE, OIL LEVEL	4	5		-----	-----	1	15650-MB0-770	1289453
5	CLAMP, PULSER CORD	4	5		-----	-----	1	30301-MB0-000	1243070
6	O-RING, 22X3.0	4	5		-----	-----	1	91301-250-000	0035287
	O-RING, 22X3.0	4	5		-----	-----	1	91307-425-003	1216126
7	O-RING, 8.4X2.4	4	5		-----	-----	1	91316-MJ8-003	1768746
8	PIN A, DOWEL, 8X14	4	5		-----	-----	2	94301-08140	0069310
9	BOLT, FLANGE, 6X28	4	5		-----	-----	6	96000-06028-07	0807339
	BOLT, FLANGE, 6X28	4	5		-----	-----	6	96001-06028-07	2106011
10	BOLT, FLANGE, 6X32	4	5		-----	-----	6	96000-06032-07	1292242
	BOLT, FLANGE, 6X32	4	5		-----	-----	6	96001-06032-07	2458750
11	BOLT, FLANGE, 6X35	4	5		-----	-----	2	96000-06035-07	0807362
	BOLT, FLANGE, 6X35	4	5		-----	-----	2	96001-06035-07	2533891

© AMERICAN HONDA MOTOR CO. LTD. 1993 13

# CONTENTS

TITLE	PAGE	GRID
ALTERNATOR	18	B5
CAM CHAIN	10	B5
CAMSHAFT	8	B4
CARBURETOR ASSY.	44	C10
CARBURETOR COMPONENT	48	C12
CARBURETOR LINK	44	C10
CLUTCH	14	B7
CRANKCASE COVER, L	20	B10
CRANKCASE COVER, R	13	B6
CRANKSHAFT	30	C3
CROSS SHAFT	42	C9
CYLINDER BLOCK	26	C1
CYLINDER HEAD COVER	2	B1
CYLINDER HEAD, FR.	3	B1
CYLINDER HEAD, RR.	6	B3
GASKET KIT A	50	D1
GASKET KIT B	51	D1
GEARSHIFT DRUM	38	C7
OIL FILTER	23	B11
OIL PAN	23	B11
OIL PUMP	23	B11
PISTON	30	C3
PULSE ALTERNATOR	16	B8
STARTER CLUTCH	16	B8
STARTER MOTOR	22	B11
TENSIONER	10	B5
THERMOSTAT	40	C8
TRANSMISSION	36	C6
VALVE	8	B4
WATER PIPE	40	C8
WATER PUMP	20	B10

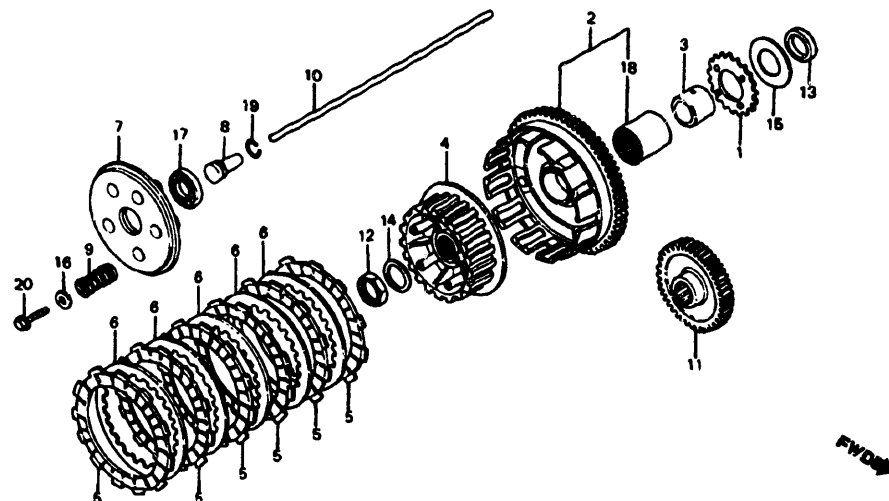
GRID

**B6**

VF700S'84 ENGINE NO.; RC22E-2000008 TO 2005978  
 VF700S'84 FRAME NO.; RC220-EM000007 TO EM005012  
 VF700S'84 ENGINE NO.; RC22E-2002575 TO 2006097  
 VF700S'84 FRAME NO.; RC221-EM000006 TO EM001081

VF700S'85 ENGINE NO.; RC22E-2100001 TO 2103668  
 VF700S'85 FRAME NO.; RC220-FM100001 TO FM102800  
 VF700S'85 ENGINE NO.; RC22E-2100001 TO 2103285  
 VF700S'85 FRAME NO.; RC221-FM100001 TO FM100863

# CLUTCH



E14MB0E06

Ref. No.	BLOCK NO. DESCRIPTION	VF700S		AREA CODE	ENGINE SERIAL NUMBER		QTY REQ	PART NUMBER	HONDA CODE
		84	85		FROM	TO			
4 = VF700S'84 5 = VF700S'85									
1	SPROCKET, OIL PUMP DRIVE (26T) ...	4	5				1	15131-MB0-000	1241645
2	OUTER COMP., CLUTCH	4	5				1	22100-MB0-870	1781558
	OUTER COMP., CLUTCH	4	5				1	22100-MB0-871	2155687
3	GUIDE, CLUTCH OUTER	4	5				1	22116-MB0-000	1242536
4	CENTER, CLUTCH	4	5				1	22120-MB1-770	1442144
	CENTER, CLUTCH	4	5				1	22120-MN0-000	2525442
5	DISK, CLUTCH FRICTION	4	5				6	22201-MB0-003	1242551
	DISK, CLUTCH FRICTION	4	5				6	22201-MM5-000	3143401
6	PLATE, CLUTCH	4	5				5	22321-MG8-000	2045615
	PLATE B, CLUTCH	4	5				5	22321-283-000	0075705
7	PLATE, CLUTCH PRESSURE	4	5				1	22350-MB0-003	1242569
8	PIECE, CLUTCH JOINT	4	5				1	22366-MB0-000	1242577
9	SPRING, CLUTCH	4	5				5	22401-MB0-000	1242585
10	ROD, CLUTCH LIFTER	4	5				1	22850-MB0-000	1242593
11	GEAR, PRIMARY DRIVE	4	5				1	23103-MB0-870	1781574
12	NUT, LOCK, 22MM	4	5				1	90201-MB0-770	1375450

14 © AMERICAN HONDA MOTOR CO. LTD. 1983

Ref. No.	BLOCK NO. DESCRIPTION	VF700S		AREA CODE	ENGINE SERIAL NUMBER		QTY REQ	PART NUMBER	HONDA CODE
		84	85		FROM	TO			
4 = VF700S'84 5 = VF700S'85									
13	COLLAR, 25.2X7	4	5				1	90203-MB0-000	1243542
14	WASHER, SPRING, 22MM	4	5				1	90432-MB0-000	1243583
	WASHER, SPRING, 22MM	4	5				1	90432-MB0-010	2408615
15	WASHER, THRUST, 25MM	4	5				1	90459-MB0-000	1243641
16	WASHER, 6X19	4	5				5	90481-259-000	0040220
17	BEARING, RADIAL BALL, 16003	4	5				1	91008-KK6-000	2043123
	BEARING, RADIAL BALL, 16003	4	5				1	91008-362-000	0334854
	BEARING, RADIAL BALL, 16003	4	5				1	91010-HC0-003	2519544
18	BEARING, NEEDLE, 35X42X30 (TOYO)	4	5				1	91024-MB0-003	1243807
	BEARING, NEEDLE, 35X42X30 (NIPPON)	4	5				1	91024-MB0-004	1243815
19	CLIP, PISTON PIN, 15MM	4	5				1	94601-15000	0156018
20	BOLT, FLANGE, 6X20	4	5				5	95701-06020-08	2374759
	BOLT, FLANGE, 6X20	4	5				5	95718-06020-08	1243997

B7

© AMERICAN HONDA MOTOR CO. LTD. 1983 15

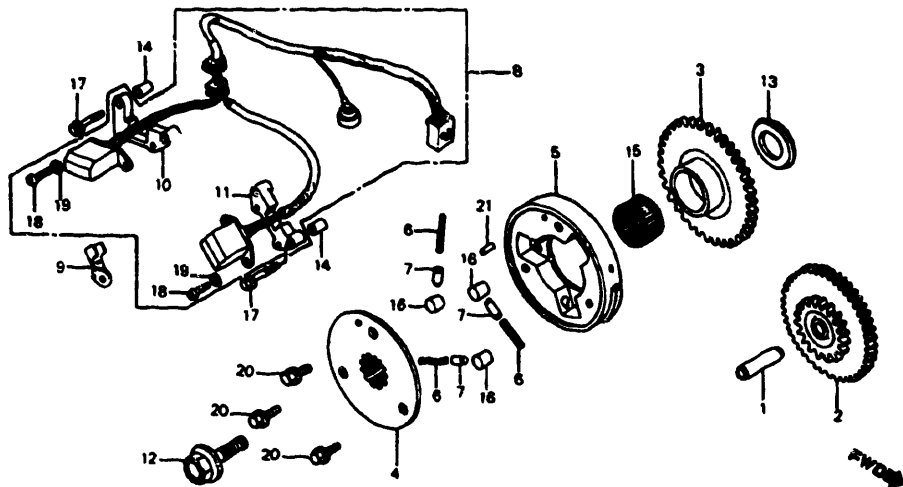
VF700S'84 ENGINE NO.; RC22E-2000008 TO 2005978  
 VF700S'84 FRAME NO.; RC220-EM000007 TO EM005012  
 VF700S'84 ENGINE NO.; RC22E-2002575 TO 2006097  
 VF700S'84 FRAME NO.; RC221-EM000006 TO EM001081

VF700S'85 ENGINE NO.; RC22E-2100001 TO 2103668  
 VF700S'85 FRAME NO.; RC220-FM100001 TO FM102800  
 VF700S'85 ENGINE NO.; RC22E-2100001 TO 2103285  
 VF700S'85 FRAME NO.; RC221-FM100001 TO FM100863

# CONTENTS

TITLE	PAGE	GRID
ALTERNATOR	18	B9
CAM CHAIN	10	B5
CAMSHAFT	8	B4
CARBURETOR ASSY.	44	C10
CARBURETOR COMPONENT	48	C12
CARBURETOR LINK	44	C10
CLUTCH	14	B7
CRANKCASE COVER L	20	B10
CRANKCASE COVER R	13	B6
CRANKSHAFT	30	C3
CROSS SHAFT	42	C9
CYLINDER BLOCK	26	C1
CYLINDER HEAD COVER	2	B1
CYLINDER HEAD FR	3	B1
CYLINDER HEAD RR	6	B3
GASKET KIT A	50	D1
GASKET KIT B	51	D1
GEARSHIFT DRUM	38	C7
OIL FILTER	23	B11
OIL PAN	23	B11
OIL PUMP	23	B11
PISTON	30	C3
PULSE ALTERNATOR	16	B8
STARTER CLUTCH	16	B8
STARTER MOTOR	22	B11
TENSIONER	10	B5
THERMOSTAT	40	C8
TRANSMISSION	36	C6
VALVE	8	B4
WATER PIPE	40	C8
WATER PUMP	20	B10

# PULSE ALTERNATOR • STARTER CLUTCH



E14MB0E07

Ref. No.	BLOCK NO. DESCRIPTION	VF700S		AREA CODE	ENGINE SERIAL NUMBER		QTY REQ	PART NUMBER	HONDA CODE
		8	5		FROM	TO			
4 = VF700S'84 5 = VF700S'85		8	5						
1	PIN, PISTON, 10X33	4	5			1	13111-GK8-000	1709104	
	PIN, PISTON	4	5			1	13111-GS7-000	2754323	
	PIN, PISTON, 10X33	4	5			1	13111-122-000	0360024	
2	GEAR, STARTER REDUCTION (21T/82T)	4	5			1	28101-MB0-000	1243013	
3	GEAR COMP., STARTER CLUTCH	4	5			1	28110-MB0-000	1243021	
	GEAR COMP., STARTING CLUTCH (48T)	4	5			1	28110-MB0-010	2019503	
4	FLANGE, STARTER CLUTCH	4	5			1	28115-MB0-000	1243039	
5	OUTER COMP., STARTER CLUTCH	4	5			1	28120-MB1-870	1724848	
6	SPRING, STARTING CLUTCH ROLLER	4	5			3	28125-516-030	0192708	
7	CAP, STARTING CLUTCH ROLLER SPRING	4	5			3	28126-415-000	1243054	
8	ALTERNATOR ASSY., PULSE (TOYO)	4	5			1	30300-MB0-154	1243062	
	ALTERNATOR ASSY., PULSE	4	5		2102366	1	30300-MB0-164	1853746	
	ALTERNATOR ASSY., PULSE (TOYO)	4	5			1	30300-MB0-174	1974831	
	ALTERNATOR ASSY., PULSE	4	5		2102366	1	30300-MB0-174	1974831	

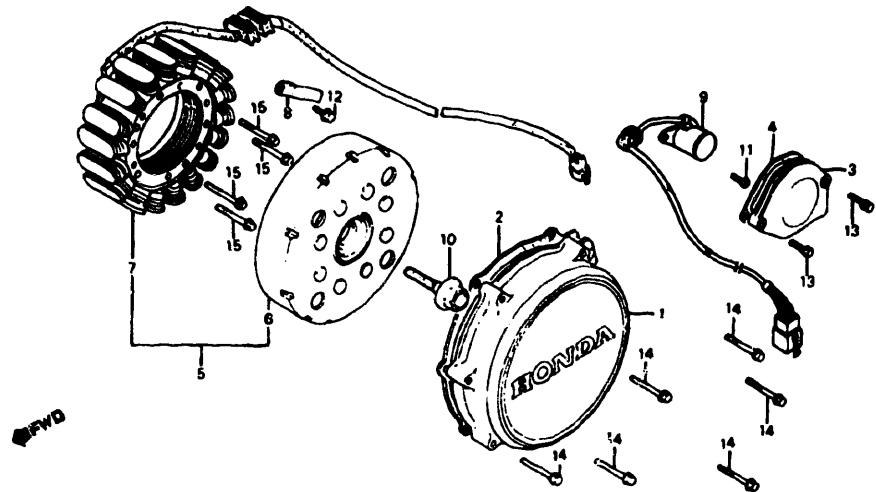
Ref. No.	BLOCK NO. DESCRIPTION	VF700S		AREA CODE	ENGINE SERIAL NUMBER		QTY REQ	PART NUMBER	HONDA CODE
		8	5		FROM	TO			
4 = VF700S'84 5 = VF700S'85		8	5						
8	ALTERNATOR ASSY., PULSE	4	5			1	30300-MJ4-405	3823937	
	ALTERNATOR ASSY., PULSE	4	5		2102366	1	30300-MJ4-405	3823937	
9	CLIP, PULSER WIRE	4	5			1	30301-MB4-010	1708312	
10	STAY A, PULSE ALTERNATOR (TOYO)	4	5			1	30310-MB0-154	1243088	
11	STAY B, PULSE ALTERNATOR (TOYO)	4	5			1	30320-MB0-154	1243096	
12	BOLT, FLANGE, 12X45	4	5			1	90023-HA7-670	2104685	
	BOLT, FLANGE, 12X40	4	5			1	90023-428-000	0684803	
13	WASHER, THRUST	4	5			1	90510-107-720	1243682	
14	PIN, DOWEL, 8X8	4	5			4	90702-MB0-000	1243724	
15	BEARING, NEEDLE, 30X35X17	4	5			1	91022-MB0-003	1243781	
	BEARING, NEEDLE, 30X35X17	4	5			1	91022-MB0-004	1243799	
16	ROLLER, 15X13	4	5			3	91101-516-000	0192732	
17	BOLT-WASHER, 6X25	4	5			4	93401-06025-00	2866879	
	BOLT-WASHER, 6X25	4	5			4	93491-06025-00	0843441	
18	SCREW, PAN, 4X10	4	5			4	93500-04010-0H	0262964	
19	WASHER, SPRING, 4MM	4	5			4	94111-04800	0346114	
20	BOLT, FLANGE, 8X14	4	5			3	95700-08014-08	0417949	
	BOLT, FLANGE, 8X14	4	5			3	95701-08014-08	2411015	
21	ROLLER, 6X15	4	5			1	96220-60150	1244011	

CONTENTS		
TITLE	PAGE	GRID
ALTERNATOR	18	B9
CAM CHAIN	10	B5
CAMSHAFT	8	B4
CARBURETOR ASSY.	44	C10
CARBURETOR COMPONENT	48	C12
CARBURETOR LINK	44	C10
CLUTCH	14	B7
CRANKCASE COVER, L	20	B10
CRANKCASE COVER, R	13	B6
CRANKSHAFT	30	C3
CROSS SHAFT	42	C9
CYLINDER BLOCK	26	C1
CYLINDER HEAD COVER	2	B1
CYLINDER HEAD, FR.	3	B1
CYLINDER HEAD, RR.	6	B3
GASKET KIT A	50	D1
GASKET KIT B	51	D1
GEARSHIFT DRUM	38	C7
OIL FILTER	23	B11
OIL PAN	23	B11
OIL PUMP	23	B11
PISTON	30	C3
PULSE ALTERNATOR	16	B8
STARTER CLUTCH	16	B8
STARTER MOTOR	22	B11
TENSIONER	10	B5
THERMOSTAT	40	C8
TRANSMISSION	36	C6
VALVE	8	B4
WATER PIPE	40	C8
WATER PUMP	20	B10

VF700S'84 ENGINE NO.; RC22E-2000008 TO 2005978  
 VF700S'84 FRAME NO.; RC220-EM000007 TO EM005012  
 VF700S'84 ENGINE NO.; RC22E-2002575 TO 2006097  
 VF700S'84 FRAME NO.; RC221-EM000006 TO EM001081

VF700S'85 ENGINE NO.; RC22E-2100001 TO 2103668  
 VF700S'85 FRAME NO.; RC220-FM100001 TO FM102800  
 VF700S'85 ENGINE NO.; RC22E-2100001 TO 2103285  
 VF700S'85 FRAME NO.; RC221-FM100001 TO FM100863

# ALTERNATOR



E14MB0E08

Ref. No.	BLOCK NO. DESCRIPTION	E-8	VF700S		AREA CODE	ENGINE SERIAL NUMBER		QTY REQ	PART NUMBER	HONDA CODE
			4	5		FROM	TO			
4 = VF700S'84 5 = VF700S'85										
1	COVER, ALTERNATOR		4	5				1	11631-MB0-000	1240878
	COVER, ALTERNATOR		4	5				1	11631-MB0-505	3419470
2	GASKET, ALTERNATOR COVER		4	5				1	11636-MB0-000	1240886
3	COVER, INDICATOR SWITCH		4	5				1	11641-MB0-000	1240894
4	GASKET, INDICATOR SWITCH COVER		4	5				1	11642-MB0-000	1240902
5	ALTERNATOR ASSY.		4	5				1	31100-MB0-871	1876622
6	ROTOR COMP.		4					1	31110-MB0-870	1781681
	ROTOR COMP.			5				1	31110-MB0-871	1876630
7	STATOR COMP. (HITACHI)		4			2005653		1	31120-MB0-015	1781699
	STATOR COMP. (HITACHI)		4			2005654		1	31120-MB0-025	1837525
			4					1	31120-MB0-025	1837525
				5				1	31120-MB0-025	1837525
	STATOR COMP.		4			2005653		1	31120-MB0-405	4059465
			4			2005654		1	31120-MB0-405	4059465
				5				1	31120-MB0-405	4059465
	STATOR COMP.		4			2005653		1	31120-MB0-415	4186912
			4			2005654		1	31120-MB0-415	4186912
				5				1	31120-MB0-415	4186912

VF700S'84 ENGINE NO.; RC22E-2000008 TO 2005978  
 VF700S'84 FRAME NO.; RC220-EM000007 TO EM005012  
 VF700S'84 ENGINE NO.; RC22E-2002575 TO 2006097  
 VF700S'84 FRAME NO.; RC221-EM000006 TO EM001081

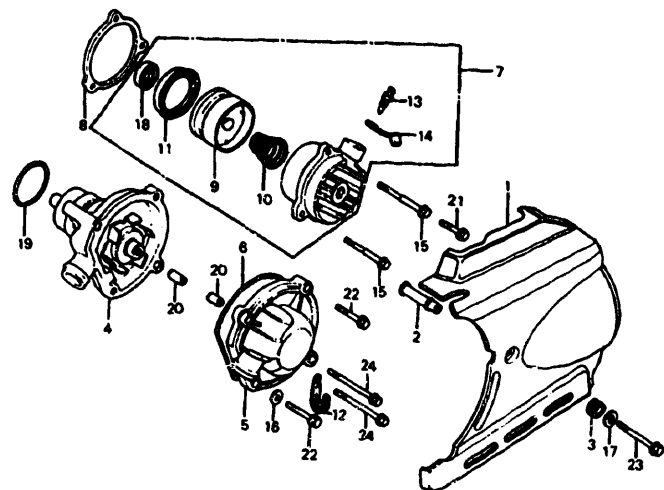
VF700S'85 ENGINE NO.; RC22E-2100001 TO 2103668  
 VF700S'85 FRAME NO.; RC220-FM100001 TO FM102800  
 VF700S'85 ENGINE NO.; RC22E-2100001 TO 2103285  
 VF700S'85 FRAME NO.; RC221-FM100001 TO FM100863

Ref. No.	BLOCK NO. DESCRIPTION	E-8	VF700S		AREA CODE	ENGINE SERIAL NUMBER		QTY REQ	PART NUMBER	HONDA CODE
			4	5		FROM	TO			
4 = VF700S'84 5 = VF700S'85										
8	CLAMP, ALTERNATOR CORD		4	5				1	31130-MB4-000	1434752
9	SWITCH ASSY., CHANGE		4	5				1	35759-MB0-700	1312719
10	BOLT, FLANGE, 12X45		4	5				1	90023-HA7-670	2104685
	BOLT, FLANGE, 12X40		4	5				1	90023-428-000	0684803
11	SCREW, PAN, 6X12		4	5				2	93500-06012-0A	0182360
12	BOLT, FLANGE, 6X12		4	5				1	96000-06012-00	0823666
	BOLT, FLANGE, 6X12		4	5				1	96001-06012-00	2105930
13	BOLT, FLANGE, 6X20		4	5				2	96000-06020-07	1292226
	BOLT, FLANGE, 6X20		4	5				2	96001-06020-07	2479624
14	BOLT, FLANGE, 6X35		4	5				6	96000-06035-00	0799080
	BOLT, FLANGE, 6X35		4	5				6	96001-06035-00	2112209
15	BOLT, FLANGE, 6X40		4	5				4	96000-06040-00	0782870
	BOLT, FLANGE, 6X40		4	5				4	96001-06040-00	2106037

# CONTENTS

TITLE	PAGE	GRID
ALTERNATOR	18	B9
CAM CHAIN	10	B5
CAMSHAFT	8	B4
CARBURETOR ASSY.	44	C10
CARBURETOR COMPONENT	48	C12
CARBURETOR LINK	44	C10
CLUTCH	14	B7
CRANKCASE COVER, L	20	B10
CRANKCASE COVER, R	13	B6
CRANKSHAFT	30	C3
CROSS SHAFT	42	C9
CYLINDER BLOCK	26	C1
CYLINDER HEAD COVER	2	B1
CYLINDER HEAD, FR.	3	B1
CYLINDER HEAD, RR.	6	B3
GASKET KIT A	50	D1
GASKET KIT B	51	D1
GEARSHIFT DRUM	38	C7
OIL FILTER	23	B11
OIL PAN	23	B11
OIL PUMP	23	B11
PISTON	30	C3
PULSE ALTERNATOR	16	B8
STARTER CLUTCH	16	B8
STARTER MOTOR	22	B11
TENSIONER	10	B5
THERMOSTAT	40	C8
TRANSMISSION	36	C6
VALVE	8	B4
WATER PIPE	40	C8
WATER PUMP	20	B10

# LEFT CRANKCASE COVER • WATER PUMP



E14MB0E09

Ref. No.	BLOCK NO. DESCRIPTION	E-9	VF700S		AREA CODE	ENGINE SERIAL NUMBER		QTY REQ	PART NUMBER	HONDA CODE
			84	85		FROM	TO			
4	VF700S'84		V	F	A					
5	VF700S'85		F	F	R					
1	COVER, RR.		4	5				1	11341-MB0-770	1288836
2	COLLAR, RR. COVER		4	5				1	11343-MB0-000	1240837
3	GROMMET A, RR. COVER		4	5				1	11344-MB0-000	1240845
4	PUMP COMP., WATER		4	5				1	19200-MB0-770	1290659
	PUMP COMP., WATER		4	5				1	19200-MB0-771	3835972
5	COVER COMP., WATER PUMP		4	5				1	19220-MB0-770	1316587
6	GASKET, WATER PUMP COVER		4	5				1	19226-MB0-000	1242148
7	CYLINDER ASSY., CLUTCH SLAVE		4	5				1	22860-MB0-770	1291160
8	INSULATOR, CLUTCH SLAVE CYLINDER		4	5				1	22862-MB0-770	1291202
9	PISTON, SLAVE CYLINDER		4	5				1	22863-MB0-003	1242627
10	SPRING, SLAVE CYLINDER		4	5				1	22864-MB0-003	1242635
11	CUP, PISTON		4	5				1	22865-MB0-003	1242643
12	CLIP, WIRE HARNESS		4	5				1	32170-443-850	1323468
	CLAMP		4	5				1	91403-663-000	1251669
13	SCREW, BLEEDER		4	5				1	43352-568-003	0505735
14	CAP, BLEEDER SCREW		4	5				1	43353-461-771	0954230

VF700S'84 ENGINE NO.; RC22E-2000008 TO 2005978  
 VF700S'84 FRAME NO.; RC220-EM000007 TO EM005012  
 VF700S'84 ENGINE NO.; RC22E-2002575 TO 2006097  
 VF700S'84 FRAME NO.; RC221-EM000006 TO EM001081

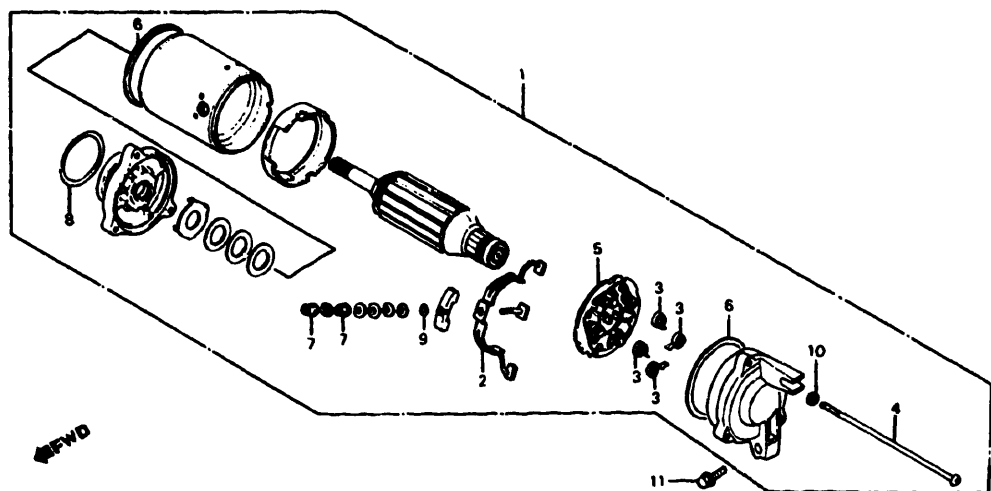
Ref. No.	BLOCK NO. DESCRIPTION	E-9	VF700S		AREA CODE	ENGINE SERIAL NUMBER		QTY REQ	PART NUMBER	HONDA CODE
			84	85		FROM	TO			
4	VF700S'84		V	F	A					
5	VF700S'85		F	F	R					
15	BOLT, FLANGE, 6X55		4	5				2	90051-MB0-000	1243492
16	WASHER, 11MM		4	5				1	90425-300-000	0189795
17	WASHER, RR. COVER GROMMET		4	5				1	90439-MB0-000	1243591
18	OIL SEAL, 8X18X5 (NISSIN)		4	5				1	91209-MB0-003	1243872
19	O-RING, 32.95X2.62 (ARAI)		4	5				1	91302-MB0-013	1435114
20	PIN A, DOWEL, 8X14		4	5				2	94301-08140	0069310
21	BOLT, FLANGE, 6X22		4	5				1	96000-06022-00	0811034
	BOLT, FLANGE, 6X22		4	5				1	96001-06022-00	2112191
22	BOLT, FLANGE, 6X28		4	5				2	96000-06028-00	0799072
	BOLT, FLANGE, 6X28		4	5				2	96001-06028-00	2106003
23	BOLT, FLANGE, 6X60		4	5				1	96000-06060-07	1244003
	BOLT, FLANGE, 6X60		4	5				1	96001-06060-07	2831659
24	BOLT, FLANGE, 6X70		4	5				2	96000-06070-00	0807438
	BOLT, FLANGE, 6X70		4	5				2	96001-06070-00	2112233

VF700S'85 ENGINE NO.; RC22E-2100001 TO 2103668  
 VF700S'85 FRAME NO.; RC220-FM100001 TO FM102800  
 VF700S'85 ENGINE NO.; RC22E-2100001 TO 2103285  
 VF700S'85 FRAME NO.; RC221-FM100001 TO FM100863

# CONTENTS

TITLE	PAGE	GRID
ALTERNATOR	18	B9
CAM CHAIN	10	B5
CAMSHAFT	8	B4
CARBURETOR ASSY.	44	C10
CARBURETOR COMPONENT	48	C12
CARBURETOR LINK	44	C10
CLUTCH	14	B7
CRANKCASE COVER, L.	20	B10
CRANKCASE COVER, R.	13	B6
CRANKSHAFT	30	C3
CROSS SHAFT	42	C9
CYLINDER BLOCK	26	C1
CYLINDER HEAD COVER	2	B1
CYLINDER HEAD, FR.	3	B1
CYLINDER HEAD, RR.	6	B3
GASKET KIT A	50	D1
GASKET KIT B	51	D1
GEARSHIFT DRUM	38	C7
OIL FILTER	23	B11
OIL PAN	23	B11
OIL PUMP	23	B11
PISTON	30	C3
PULSE ALTERNATOR	16	B8
STARTER CLUTCH	16	B8
STARTER MOTOR	22	B11
TENSIONER	10	B5
THERMOSTAT	40	C8
TRANSMISSION	36	C6
VALVE	8	B4
WATER PIPE	40	C8
WATER PUMP	20	B10

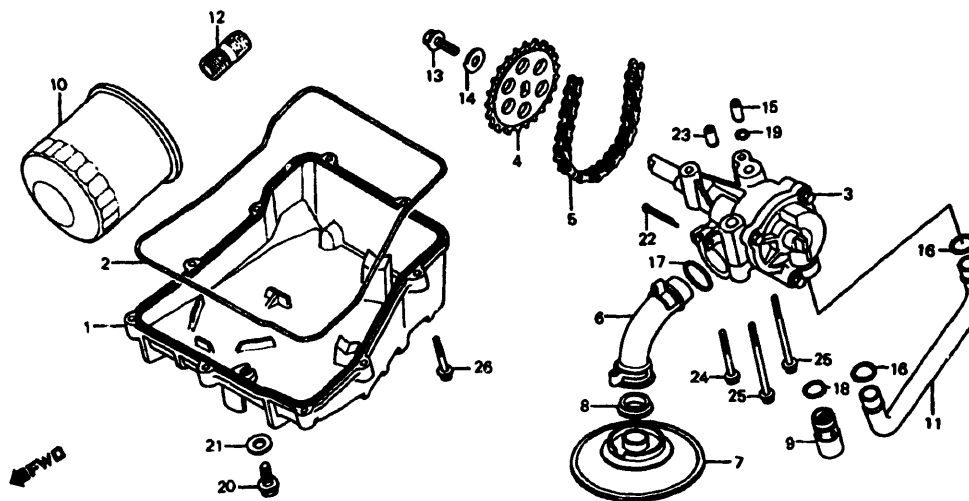
# STARTER MOTOR



E14MB0E10

Ref. No.	BLOCK NO. DESCRIPTION	VF700S		AREA CODE	ENGINE SERIAL NUMBER		QTY REQ	PART NUMBER	HONDA CODE
		4	5		FROM	TO			
4 = VF700S'84 5 = VF700S'85									
1	MOTOR ASSY., STARTER	4	5			1	31200-MB0-008	1243146	
	MOTOR ASSY., STARTER	4	5			1	31200-MB0-405	4237954	
2	TERMINAL SET, BRUSH	4	5			1	31201-KG7-000	1718576	
	TERMINAL SET, BRUSH	4	5			1	31201-MA6-000	1243153	
3	SPRING, CARBON BRUSH	4	5			4	31204-MA6-000	1243161	
4	SCREW, PAN, 5X115	4	5			3	31205-MB0-000	1260314	
5	HOLDER SET, BRUSH	4	5			1	31206-KG7-000	1718592	
	HOLDER SET, BRUSH	4	5			1	31206-MA6-000	1243179	
6	RING, SEAL	4	5			2	31207-179-711	1063858	
7	NUT-WASHER, 6MM	4	5			2	90071-MB0-000	1243534	
8	O-RING	4	5			1	91309-MA6-000	1243922	
9	O-RING	4	5			1	91320-MB0-000	1292184	
10	WASHER, SPRING, 5MM	4	5			3	94111-05000	0058966	
11	BOLT, FLANGE, 6X25	4	5			2	96000-06025-00	0782862	
	BOLT, FLANGE, 6X25	4	5			2	96001-06025-00	2105989	

# OIL FILTER • OIL PAN • OIL PUMP



E14MB0E11

Ref. No.	BLOCK NO. DESCRIPTION	VF700S		AREA CODE	ENGINE SERIAL NUMBER		QTY REQ	PART NUMBER	HONDA CODE
		4	5		FROM	TO			
4 = VF700S'84 5 = VF700S'85									
1	PAN, OIL	4	5			1	11210-MB0-000	1240787	
	PAN, OIL	4	5			1	11210-MB0-010	2088789	
	PAN, OIL	4	5			1	11210-MK3-000	2016657	
2	GASKET, OIL PAN	4	5			1	11315-MB0-010	1441724	
3	PUMP ASSY., OIL	4	5			1	15100-MB0-000	1241637	
	PUMP ASSY., OIL	4	5			1	15100-MB0-010	2017317	
4	SPROCKET, OIL PUMP DRIVEN (25T) ..	4	5			1	15134-MB0-010	1780964	
5	CHAIN, OIL PUMP	4	5			1	15136-MB0-003	1241660	
6	PIPE, OIL STRAINER	4	5			1	15151-MB0-000	1241678	
7	STRAINER, OIL	4	5			1	15153-MB0-000	1241686	
8	GASKET, OIL STRAINER	4	5			1	15154-425-000	0716191	
9	VALVE ASSY., RELIEF	4	5			1	15220-MB0-010	1416064	
10	FILTER, OIL	4	5			1	15410-MJ0-003	1689611	
	FILTER, OIL	4	5			1	15410-MJ0-004	3481355	
11	PIPE, OIL	4	5			1	15511-MB0-000	1241710	
12	BOSS, OIL FILTER	4	5			1	90019-MB0-000	1243435	

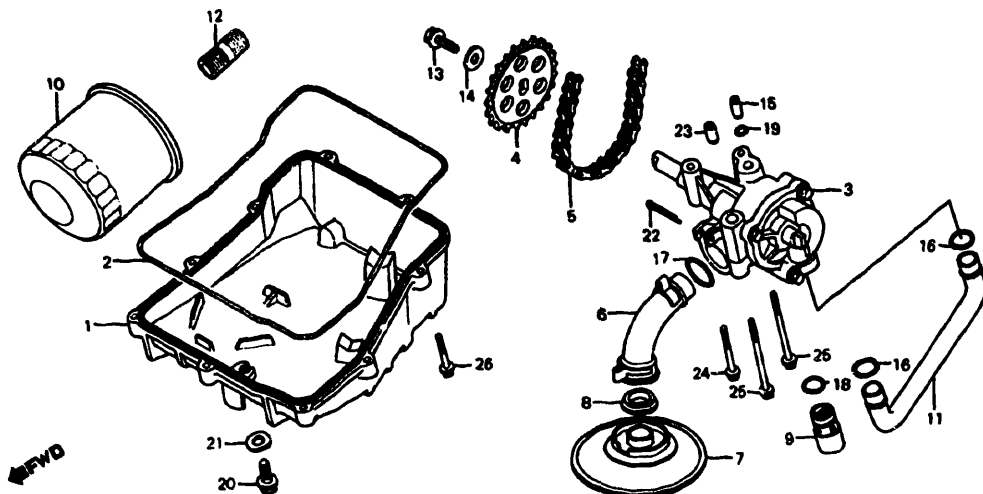
# CONTENTS

TITLE	PAGE	GRID
ALTERNATOR	18	B9
CAM CHAIN	10	B5
CAMSHAFT	8	B4
CARBURETOR ASSY.	44	C10
CARBURETOR COMPONENT	48	C12
CARBURETOR LINK	44	C10
CLUTCH	14	B7
CRANKCASE COVER, L	20	B10
CRANKCASE COVER, R	13	B6
CRANKSHAFT	30	C3
CROSS SHAFT	42	C9
CYLINDER BLOCK	26	C1
CYLINDER HEAD COVER	2	B1
CYLINDER HEAD, FR.	3	B1
CYLINDER HEAD, RR.	6	B3
GASKET KIT A	50	D1
GASKET KIT B	51	D1
GEARSHIFT DRUM	38	C7
OIL FILTER	23	B11
OIL PAN	23	B11
OIL PUMP	23	B11
PISTON	30	C3
PULSE ALTERNATOR	16	B8
STARTER CLUTCH	16	B8
STARTER MOTOR	22	B11
TENSIONER	10	B5
THERMOSTAT	40	C8
TRANSMISSION	36	C6
VALVE	8	B4
WATER PIPE	40	C8
WATER PUMP	20	B10

VF700S'84 ENGINE NO.; RC22E-2000008 TO 2005978  
 VF700S'84 FRAME NO.; RC220-EM000007 TO EM005012  
 VF700S'84 ENGINE NO.; RC22E-2002575 TO 2006097  
 VF700S'84 FRAME NO.; RC221-EM000006 TO EM001081

VF700S'85 ENGINE NO.; RC22E-2100001 TO 2103668  
 VF700S'85 FRAME NO.; RC220-FM100001 TO FM102800  
 VF700S'85 ENGINE NO.; RC22E-2100001 TO 2103285  
 VF700S'85 FRAME NO.; RC221-FM100001 TO FM100863

**OIL FILTER • OIL PAN • OIL PUMP**



E14MB0E11

4 = VF700S'84  
5 = VF700S'85

Ref. No.	BLOCK NO. DESCRIPTION	E-11	V F 7 0 0 S		A R E A C O D E	E N G I N E S E R I A L N U M B E R		Q T Y R E Q	P A R T N U M B E R	H O N D A C O D E
			8 4	8 5		F R O M	T O			
	23 PIN, DOWEL, 8X14 .....			5				1	90501-MB0-000	1852391
	24 BOLT, FLANGE, 6X45 .....		4	5				1	95700-06045-00	0687830
	BOLT, FLANGE, 6X45 .....		4	5				1	95701-06045-00	2529089
	BOLT, FLANGE, 6X45 .....		4	5				1	95701-06045-07	2410967
	25 BOLT, FLANGE, 6X70 .....		4	5				2	95700-06070-00	0698720
	BOLT, FLANGE, 6X70 .....		4	5				2	95701-06070-00	2427284
	26 BOLT, FLANGE, 6X28 .....		4	5				9	96000-06028-00	0799072
	BOLT, FLANGE, 6X28 .....		4	5				9	96001-06028-00	2106003

**CONTENTS**

TITLE	PAGE	GRID
ALTERNATOR .....	18	B9
CAM CHAIN .....	10	B5
CAMSHAFT .....	8	B4
CARBURETOR ASSY. ....	44	C10
CARBURETOR COMPONENT .....	48	C12
CARBURETOR LINK .....	44	C10
CLUTCH .....	14	B7
CRANKCASE COVER, L. ....	20	B10
CRANKCASE COVER, R. ....	13	B6
CRANKSHAFT .....	30	C3
CROSS SHAFT .....	42	C9
CYLINDER BLOCK .....	26	C1
CYLINDER HEAD COVER .....	2	B1
CYLINDER HEAD, FR. ....	3	B1
CYLINDER HEAD, RR. ....	6	B3
GASKET KIT A .....	50	D1
GASKET KIT B .....	51	D1
GEARSHIFT DRUM .....	38	C7
OIL FILTER .....	23	B11
OIL PAN .....	23	B11
OIL PUMP .....	23	B11
PISTON .....	30	C3
PULSE ALTERNATOR .....	16	B8
STARTER CLUTCH .....	16	B8
STARTER MOTOR .....	22	B11
TENSIONER .....	10	B5
THERMOSTAT .....	40	C8
TRANSMISSION .....	36	C6
VALVE .....	8	B4
WATER PIPE .....	40	C8
WATER PUMP .....	20	B10

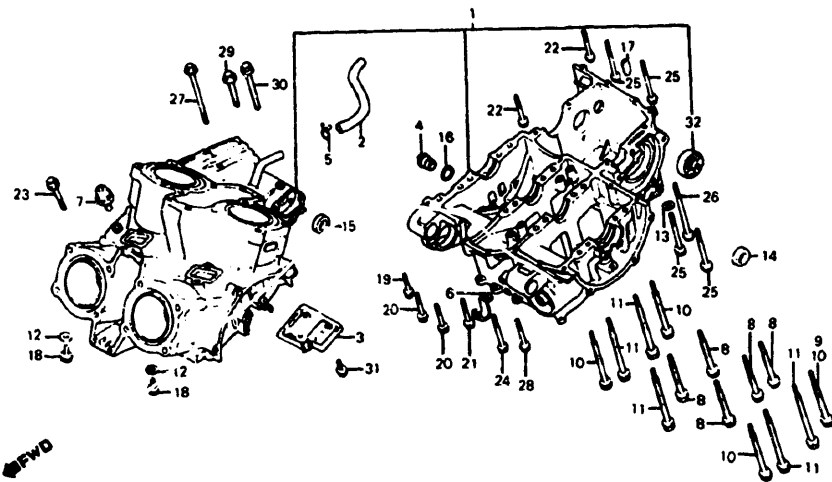
Ref. No.	BLOCK NO. DESCRIPTION	E-11	V F 7 0 0 S		A R E A C O D E	E N G I N E S E R I A L N U M B E R		Q T Y R E Q	P A R T N U M B E R	H O N D A C O D E
			8 4	8 5		F R O M	T O			
	13 BOLT, HEX., 6X16 .....		4	5				1	90021-KE8-000	1768290
	14 WASHER, 6X2.3 .....		4	5				1	90488-MB0-000	1243674
	15 PIN, KNOCK, 8X14 .....		4	5				1	90701-MB4-000	1385509
	16 O-RING, 14.6X3.7 (ARAI) .....		4	5				2	91309-MB0-003	1260843
	17 O-RING, 18.5X2.4 (ARAI) .....		4	5				1	91311-MB0-003	1260850
	18 O-RING, 14.7X2.2 (ARAI) .....		4	5				1	91313-MB0-003	1260868
	O-RING, 14.8X2.2 .....		4	5				1	91313-MG7-004	3353620
	19 O-RING, 7.7X2.3 (ARAI) .....		4	5				1	91301-PC9-003	1352400
	O-RING, 7.8X2.2 .....		4	5				1	91308-283-000	0076497
	O-RING, 7.8X2.2 (ARAI) .....		4	5				1	91313-393-003	0446922
	20 BOLT, DRAIN PLUG, 12MM .....		4	5				1	92800-12000	0053975
	21 WASHER, DRAIN PLUG, 12MM .....		4	5				1	94109-12000	0171868
	22 PIN, SPLIT, 2.0X25 .....		4	5				1	94201-20250	0058370
	PIN, COTTER, 2.0X32 .....		4	5				1	94201-20320	0145607
	PIN, SPLIT, 2.0X35 .....		4	5				1	94201-20350	0058388
	23 PIN A, DOWEL, 8X14 .....		4					1	94301-08140	0069310

VF700S'84 ENGINE NO.; RC22E-200008 TO 2005978  
 VF700S'84 FRAME NO.; RC220-EM000007 TO EM005012  
 VF700S'84 ENGINE NO.; RC22E-2002575 TO 2006097  
 VF700S'84 FRAME NO.; RC221-EM000006 TO EM001081

VF700S'85 ENGINE NO.; RC22E-2100001 TO 2103668  
 VF700S'85 FRAME NO.; RC220-FM100G01 TO FM102800  
 VF700S'85 ENGINE NO.; RC22E-2100001 TO 2103285  
 VF700S'85 FRAME NO.; RC221-FM100001 TO FM100863



# CYLINDER BLOCK



E14MB0E12

Ref. No.	BLOCK NO. E-12 DESCRIPTION	VF700S		AREA CODE	ENGINE SERIAL NUMBER		QTY REQ	PART NUMBER	HONDA CODE
		4	5		FROM	TO			
4 = VF700S'84 5 = VF700S'85									
1	BLOCK SET, CYLINDER	4	5				1	11000-MB1-870	1724350
	BLOCK SET, CYLINDER	4	5				1	11000-MB1-871	2061604
	BLOCK SET, CYLINDER	4	5				1	11000-MB1-872	2099174
2	TUBE A, BREATHER	4	5				1	11105-MB0-000	1240753
3	PLATE, OIL SEPARATE	4	5				1	11140-MB0-000	1240761
4	CAP, MAIN GALLERY	4	5				1	11207-MB0-000	1240779
5	CLIP, BREATHER TUBE	4	5				1	17554-MB0-000	1260264
6	CLIP, HIGH TENSION CORD	4	5				1	32906-061-000	0185082
7	SWITCH ASSY., OIL PRESSURE	4					1	35500-MB9-004	1087204
	SWITCH ASSY., OIL PRESSURE	4					1	35500-MJ0-004	1734599
	SWITCH ASSY., OIL PRESSURE	4					1	35500-MJ4-004	1851955
	SWITCH ASSY., OIL PRESSURE (ND)	4	5				1	35500-MJ4-014	1876721
	SWITCH ASSY., OIL PRESSURE (ND)	4	5				1	35500-MJ4-024	3544608
8	BOLT, UBS, 9X88	4	5				5	90014-MB0-010	1708536
9	BOLT, UBS, 9X88		5	2108919			1	90014-MB6-680	2248243

Ref. No.	BLOCK NO. E-12 DESCRIPTION	VF700S		AREA CODE	ENGINE SERIAL NUMBER		QTY REQ	PART NUMBER	HONDA CODE
		4	5		FROM	TO			
4 = VF700S'84 5 = VF700S'85									
10	BOLT, UBS, 9X98	4					4	90015-MB0-000	1243401
			5		2108918		4	90015-MB0-000	1243401
			5		2108919		3	90015-MB0-000	1243401
11	BOLT, UBS, 9X108	4	5				5	90016-MB0-000	1243419
12	WASHER, SEALING, 6.5X12	4	5				2	90461-357-000	0350215
13	WASHER, RR. BRAKE ARM	4	5				1	90525-001-000	0094839
14	OIL SEAL, 12.5X25X8 (ARAI)	4	5				1	91204-425-003	1067024
15	SEAL, OIL	4	5				1	91210-MB0-003	1260793
	SEAL, OIL, 14X24X6	4	5				1	91210-MB0-013	2248359
16	O-RING, 18X2.8	4	5				1	91314-MB0-003	1260876
17	PIN A, DOWEL, 8X14	4	5				1	94301-08140	0069310
18	BOLT, FLANGE, 6X12	4	5				2	95700-06012-00	0487025
	BOLT, FLANGE, 6X12	4	5				2	95701-06012-00	2105799
19	BOLT, FLANGE, 6X28	4	5				2	95700-06028-00	0483933
	BOLT, FLANGE, 6X28	4	5				2	95701-06028-00	2105849
20	BOLT, FLANGE, 6X32	4	5				2	95700-06032-00	0484477
	BOLT, FLANGE, 6X32	4	5				2	95701-06032-00	2105856
21	BOLT, FLANGE, 6X40	4	5				1	95700-06040-00	0483966
	BOLT, FLANGE, 6X40	4	5				1	95701-06040-00	2410942
22	BOLT, FLANGE, 6X45	4	5				2	95700-06045-00	0687830
	BOLT, FLANGE, 6X45	4	5				2	95701-06045-00	2529089
	BOLT, FLANGE, 6X45	4	5				2	95701-06045-07	2410967
23	BOLT, FLANGE, 6X45	4	5				1	95700-06045-07	0799023
24	BOLT, FLANGE, 6X50	4	5				1	95700-06050-00	0483974
	BOLT, FLANGE, 6X50	4	5				1	95701-06050-00	2410975
25	BOLT, FLANGE, 6X60	4	5				4	95700-06060-00	0687848
	BOLT, FLANGE, 6X60	4	5				4	95701-06060-00	2791119
26	BOLT, FLANGE, 6X90	4	5				1	95700-06090-00	0484014
	BOLT, FLANGE, 6X90	4	5				1	95701-06090-00	2533842
27	BOLT, FLANGE, 6X100	4	5				1	95700-06100-00	0484022
	BOLT, FLANGE, 6X100	4	5				1	95701-06100-00	2519742
28	BOLT, FLANGE, 8X45	4	5				1	95700-08045-00	0496497
	BOLT, FLANGE, 8X45	4	5				1	95701-08045-00	2533859

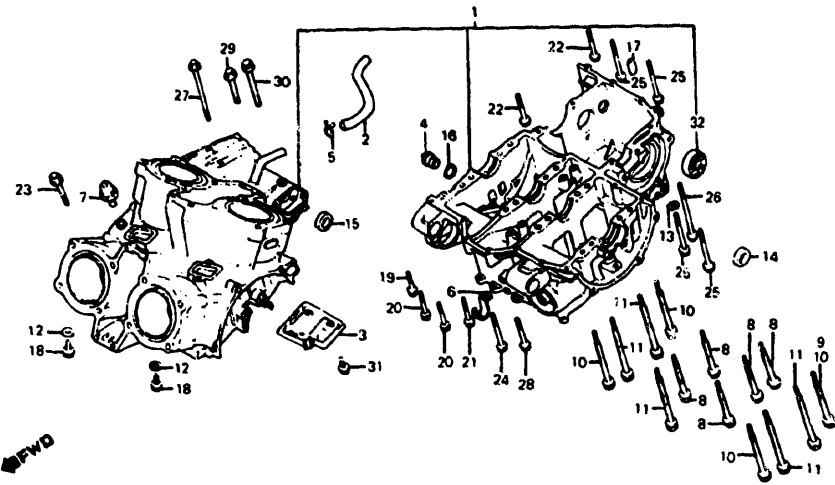
# CONTENTS

TITLE	PAGE	GRID
ALTERNATOR	18	B9
CAM CHAIN	10	B5
CAMSHAFT	8	B4
CARBURETOR ASSY.	44	C10
CARBURETOR COMPONENT	48	C12
CARBURETOR LINK	44	C10
CLUTCH	14	B7
CRANKCASE COVER, L	20	B10
CRANKCASE COVER, R	13	B6
CRANKSHAFT	30	C3
CROSS SHAFT	42	C9
CYLINDER BLOCK	26	C1
CYLINDER HEAD COVER	2	B1
CYLINDER HEAD, FR.	3	B1
CYLINDER HEAD, RR.	6	B3
GASKET KIT A	50	D1
GASKET KIT B	51	D1
GEARSHIFT DRUM	38	C7
OIL FILTER	23	B11
OIL PAN	23	B11
OIL PUMP	23	B11
PISTON	30	C3
PULSE ALTERNATOR	16	B8
STARTER CLUTCH	16	B8
STARTER MOTOR	22	B11
TENSIONER	10	B5
THERMOSTAT	40	C8
TRANSMISSION	36	C6
VALVE	8	B4
WATER PIPE	40	C8
WATER PUMP	20	B10

VF700S'84 ENGINE NO.; RC22E-2000008 TO 2005978  
 VF700S'84 FRAME NO.; RC220-EM000007 TO EM005012  
 VF700S'84 ENGINE NO.; RC22E-2002575 TO 2006097  
 VF700S'84 FRAME NO.; RC221-EM000006 TO EM001081

VF700S'85 ENGINE NO.; RC22E-2100001 TO 2103668  
 VF700S'85 FRAME NO.; RC220-FM100001 TO FM102800  
 VF700S'85 ENGINE NO.; RC22E-2100001 TO 2103285  
 VF700S'85 FRAME NO.; RC221-FM100001 TO FM100863

# CYLINDER BLOCK



E14MB0E12

Ref. No.	BLOCK NO.	E-12	VF700S		AREA CODE	ENGINE SERIAL NUMBER		QTY REQ	PART NUMBER	HONDA CODE
			4	5		FROM	TO			
	4 = VF700S'84		V	V						
	5 = VF700S'85		F	F						
			8	8						
			4	5						
29	BOLT, FLANGE, 8X50		4	5		-----	-----	1	95700-08050-00	0687871
	BOLT, FLANGE, 8X50		4	5		-----	-----	1	95701-08050-00	2935740
30	BOLT, FLANGE, 8X80		4	5		-----	-----	1	95700-08080-00	0484048
	BOLT, FLANGE, 8X80		4	5		-----	-----	1	95701-08080-00	2533867
31	BOLT, FLANGE, 6X12		4	5		-----	-----	3	96000-06012-00	0823666
	BOLT, FLANGE, 6X12		4	5		-----	-----	3	96001-06012-00	2105930
32	BEARING, RADIAL BALL, 6304		4	5		-----	-----	1	96100-63040-00	0341644

Ref. No.	BLOCK NO.	E-12	VF700S		AREA CODE	ENGINE SERIAL NUMBER		QTY REQ	PART NUMBER	HONDA CODE
			4	5		FROM	TO			
	4 = VF700S'84		V	V						
	5 = VF700S'85		F	F						
			8	8						
			4	5						

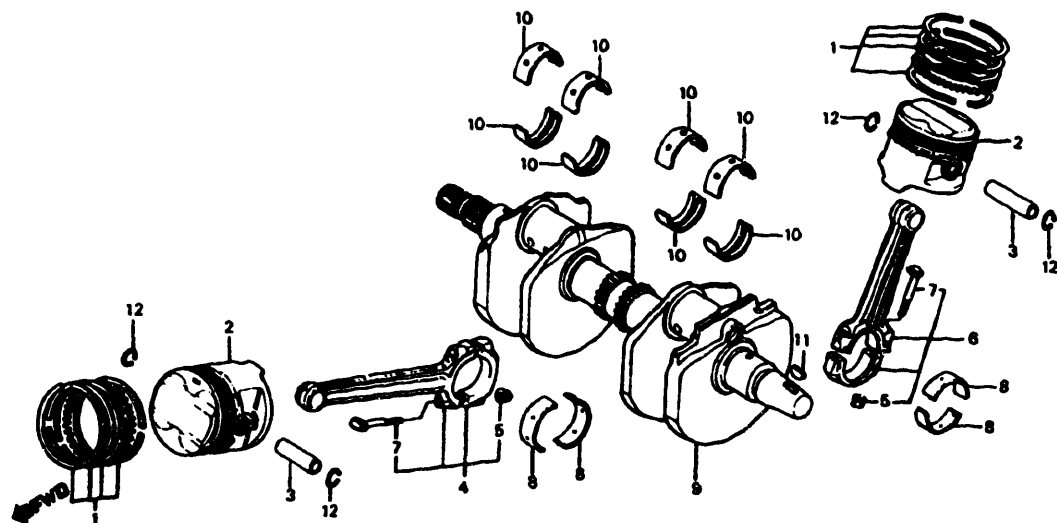
# CONTENTS

TITLE	PAGE	GRID
ALTERNATOR	18	B9
CAM CHAIN	10	B5
CAMSHAFT	8	B4
CARBURETOR ASSY.	44	C10
CARBURETOR COMPONENT	48	C12
CARBURETOR LINK	44	C10
CLUTCH	14	B7
CRANKCASE COVER, L	20	B10
CRANKCASE COVER, R	13	B6
CRANKSHAFT	30	C3
CROSS SHAFT	42	C9
CYLINDER BLOCK	26	C1
CYLINDER HEAD COVER	2	B1
CYLINDER HEAD, FR	3	B1
CYLINDER HEAD, RR	6	B3
GASKET KIT A	50	D1
GASKET KIT B	51	D1
GEARSHIFT DRUM	38	C7
OIL FILTER	23	B11
OIL PAN	23	B11
OIL PUMP	23	B11
PISTON	30	C3
PULSE ALTERNATOR	16	B8
STARTER CLUTCH	16	B8
STARTER MOTOR	22	B11
TENSIONER	10	B5
THERMOSTAT	40	C8
TRANSMISSION	36	C6
VALVE	8	B4
WATER PIPE	40	C8
WATER PUMP	20	B10

VF700S'84 ENGINE NO.; RC22E-2000008 TO 2005978  
 VF700S'84 FRAME NO.; RC220-EM000007 TO EM005012  
 VF700S'84 ENGINE NO.; RC22E-2002575 TO 2006097  
 VF700S'84 FRAME NO.; RC221-EM000006 TO EM001081

VF700S'85 ENGINE NO.; RC22E-2100001 TO 2103668  
 VF700S'85 FRAME NO.; RC220-FM100001 TO FM102800  
 VF700S'85 ENGINE NO.; RC22E-2100001 TO 2103285  
 VF700S'85 FRAME NO.; RC221-FM100001 TO FM100863

# CRANKSHAFT • PISTON



**Crankshaft bearing selection**  
(Oil clearance 20~44 μm)

Crankcase I.D. 368	Crankshaft O.D. 368	1	2	3
		+0.008 0	0 -0.008	-0.008 -0.016
A	0 +0.008	E (Yellow)	D (Green)	C (Brown)
B	+0.008 +0.016	D (Green)	C (Brown)	B (Black)
C	+0.016 +0.024	C (Brown)	B (Black)	A (Blue)

**Connecting rod bearing selection**  
(Oil clearance 28~52 μm)

Connecting rod I.D. 368	Crank pin O.D. 368	A	B	C
		0 -0.008	-0.008 -0.016	-0.016 -0.024
1	0 +0.008	E (Yellow)	D (Green)	C (Brown)
2	+0.008 +0.016	D (Green)	C (Brown)	B (Black)
3	+0.016 +0.024	C (Brown)	B (Black)	A (Blue)

E14MB0E13T

# CRANKSHAFT • PISTON

	Front	13206-	13207-	13208-	13209-	13210-
	Rear	MB1-870	MB1-870	MB1-870	MB1-870	MB1-870
13201-MB1-870					●	●
13202-MB1-870			●	●	●	
13203-MB1-870			●	●	●	
13204-MB1-870	●	●	●			
13205-MB1-870	●	●				

E14MB0E13 C

Ref. No.	BLOCK NO.	E-13	VF700S	VF700S	AREA CODE	ENGINE SERIAL NUMBER		QTY REQ	PART NUMBER	HONDA CODE
						FROM	TO			
			4	5						
			4	5						
1	RING SET, PISTON (STD.) (NIPPON)		4	5				4	13011-MB0-771	1780931
	RING SET, PISTON (STD.) (NIPPON)		4	5				4	13011-MN0-305	2523884
2	PISTON		4	5				4	13101-MB1-870	1722958
3	PIN, PISTON		4	5				4	13111-MB0-000	1241140
	PIN, PISTON		4	5				4	13111-MT3-000	3482114
4	ROD ASSY. A, FR. CONNECTING		4	5				2	13201-MB1-870	1722966
	ROD ASSY. B, FR. CONNECTING		4	5				2	13202-MB1-870	1722974
	ROD ASSY. C, FR. CONNECTING		4	5				2	13203-MB1-870	1722982
	ROD ASSY. D, FR. CONNECTING		4	5				2	13204-MB1-870	1722990
	ROD ASSY. E, FR. CONNECTING		4	5				2	13205-MB1-870	1723006
5	NUT, CONNECTING ROD		4	5				8	13205-634-010	0549493
6	ROD ASSY. A, RR. CONNECTING		4	5				2	13206-MB1-870	1723014
	ROD ASSY. B, RR. CONNECTING		4	5				2	13207-MB1-870	1723022
	ROD ASSY. C, RR. CONNECTING		4	5				2	13208-MB1-870	1723030
	ROD ASSY. D, RR. CONNECTING		4	5				2	13209-MB1-870	1723048
	ROD ASSY. E, RR. CONNECTING		4	5				2	13210-MB1-870	1723055

© AMERICAN HONDA MOTOR CO., LTD. 1983 31

# CONTENTS

TITLE	PAGE	GRID
ALTERNATOR	18	B9
CAM CHAIN	10	B5
CAMSHAFT	8	B4
CARBURETOR ASSY.	44	C10
CARBURETOR COMPONENT	48	C12
CARBURETOR LINK	44	C10
CLUTCH	14	B7
CRANKCASE COVER, L.	20	B10
CRANKCASE COVER, R.	13	B6
CRANKSHAFT	30	C3
CROSS SHAFT	42	C9
CYLINDER BLOCK	26	C1
CYLINDER HEAD COVER	2	B1
CYLINDER HEAD, FR.	3	B1
CYLINDER HEAD, RR.	6	B3
GASKET KIT A	50	D1
GASKET KIT B	51	D1
GEARSHIFT DRUM	38	C7
OIL FILTER	23	B11
OIL PAN	23	B11
OIL PUMP	23	E11
PISTON	30	C3
PULSE ALTERNATOR	16	B8
STARTER CLUTCH	16	B8
STARTER MOTOR	22	B11
TENSIONER	10	B5
THERMOSTAT	40	C8
TRANSMISSION	36	C6
VALVE	8	B4
WATER PIPE	40	C8
WATER PUMP	20	B10

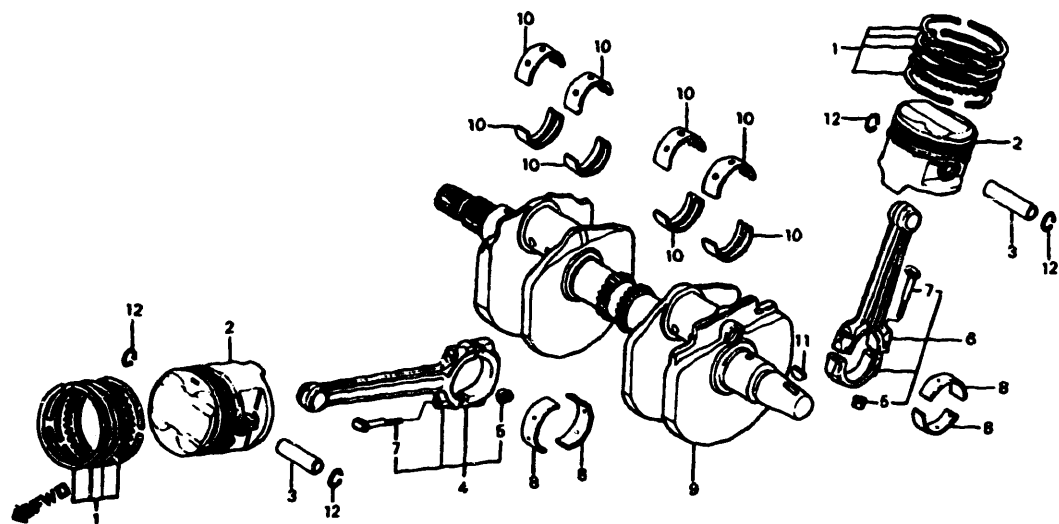
GRID

**C3**

VF700S'84 ENGINE NO.; RC22E-2000008 TO 2005978  
 VF700S'84 FRAME NO.; RC220-EM000007 TO EM005012  
 VF700S'84 ENGINE NO.; RC22E-2002575 TO 2006097  
 VF700S'84 FRAME NO.; RC221-EM000006 TO EM001081

VF700S'85 ENGINE NO.; RC22E-2100001 TO 2103668  
 VF700S'85 FRAME NO.; RC220-FM100001 TO FM102800  
 VF700S'85 ENGINE NO.; RC22E-2100001 TO 2103285  
 VF700S'85 FRAME NO.; RC221-FM100001 TO FM100863

# CRANKSHAFT • PISTON



**Crankshaft bearing selection**  
(Oil clearance 20~44 μm)

Crankcase I.D. 368	Crankshaft O.D. 368		
	1 +0.008 0	2 0 -0.008	3 -0.008 -0.016
A	0 +0.008 (Yellow)	D (Green)	C (Brown)
B	+0.008 +0.016 (Green)	C (Brown)	B (Black)
C	+0.016 +0.024 (Brown)	B (Black)	A (Blue)

**Connecting rod bearing selection**  
(Oil clearance 28~52 μm)

Connecting rod I.D. 368	Crank pin O.D. 368		
	A 0 -0.008	B -0.008 -0.016	C -0.016 -0.024
1	0 +0.008 (Yellow)	D (Green)	C (Brown)
2	+0.008 +0.016 (Green)	C (Brown)	B (Black)
3	+0.016 +0.024 (Brown)	B (Black)	A (Blue)

E14MB0E13T

4 = VF700S'84  
5 = VF700S'85

Ref. No.	BLOCK NO. E-13 DESCRIPTION	VF700S 4	VF700S 5	AREA CODE	ENGINE SERIAL NUMBER		QTY REQ	PART NUMBER	HONDA CODE
					FROM	TO			
7	BOLT, CONNECTING ROD (TOKAI TRW)	4	5				8	13204-689-004	0725416
	BOLT, CONNECTING ROD (NAGOYA NEJI)	4	5				8	13213-422-004	0690792
8	BEARING A, CONNECTING ROD (BLUE)	4	5				8	13224-MB0-003	1260116
	BEARING A, CONNECTING ROD (BLUE)	4	5				8	13224-MB0-305	1853514
	BEARING A, CONNECTING ROD (BLUE)	4	5				8	13224-MB0-891	2053999
	BEARING A, CONNECTING ROD (BLUE)	4	5				8	13224-MB0-892	3255692
	BEARING B, CONNECTING ROD (BLACK)	4	5				8	13225-MB0-003	1260124
	BEARING B, CONNECTING ROD (BLACK)	4	5				8	13225-MB0-891	2054005
	BEARING B, CONNECTING ROD (BLACK)	4	5				8	13225-MB0-892	3045499
	BEARING C, CONNECTING ROD (BROWN)	4	5				8	13226-MB0-003	1260132
	BEARING C, CONNECTING ROD (BROWN)	4	5				8	13226-MB0-891	2054013
	BEARING C, CONNECTING ROD (BROWN)	4	5				8	13226-MB0-892	2956613
	BEARING D, CONNECTING ROD (GREEN)	4	5				8	13227-MB0-003	1260140
	BEARING D, CONNECTING ROD (GREEN)	4	5				8	13227-MB0-891	2054021
	BEARING D, CONNECTING ROD (GREEN)	4	5				8	13227-MB0-892	2956621
	BEARING E, CONNECTING ROD (YELLOW)	4	5				8	13228-MB0-003	1260157
	BEARING E, CONNECTING ROD (YELLOW)	4	5				8	13228-MB0-891	2054039
	BEARING E, CONNECTING ROD (YELLOW)	4	5				8	13228-MB0-892	2937829
9	CRANKSHAFT COMP.	4	5				1	13300-MB1-870	1723063
	CRANKSHAFT COMP.	4	5				1	13300-MB1-871	2011112
10	BEARING A, CRANKSHAFT (BLUE)	4	5				8	13314-MB0-003	1260165
	BEARING A, CRANKSHAFT (BLUE)	4	5				8	13314-MB0-013	2016962
	BEARING B, CRANKSHAFT (BLACK)	4	5				8	13315-MB0-003	1260173
	BEARING B, CRANKSHAFT (BLACK)	4	5				8	13315-MB0-013	2016970
	BEARING C, CRANKSHAFT (BROWN)	4	5				8	13316-MB0-003	1260181
	BEARING C, CRANKSHAFT (BROWN)	4	5				8	13316-MB0-013	2016988
	BEARING D, CRANKSHAFT (GREEN)	4	5				8	13317-MB0-003	1260199
	BEARING D, CRANKSHAFT (GREEN)	4	5				8	13317-MB0-013	2016996
	BEARING E, CRANKSHAFT (YELLOW)	4	5				8	13318-MB0-003	1260207
	BEARING E, CRANKSHAFT (YELLOW)	4	5				8	13318-MB0-013	2017002

# CONTENTS

TITLE	PAGE	GRID
ALTERNATOR	18	B9
CAM CHAIN	10	B5
CAMSHAFT	8	B4
CARBURETOR ASSY.	44	C10
CARBURETOR COMPONENT	48	C12
CARBURETOR LINK	44	C10
CLUTCH	14	B7
CRANKCASE COVER, L.	20	B10
CRANKCASE COVER, R.	13	B6
CRANKSHAFT	30	C3
CROSS SHAFT	42	C9
CYLINDER BLOCK	26	C1
CYLINDER HEAD COVER	2	B1
CYLINDER HEAD, FR.	3	B1
CYLINDER HEAD, RR.	6	B3
GASKET KIT A	50	D1
GASKET KIT B	51	D1
GEARSHIFT DRUM	38	C7
OIL FILTER	23	B11
OIL PAN	23	B11
OIL PUMP	23	B11
PISTON	30	C3
PULSE ALTERNATOR	16	B8
STARTER CLUTCH	16	B8
STARTER MOTOR	22	B11
TENSIONER	10	B5
THERMOSTAT	40	C8
TRANSMISSION	36	C6
VALVE	8	B4
WATER PIPE	40	C8
WATER PUMP	20	B10

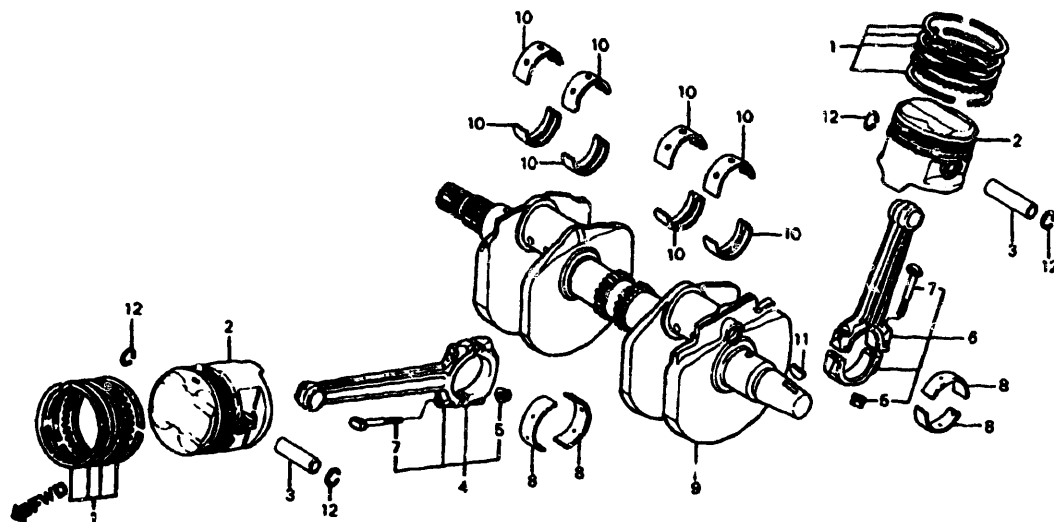
GRID

C4

VF700S'84 ENGINE NO.; RC22E-2000008 TO 2005978  
VF700S'84 FRAME NO.; RC220-EM000007 TO EM005012  
VF700S'84 ENGINE NO.; RC22E-2002575 TO 2006097  
VF700S'84 FRAME NO.; RC221-EM000006 TO EM001081

VF700S'85 ENGINE NO.; RC22E-2100001 TO 2103668  
VF700S'85 FRAME NO.; RC220-FM100001 TO FM102800  
VF700S'85 ENGINE NO.; RC22E-2100001 TO 2103285  
VF700S'85 FRAME NO.; RC221-FM100001 TO FM100863

# CRANKSHAFT • PISTON



**Crankshaft bearing selection**  
(Oil clearance 20~44 μm)

Crankcase I.D. 38φ	Crankshaft O.D. 38φ	1	2	3
		+0.008 0	0 -0.008	-0.008 -0.016
A	0 +0.008	E (Yellow)	D (Green)	C (Brown)
B	+0.008 +0.016	D (Green)	C (Brown)	B (Black)
C	+0.016 +0.024	C (Brown)	B (Black)	A (Blue)

**Connecting rod bearing selection**  
(Oil clearance 28~52 μm)

Connecting rod I.D. 38φ	Crank pin O.D. 38φ	A	B	C
		0 -0.008	-0.008 -0.016	-0.016 -0.024
1	0 +0.008	E (Yellow)	D (Green)	C (Brown)
2	+0.008 +0.016	D (Green)	C (Brown)	B (Black)
3	+0.016 +0.024	C (Brown)	B (Black)	A (Blue)

E14MB0E13T

4 = VF700S'84  
5 = VF700S'85

Ref. BLOCK NO. E-13  
No. DESCRIPTION

11 KEY, WOODRUFF .....  
12 CLIP, PISTON PIN, 18MM .....

V F 7 0 0 S  
V F 7 0 0 S  
A R E A  
C O D E

8 8  
4 5

ENGINE  
SERIAL NUMBER

FROM TO

Q T Y  
R E Q

PART NUMBER

HONDA  
CODE

1 90741-413-000 0957571  
8 94601-18000 0317305

# CONTENTS

TITLE	PAGE	GRID
ALTERNATOR	18	B9
CAM CHAIN	10	B5
CAMSHAFT	8	B4
CARBURETOR ASSY.	44	C10
CARBURETOR COMPONENT	48	C12
CARBURETOR LINK	44	C10
CLUTCH	14	B7
CRANKCASE COVER, L	20	B10
CRANKCASE COVER, R	13	B6
CRANKSHAFT	30	C3
CROSS SHAFT	42	C9
CYLINDER BLOCK	26	C1
CYLINDER HEAD COVER	2	B1
CYLINDER HEAD, FR.	3	B1
CYLINDER HEAD, RR.	6	B3
GASKET KIT A	50	D1
GASKET KIT B	51	D1
GEARSHIFT DRUM	38	C7
OIL FILTER	23	B11
OIL PAN	23	B11
OIL PUMP	23	B11
PISTON	30	C3
PULSE ALTERNATOR	16	B8
STARTER CLUTCH	16	B8
STARTER MOTOR	22	B11
TENSIONER	10	B5
THERMOSTAT	40	C8
TRANSMISSION	36	C6
VALVE	8	B4
WATER PIPE	40	C8
WATER PUMP	20	B10

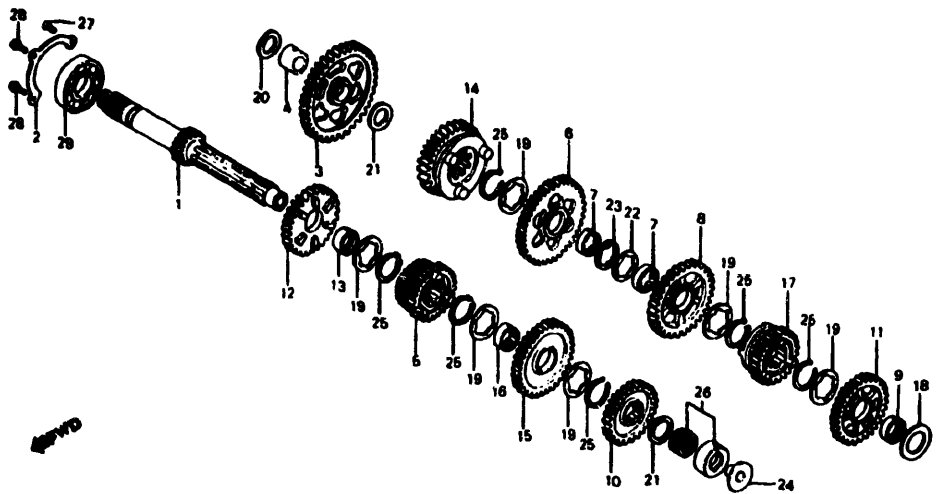
GRID

C5

VF700S'84 ENGINE NO.; RC22E-2000008 TO 2005978  
VF700S'84 FRAME NO.; RC220-EM000007 TO EM005012  
VF700S'84 ENGINE NO.; RC22E-2002575 TO 2006097  
VF700S'84 FRAME NO.; RC221-EM000006 TO EM001081

VF700S'85 ENGINE NO.; RC22E-2100001 TO 2103668  
VF700S'85 FRAME NO.; RC220-FM100001 TO FM102800  
VF700S'85 ENGINE NO.; RC22E-2100001 TO 2103285  
VF700S'85 FRAME NO.; RC221-FM100001 TO FM100863

# TRANSMISSION



E14MBOE14

Ref. No.	BLOCK NO. DESCRIPTION	E-14	VF700S		AREA CODE	ENGINE SERIAL NUMBER		QTY REQ	PART NUMBER	HONDA CODE
			4	5		FROM	TO			
	4 = VF700S'84 5 = VF700S'85		V	F	A					
			8	8						
			4	5						
1	MAINSHAFT (17T)		4	5				1	23211-MB0-000	1242676
2	PLATE, BEARING SETTING		4	5				1	23212-MB0-010	1781582
3	GEAR, COUNTERSHAFT LOW (39T)		4	5				1	23421-MB0-000	1242692
4	COLLAR, 20X11.8		4	5				1	23422-MB0-000	1242700
	COLLAR, 20X11.8		4	5				1	23422-MB0-010	2247674
5	GEAR, MAINSHAFT SECOND & THIRD (21T/24T)		4	5				1	23431-MB0-010	1372390
6	GEAR, COUNTERSHAFT SECOND (34T)		4	5				1	23441-MB0-000	1242726
7	COLLAR, SPLINE, 25X9.5		4	5				2	23442-MB0-000	1242734
8	GEAR, COUNTERSHAFT THIRD (31T)		4	5				1	23461-MB0-000	1242742
9	COLLAR, 25X10		4	5				1	23462-MB0-000	1242759
10	GEAR, MAINSHAFT FOURTH (27T)		4	5				1	23471-MB0-000	1242767
11	GEAR, COUNTERSHAFT FOURTH (29T)		4	5				1	23481-MB0-000	1242775
12	GEAR, MAINSHAFT FIFTH (29T)		4	5				1	23491-MB0-000	1242783
13	COLLAR, 25X12		4	5				1	23495-MB0-000	1242791
14	GEAR, COUNTERSHAFT FIFTH (26T)		4	5				1	23501-MB0-010	1457696

Ref. No.	BLOCK NO. DESCRIPTION	E-14	VF700S		AREA CODE	ENGINE SERIAL NUMBER		QTY REQ	PART NUMBER	HONDA CODE
			4	5		FROM	TO			
	4 = VF700S'84 5 = VF700S'85		V	F	A					
			8	8						
			4	5						
14	GEAR, COUNTERSHAFT FIFTH (26T)		4	5				1	23501-MB0-000	2525541
15	GEAR, MAINSHAFT SIXTH (32T)		4	5				1	23511-MB0-000	1242817
16	COLLAR, SPLINE, 25X12.5		4	5				1	23512-MB0-000	1242825
17	GEAR, COUNTERSHAFT SIXTH (24T)		4	5				1	23521-MB0-010	1372416
18	WASHER K, DRIVE PINION		4	5				1	41460-371-000	1243310
19	WASHER, THRUST, 25X34		4	5				6	90452-371-000	0409136
20	WASHER, THRUST, 20X1.05		4	5				AR	90453-MB0-770	1312735
	WASHER, THRUST, 20X1.00		4	5				AR	90454-428-000	0684902
	WASHER, THRUST, 20X0.95		4	5				AR	90455-MB0-770	1312743
	WASHER, THRUST, 20X0.90		4	5				AR	90456-MB0-770	1312750
	WASHER, THRUST, 20X0.85		4	5				AR	90457-MB0-770	1312768
21	WASHER, THRUST, 20X1.00		4	5				2	90454-428-000	0684902
22	WASHER B, THRUST, 25MM		4	5				1	90461-286-000	0172460
23	WASHER, LOCK, 25MM		4	5				1	90462-323-000	0255257
24	ORIFICE, PLATE		4	5				1	90558-MB0-000	1251396
25	CIRCLIP, 25MM		4	5				6	90601-300-000	0193482
26	BEARING, NEEDLE, 20MM		4	5				1	91022-415-008	0670976
27	SCREW, FLAT, 6X16		4	5				1	93600-06016-0A	0805358
28	BOLT, FLANGE, 6X16		4	5				2	96000-06016-00	1113687
	BOLT, FLANGE, 6X16		4	5				2	96001-06016-00	2105955
29	BEARING, RADIAL BALL, 6305		4	5				1	96100-63050-00	0674408

# CONTENTS

TITLE	PAGE	GRID
ALTERNATOR	18	B9
CAM CHAIN	10	B5
CAMSHAFT	8	B4
CARBURETOR ASSY	44	C10
CARBURETOR COMPONENT	48	C12
CARBURETOR LINK	44	C10
CLUTCH	14	B7
CRANKCASE COVER, L	20	B10
CRANKCASE COVER, R	13	B6
CRANKSHAFT	30	C3
CROSS SHAFT	42	C9
CYLINDER BLOCK	26	C1
CYLINDER HEAD COVER	2	B1
CYLINDER HEAD, FR	3	B1
CYLINDER HEAD, RR	6	B3
GASKET KIT A	50	D1
GASKET KIT B	51	D1
GEARSHIFT DRUM	38	C7
OIL FILTER	23	B11
OIL PAN	23	B11
OIL PUMP	23	B11
PISTON	30	C3
PULSE ALTERNATOR	16	B8
STARTER CLUTCH	16	B8
STARTER MOTOR	22	B11
TENSIONER	10	B5
THERMOSTAT	40	C8
TRANSMISSION	36	C6
VALVE	8	B4
WATER PIPE	40	C8
WATER PUMP	20	B10

GRID

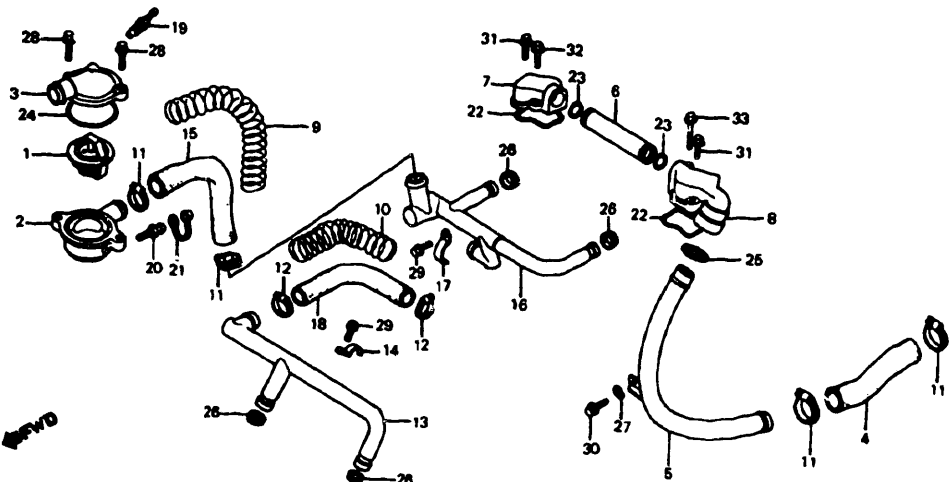
C6

VF700S'84 ENGINE NO.; RC22E-2000008 TO 2005978  
 VF700S'84 FRAME NO.; RC220-EM000007 TO EM005012  
 VF700S'84 ENGINE NO.; RC22E-2002575 TO 2006097  
 VF700S'84 FRAME NO.; RC221-EM000006 TO EM001081

VF700S'85 ENGINE NO.; RC22E-2100001 TO 2103668  
 VF700S'85 FRAME NO.; RC220-FM100001 TO FM102800  
 VF700S'85 ENGINE NO.; RC22E-2100001 TO 2103285  
 VF700S'85 FRAME NO.; RC221-FM100001 TO FM100863



# WATER PIPE • THERMOSTAT



E14MB0E16

Ref. No.	BLOCK NO. DESCRIPTION	E-16	VF700S		AREA CODE	ENGINE SERIAL NUMBER		QTY REQ	PART NUMBER	HONDA CODE
			84	85		FROM	TO			
4	VF700S'84									
5	VF700S'85									
1	THERMOSTAT	4 5						1	19300-MB0-003	1242155
2	CASE, THERMOSTAT	4 5						1	19311-MB1-000	1245646
3	COVER, THERMOSTAT	4 5						1	19315-MB0-770	1316595
4	HOSE, CONNECTING	4 5						1	19502-MB4-000	1386887
5	PIPE, WATER OUTLET CONNECTING	4 5						1	19504-MB0-000	1242197
6	PIPE, CONNECTING	4 5						1	19507-MB0-000	1242205
7	CAP A, CONNECTING	4 5						1	19508-MB0-000	1242213
8	CAP B, CONNECTING PIPE	4 5						1	19509-MB0-000	1242221
9	WIRE A, GUARD	4						1	19511-MB1-000	1245661
	WIRE A, GUARD		5					1	19511-MB4-680	1811124
10	WIRE B, GUARD	4 5						1	19512-MB3-003	1742386
11	CLAMP, WATER HOSE	4						4	50228-MB0-000	1243328
	CLAMP A, WATER HOSE		5					4	19516-MJ8-000	1760222
12	CLAMP, WATER HOSE	4						2	19506-KA4-000	1039635
	CLAMP B, WATER HOSE		5					2	19517-MB6-000	1742410
13	PIPE A, WATER	4 5						1	19520-MB0-000	1242247

Ref. No.	BLOCK NO. DESCRIPTION	E-16	VF700S		AREA CODE	ENGINE SERIAL NUMBER		QTY REQ	PART NUMBER	HONDA CODE
			84	85		FROM	TO			
4	VF700S'84									
5	VF700S'85									
14	CLAMP A, WATER PIPE	4 5						1	19524-MB0-000	1242254
15	HOSE, WATER	4 5						1	19526-MB1-000	1245679
16	PIPE B, WATER	4 5						1	19530-MB0-000	1242270
17	CLAMP B, WATER PIPE	4 5						1	19534-MB2-000	1428119
18	HOSE B, WATER	4 5						1	19536-MB0-000	1242296
19	SENDING UNIT, WATER TEMPERATURE (ND)	4 5						1	37750-PC1-004	1130780
20	SCREW, BLEEDER	4 5						1	43352-568-003	0505735
21	CAP, BLEEDER SCREW	4 5						1	43353-461-771	0954230
22	GASKET, CONNECTING CAP	4 5						2	91301-MB0-000	1243880
23	O-RING, 18.3X2.3 (ARAI)	4 5						2	91301-147-023	1005453
24	O-RING, 58X2	4 5						1	91307-MB0-003	1260827
25	SEAL, WATER PIPE	4 5						1	91315-MB0-013	1435239
26	O-RING, 13X2.5	4 5						4	91335-567-000	0422428
27	WASHER, PLAIN, 6MM	4 5						1	94101-06000	0059071
	WASHER, PLAIN, 6MM		5					1	94101-06080	3136074
	WASHER, PLAIN, 6MM		5					1	94101-06800	0345900
28	BOLT, FLANGE, 5X22	4 5						2	95700-06022-00	0483925
	BOLT, FLANGE, 6X22		5					2	95701-06022-00	2105823
29	BOLT, FLANGE, 6X14	4 5						2	96000-06014-00	0782854
	BOLT, FLANGE, 6X14		5					2	96001-06014-00	2154672
30	BOLT, FLANGE, 6X16	4 5						1	96000-06016-00	1113687
	BOLT, FLANGE, 6X16		5					1	96001-06016-00	2105955
31	BOLT, FLANGE, 6X22	4 5						2	96000-06022-07	1292234
	BOLT, FLANGE, 6X22		5					2	96001-06022-07	2105971
32	BOLT, FLANGE, 6X25	4 5						1	96000-06025-07	1251941
	BOLT, FLANGE, 6X25		5					1	96001-06025-07	2105997
33	BOLT, FLANGE, 6X35	4 5						1	96000-06035-07	0807362
	BOLT, FLANGE, 6X35		5					1	96001-06035-07	2533891

# CONTENTS

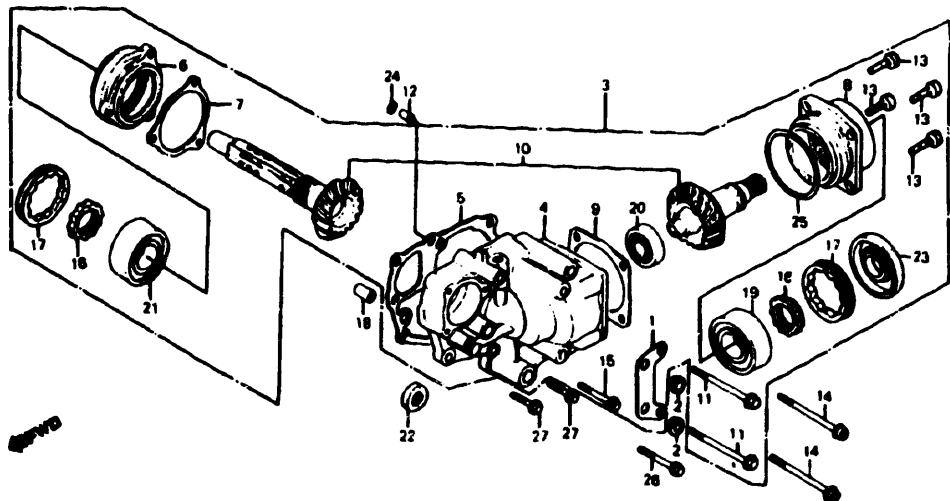
TITLE	PAGE	GRID
ALTERNATOR	18	B9
CAM CHAIN	10	B5
CAMSHAFT	8	B4
CARBURETOR ASSY	44	C10
CARBURETOR COMPONENT	48	C12
CARBURETOR LINK	44	C10
CLUTCH	14	B7
CRANKCASE COVER, L	20	B10
CRANKCASE COVER, R	13	B6
CRANKSHAFT	30	C3
CROSS SHAFT	42	C9
CYLINDER BLOCK	26	C1
CYLINDER HEAD COVER	2	B1
CYLINDER HEAD, FR.	3	B1
CYLINDER HEAD, RR.	6	B3
GASKET KIT A	50	D1
GASKET KIT B	51	D1
GEARSHIFT DRUM	38	C7
OIL FILTER	23	B11
OIL PAN	23	B11
OIL PUMP	23	B11
PISTON	30	C3
PULSE ALTERNATOR	16	B8
STARTER CLUTCH	16	B8
STARTER MOTOR	22	B11
TENSIONER	10	B5
THERMOSTAT	40	C8
TRANSMISSION	36	C6
VALVE	8	B4
WATER PIPE	40	C8
WATER PUMP	20	B10

VF700S'84 ENGINE NO.; RC22E-2000008 TO 2005978  
 VF700S'84 FRAME NO.; RC220-EM000007 TO EM005012  
 VF700S'84 ENGINE NO.; RC22E-2002575 TO 2006097  
 VF700S'84 FRAME NO.; RC221-EM000006 TO EM001081

VF700S'85 ENGINE NO.; RC22E-2100001 TO 2103668  
 VF700S'85 FRAME NO.; RC220-FM100001 TO FM102800  
 VF700S'85 ENGINE NO.; RC22E-2100001 TO 2103285  
 VF700S'85 FRAME NO.; RC221-FM100001 TO FM100863



# CROSS SHAFT



E14MBOE17

Ref. No.	BLOCK NO. E-17	DESCRIPTION	VF700S		AREA CODE	ENGINE SERIAL NUMBER		QTY REQ	PART NUMBER	HONDA CODE
			4	5		FROM	TO			
1		COVER, CLUTCH	4	5				1	11342-MB0-000	1240829
2		GROMMET B, RR. COVER	4	5				2	11345-MB0-000	1240852
3		CASE ASSY., SIDE GEAR	4	5				1	21100-MB0-870	1723097
4		CASE COMP., SIDE GEAR	4	5				1	21200-MB0-000	1242312
5		GASKET, SIDE GEAR CASE	4	5				1	21291-MB0-770	1290758
6		HOLDER, COUNTERSHAFT BEARING	4	5				1	21301-MB0-000	1245687
7		SHIM, COUNTERSHAFT (0.40)	4	5				AR	21321-MB0-770	1290824
		SHIM, COUNTERSHAFT (0.45)	4	5				AR	21322-MB0-770	1290832
		SHIM, COUNTERSHAFT (0.50)	4	5				AR	21323-MB0-770	1290857
		SHIM, COUNTERSHAFT (0.55)	4	5				AR	21324-MB0-770	1290865
		SHIM, COUNTERSHAFT (0.60)	4	5				AR	21325-MB0-770	1290881
8		HOLDER, CROSS SHAFT BEARING	4	5				1	21371-MB0-000	1242510
9		SHIM, CROSS SHAFT (0.40)	4	5				AR	21381-MB0-770	1290907
		SHIM, CROSS SHAFT (0.45)	4	5				AR	21382-MB0-770	1290931
		SHIM, CROSS SHAFT (0.50)	4	5				AR	21383-MB0-770	1290949
		SHIM, CROSS SHAFT (0.55)	4	5				AR	21384-MB0-770	1290956

Ref. No.	BLOCK NO. E-17	DESCRIPTION	VF700S		AREA CODE	ENGINE SERIAL NUMBER		QTY REQ	PART NUMBER	HONDA CODE
			4	5		FROM	TO			
4		SHIM, CROSS SHAFT (0.60)	4	5				AR	21385-MB0-770	1290980
10		SHAFT SET, CROSS	4	5				1	23200-MB0-870	1723105
11		BOLT, UBS, 8X100	4	5				2	90004-422-000	0690537
12		ORIFICE, OIL CONTROL	4	5				1	90049-MB0-000	1243484
13		BOLT, SOCKET, 8X22	4	5				4	90061-MB0-000	1243500
14		BOLT, FLANGE SOCKET, 8X85	4	5				2	90062-MB0-000	1243518
15		BOLT, UBS, 8X60	4	5				1	90063-MB0-003	1243526
16		NUT, LOCK, 30MM	4	5				2	90241-MB0-000	1243559
17		NUT, LOCK, 64MM	4	5				2	90242-MB0-000	1243567
18		ORIFICE, PIN, 10X16	4	5				1	90703-MB0-000	1243732
19		BEARING, BALL, 5206 (TOYO)	4	5				1	91008-300-008	0315356
20		BEARING, BALL, 6303 (KOYO)	4	5				1	91011-MB0-003	1243757
		BEARING, BALL, 6303 (TOYO)	4	5				1	91011-MB0-004	1243765
21		BEARING, RADIAL BALL, 5206	4	5				1	91012-MB0-003	1243773
22		OIL SEAL, 8X25X8	4	5				1	91204-MB0-003	1331099
		OIL SEAL, 8X25X8 (ARAI)	4	5				1	91204-MB0-013	2952943
23		OIL SEAL, 25X66X8.5 (ARAI)	4	5				1	91205-MB0-771	1312776
		OIL SEAL, 25X66X8.5 (ARAI)	4	5				1	91205-MG7-003	1562446
24		O-RING, 5.7X2.2 (ARAI)	4	5				1	91308-MB0-003	1260835
25		O-RING, 3X70	4	5				1	91314-MJ0-000	1690767
		O-RING, 70X3	4	5				1	91314-300-000	0483826
26		BOLT, FLANGE, 8X65	4	5				1	95700-08065-00	0671230
		BOLT, FLANGE, 8X65	4	5				1	95701-08065-00	2529113
27		BOLT, FLANGE, 6X28	4	5				2	96000-06028-00	0799072
		BOLT, FLANGE, 6X28	4	5				2	96001-06028-00	2106003

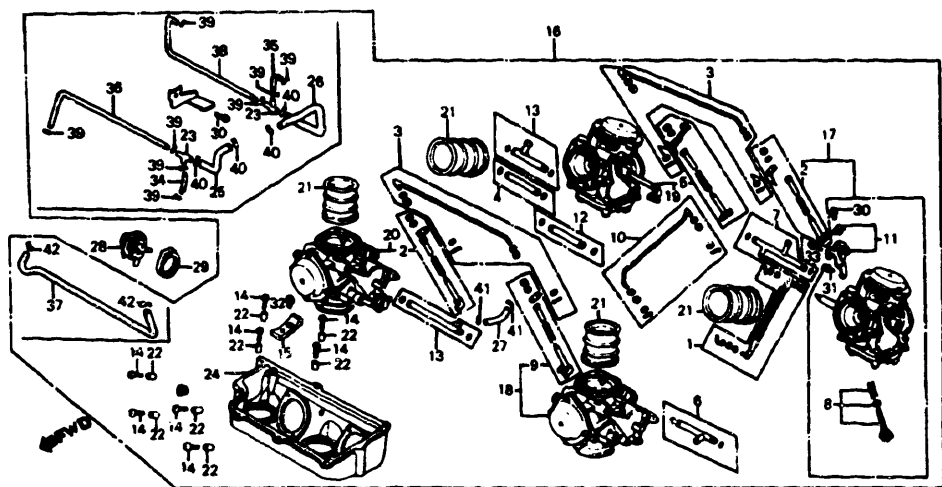
# CONTENTS

TITLE	PAGE	GRID
ALTERNATOR	18	B9
CAM CHAIN	10	B5
CAMSHAFT	8	B4
CARBURETOR ASSY.	44	C10
CARBURETOR COMPONENT	48	C12
CARBURETOR LINK	44	C10
CLUTCH	14	B7
CRANKCASE COVER L	20	B10
CRANKCASE COVER R	13	B6
CRANKSHAFT	30	C3
CROSS SHAFT	42	C9
CYLINDER BLOCK	26	C1
CYLINDER HEAD COVER	2	B1
CYLINDER HEAD, FR.	3	B1
CYLINDER HEAD, RR.	6	B3
GASKET KIT A	50	D1
GASKET KIT B	51	D1
GEARSHIFT DRUM	38	C7
OIL FILTER	23	B11
OIL PAN	23	B11
OIL PUMP	23	B11
PISTON	30	C3
PULSE ALTERNATOR	16	B8
STARTER CLUTCH	16	B8
STARTER MOTOR	22	B11
TENSIONER	10	B5
THERMOSTAT	40	C8
TRANSMISSION	36	C6
VALVE	8	B4
WATER PIPE	40	C8
WATER PUMP	20	B10

VF700S'84 ENGINE NO.; RC22E-2000008 TO 2005978  
 VF700S'84 FRAME NO.; RC220-EM000007 TO EM005012  
 VF700S'84 ENGINE NO.; RC22E-2002575 TO 2006097  
 VF700S'84 FRAME NO.; RC221-EM000006 TO EM001081

VF700S'85 ENGINE NO.; RC22E-2100001 TO 2103668  
 VF700S'85 FRAME NO.; RC220-FM100001 TO FM102800  
 VF700S'85 ENGINE NO.; RC22E-2100001 TO 2103285  
 VF700S'85 FRAME NO.; RC221-FM100001 TO FM100863

# CARBURETOR ASSY. • CARBURETOR LINK



E14MB0E18

Ref. No.	BLOCK NO. DESCRIPTION	VF700S		AREA CODE	ENGINE SERIAL NUMBER		QTY REQ	PART NUMBER	HONDA CODE
		4	5		FROM	TO			
4	VF700S'84								
5	VF700S'85								
1	LEVER SET A, LINK	4	5				1	16017-MB0-672	1435247
2	LINK SET A, STARTER	4	5				2	16018-MB0-671	1241793
	LINK SET A, STARTER	4	5				2	16018-MK3-771	2536555
3	ROD SET A, STARTER LINK	4	5				2	16019-MB0-671	1241801
4	JOINT SET C, FUEL	4	5				1	16022-MB1-771	1313964
5	LINK SET B, STARTER	4	5				1	16025-MB0-671	1241819
	LINK SET B, STARTER	4	5				1	16025-MK3-771	2536563
6	JOINT SET A, FUEL	4	5				1	16026-MB0-671	1241827
7	JOINT SET E, FUEL	4	5				1	16027-MB2-004	1723113
8	SCREW SET (B)	4	5				1	16028-KR3-671	2039949
	SCREW SET (B)	4	5				1	16028-MB0-671	1241835
9	LINK SET C, STARTER	4	5				1	16031-MB0-671	1241850
10	ROD SET B, STARTER LINK	4	5				1	16032-MB0-671	1241868
11	PLATE SET, STAY	4	5				1	16035-MB0-671	1241876
12	JOINT SET D, FUEL	4	5				1	16042-MB1-771	1313972

Ref. No.	BLOCK NO. DESCRIPTION	VF700S		AREA CODE	ENGINE SERIAL NUMBER		QTY REQ	PART NUMBER	HONDA CODE
		4	5		FROM	TO			
4	VF700S'84								
5	VF700S'85								
13	JOINT SET B, FUEL	4	5	A			2	16047-MB0-771	1384965
		4	5	AC			1	16047-MB0-771	1384965
14	SCREW, PAN	4	5				8	16080-MB0-671	1241959
15	PLATE, SETTING	4	5				1	16094-MB0-671	1241967
16	CARBURETOR ASSY.	4		A			1	16100-MB0-871	1780980
			5	A		2106014	1	16100-MB0-871	1780980
	CARBURETOR ASSY.	4	5	A			1	16100-MB0-872	2424554
			5	A		2106014	1	16100-MB0-872	2424554
	CARBURETOR ASSY.	4	5	AC			1	16100-MB0-881	1780998
17	CARBURETOR ASSY. 1	4		A			1	16101-MB0-871	1781004
			5	A		VD50E B	1	16101-MB0-871	1781004
	CARBURETOR ASSY. 1	4		A			1	16101-MB0-872	2431930
			5	A		VD50E B	1	16101-MB0-872	2431930
			5	A		VD50E C	1	16101-MB0-872	2431930
	CARBURETOR ASSY. 1	4	5	AC			1	16101-MB0-881	1781012
18	CARBURETOR ASSY. 2	4		A			1	16102-MB0-871	1781020
			5	A		VD50E B	1	16102-MB0-871	1781020
	CARBURETOR ASSY. 2	4		A			1	16102-MB0-872	2431948
			5	A		VD50E B	1	16102-MB0-872	2431948
			5	A		VD50E C	1	16102-MB0-872	2431948
	CARBURETOR ASSY. 2	4	5	AC			1	16102-MB0-881	1781038
19	CARBURETOR ASSY. 3	4		A			1	16103-MB0-871	1781046
			5	A		VD50E B	1	16103-MB0-871	1781046
	CARBURETOR ASSY. 3	4		A			1	16103-MB0-872	2431955
			5	A		VD50E B	1	16103-MB0-872	2431955
			5	A		VD50E C	1	16103-MB0-872	2431955
	CARBURETOR ASSY. 3	4	5	AC			1	16103-MB0-881	1781053
20	CARBURETOR ASSY. 4	4		A			1	16104-MB0-871	1781061
			5	A		VD50E B	1	16104-MB0-871	1781061
	CARBURETOR ASSY. 4	4		A			1	16104-MB0-872	2431963
			5	A		VD50E B	1	16104-MB0-872	2431963
			5	A		VD50E C	1	16104-MB0-872	2431963
	CARBURETOR ASSY. 4	4	5	AC			1	16104-MB0-881	1781079
21	FUNNEL, AIR	4	5				4	16141-MB0-672	1317064
22	PIN, KNOCK	4	5				8	16178-MB0-671	1244177
23	T-JOINT	4	5	AC			2	16180-MB2-881	1707868

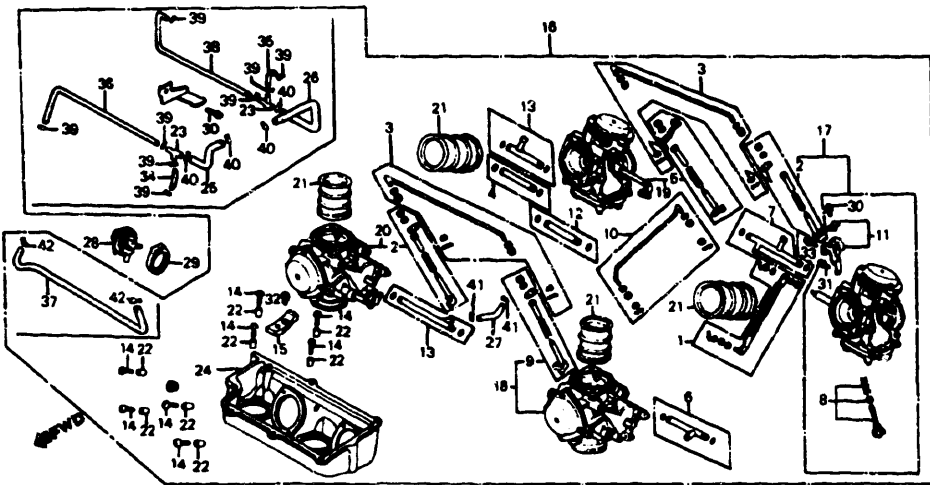
# CONTENTS

TITLE	PAGE	GRID
ALTERNATOR	18	B9
CAM CHAIN	10	B5
CAMSHAFT	8	B4
CARBURETOR ASSY.	44	C10
CARBURETOR COMPONENT	48	C12
CARBURETOR LINK	44	C10
CLUTCH	14	B7
CRANKCASE COVER L	20	B10
CRANKCASE COVER R	13	B6
CRANKSHAFT	30	C3
CROSS SHAFT	42	C9
CYLINDER BLOCK	26	C1
CYLINDER HEAD COVER	2	B1
CYLINDER HEAD, FR.	3	B1
CYLINDER HEAD, RR.	6	B3
GASKET KIT A	50	D1
GASKET KIT B	51	D1
GEARSHIFT DRUM	38	C7
OIL FILTER	23	B11
OIL PAN	23	B11
OIL PUMP	23	B11
PISTON	30	C3
PULSE ALTERNATOR	16	B8
STARTER CLUTCH	16	B8
STARTER MOTOR	22	B11
TENSIONER	10	B5
THERMOSTAT	40	C8
TRANSMISSION	36	C6
VALVE	8	B4
WATER PIPE	40	C8
WATER PUMP	20	B10

VF700S'84 ENGINE NO.; RC22E-2000008 TO 2005978  
 VF700S'84 FRAME NO.; RC220-EM000007 TO EM005012  
 VF700S'84 ENGINE NO.; RC22E-2002575 TO 2006097  
 VF700S'84 FRAME NO.; RC221-EM000006 TO EM001081

VF700S'85 ENGINE NO.; RC22E-2100001 TO 2103668  
 VF700S'85 FRAME NO.; RC220-FM100001 TO FM102800  
 VF700S'85 ENGINE NO.; RC22E-2100001 TO 2103285  
 VF700S'85 FRAME NO.; RC221-FM100001 TO FM100863

# CARBURETOR ASSY. • CARBURETOR LINK



E14MB/E18

Ref. No.	BLOCK NO. E-18 DESCRIPTION	VF700S		AREA CODE	ENGINE SERIAL NUMBER		QTY REQ	PART NUMBER	HONDA CODE
		4	5		FROM	TO			
4 = VF700S'84 5 = VF700S'85									
24	BASE, AIR CLEANER	4	5	A	-----	VD50E B	1	16188-MB0-871	2441095
		4	5	A	-----	VD50E C	1	16188-MB0-871	2441095
		4	5	A	-----	VD50E B	1	16188-MB1-672	1442201
		4	5	A	-----	VD50E B	1	16188-MB1-672	1442201
		4	5	AC	-----	-----	1	16188-MB0-881	1781178
25	TUBE	4	5	AC	-----	-----	1	16198-MB1-881	1781186
26	TUBE	4	5	AC	-----	-----	1	16199-MB1-881	1707884
27	TUBE, AIR VENT	4	5		-----	-----	1	16199-MB4-621	1426097
28	VALVE COMP., PURGE CONTROL	4	5	AC	-----	-----	1	17440-MB4-880	1546282
29	RUBBER, PURGE CONTROL VALVE MOUNTING	4	5	AC	-----	-----	1	17451-ME5-760	1557156
30	SCREW-WASHER, 4X10	4	5	A	-----	-----	1	93892-04010-00	0962985
		4	5	AC	-----	-----	2	93892-04010-00	0962985
31	SCREW-WASHER, 4X12	4	5		-----	-----	1	93892-04014-00	0692046
32	SCREW-WASHER, 5X8	4	5		-----	-----	1	93892-05008-08	0791335
33	SCREW-WASHER, 5X12	4	5		-----	-----	1	93892-05012-00	0691808

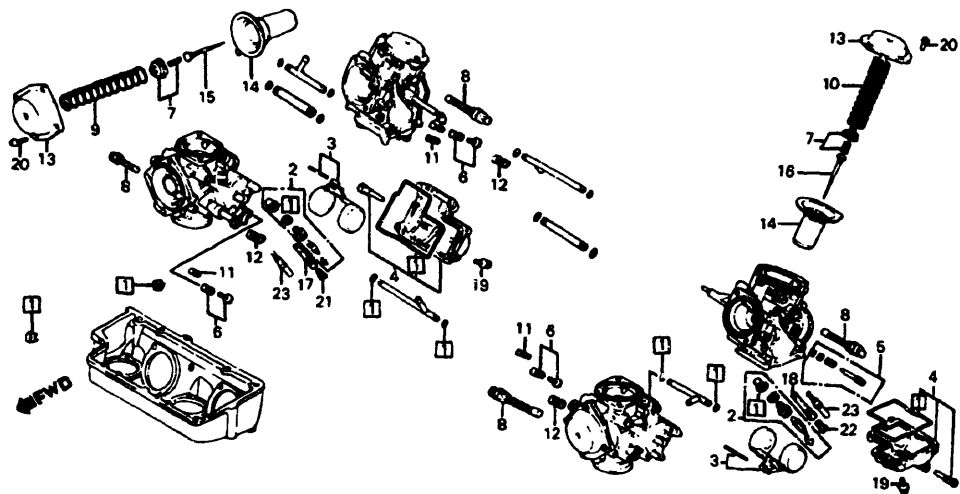
VF700S'84 ENGINE NO.; RC22E-2000008 TO 2005978  
 VF700S'84 FRAME NO.; RC220-EM000007 TO EM005012  
 VF700S'84 ENGINE NO.; RC22E-2002575 TO 2006097  
 VF700S'84 FRAME NO.; RC221-EM000006 TO EM001081

VF700S'85 ENGINE NO.; RC22E-2100001 TO 2103668  
 VF700S'85 FRAME NO.; RC220-FM100001 TO FM102800  
 VF700S'85 ENGINE NO.; RC22E-2100001 TO 2103285  
 VF700S'85 FRAME NO.; RC221-FM100001 TO FM100863

Ref. No.	BLOCK NO. E-18 DESCRIPTION	VF700S		AREA CODE	ENGINE SERIAL NUMBER		QTY REQ	PART NUMBER	HONDA CODE
		4	5		FROM	TO			
4 = VF700S'84 5 = VF700S'85									
34	TUBE, 3.5X70 (BULK HOSE: 95001-35003-40M)	4	5	AC	-----	-----	1	95001-35070-40	0451807
35	TUBE, 3.5X80 (BULK HOSE: 95001-35003-40M)	4	5	AC	-----	-----	1	95001-35080-40	0692087
36	TUBE, 3.5X180 (BULK HOSE: 95001-35001-40M)	4	5	AC	-----	-----	1	95001-35180-40	0335109
37	TUBE, 3.5X200 (BULK HOSE: 95001-35001-40M)	4	5	AC	-----	-----	1	95001-35200-40	0371948
38	TUBE, 3.5X210 (BULK HOSE: 95001-35001-40M)	4	5	AC	-----	-----	1	95001-35210-40	0299768
39	CLIP, TUBE, B7	4	5	AC	-----	-----	8	95002-02070	0250639
40	CLIP, TUBE, B10	4	5	AC	-----	-----	4	95002-02100	0250985
41	CLIP, TUBE, B12	4	5		-----	-----	2	95002-02120	0335034
42	CLIP, BREATHER TUBE	4	5	AC	-----	-----	2	15772-500-010	0346569
	CLIP, BREATHER TUBE	4	5	AC	-----	-----	2	15772-500-013	0484089

CONTENTS		
TITLE	PAGE	GRID
ALTERNATOR	18	B9
CAM CHAIN	10	B5
CAMSHAFT	8	B4
CARBURETOR ASSY.	44	C10
CARBURETOR COMPONENT	48	C12
CARBURETOR LINK	44	C10
CLUTCH	14	B7
CRANKCASE COVER, L	20	B10
CRANKCASE COVER, R	13	B6
CRANKSHAFT	30	C3
CROSS SHAFT	42	C9
CYLINDER BLOCK	26	C1
CYLINDER HEAD COVER	2	B1
CYLINDER HEAD, FR	3	B1
CYLINDER HEAD, RR	6	B3
GASKET KIT A	50	D1
GASKET KIT B	51	D1
GEARSHIFT DRUM	38	C7
OIL FILTER	23	B11
OIL PAN	23	B11
OIL PUMP	23	B11
PISTON	30	C3
PULSE ALTERNATOR	16	B8
STARTER CLUTCH	16	B8
STARTER MOTOR	22	B11
TENSIONER	10	B5
THERMOSTAT	40	C8
TRANSMISSION	36	C6
VALVE	8	B4
WATER PIPE	40	C8
WATER PUMP	20	B10

# CARBURETOR COMPONENT



E14MB0E1801

Ref. No.	BLOCK NO. E-18-1 DESCRIPTION	VF700S		AREA CODE	ENGINE SERIAL NUMBER		QTY REQ	PART NUMBER	HONDA CODE
		4	5		FROM	TO			
4 = VF700S'84 5 = VF700S'85									
1	GASKET SET	4	5	A	-----	-----	4	16010-MB0-671	1241736
	GASKET SET	4	5	A	-----	-----	4	16010-MB0-871	3516416
	GASKET SET	4	5	AC	-----	-----	4	16010-MB4-621	1426014
	GASKET SET	4	5	AC	-----	-----	4	16010-MB4-622	2249340
	GASKET SET	4	5	AC	-----	-----	4	16010-MB6-305	3911518
	GASKET SET	4	5	AC	-----	-----	4	16010-MB6-681	2076362
2	VALVE SET, FLOAT	4	5		-----	-----	4	16011-MB1-671	1435254
3	FLOAT SET	4	5		-----	-----	4	16013-MB0-671	1241751
4	CHAMBER SET, FLOAT	4	5		-----	-----	4	16015-MB0-671	1241769
5	SCREW SET A	4	5		-----	-----	4	16016-MF5-671	1438027
6	SCREW SET C	4	5		-----	-----	3	16029-MB0-671	1241843
7	PLATE SET, VALVE	4	5		-----	-----	4	16037-MB0-671	1241884
8	VALVE SET, STARTER	4	5		-----	-----	4	16046-MA6-003	1241892
9	SPRING, FR. VACUUM PISTON	4	5		-----	-----	2	16050-MB0-671	1241918
10	SPRING, RR. VACUUM PISTON	4	5		-----	-----	2	16051-MB0-671	1241926
11	SPRING	4	5		-----	-----	3	16052-MB0-671	1241934

Ref. No.	BLOCK NO. E-18-1 DESCRIPTION	VF700S		AREA CODE	ENGINE SERIAL NUMBER		QTY REQ	PART NUMBER	HONDA CODE
		4	5		FROM	TO			
4 = VF700S'84 5 = VF700S'85									
12	SPRING	4	5		-----	-----	3	16053-MB0-671	1241942
13	TOP COMP.	4	5	A	-----	-----	4	16107-KE8-004	1540301
	TOP COMP.	4	5		-----	-----	4	16107-MB0-671	1242023
	TOP COMP.	4	5		-----	-----	4	16108-ME5-671	1365378
14	PISTON COMP., VACUUM	4	5		-----	-----	4	16111-MB0-871	1781087
15	NEEDLE, FR. JET	4	5		-----	-----	2	16131-MB0-701	1781103
	NEEDLE, RR. JET	4	5		-----	-----	2	16151-MB0-771	1317098
16	NEEDLE, FR. JET	4	5		-----	-----	2	16131-MB0-701	1781103
	JET, NEEDLE (F)	4	5		-----	-----	2	16131-MB0-871	1781111
	JET, NEEDLE (F)	4	5		-----	-----	2	16131-MB3-881	1782994
	NEEDLE, RR. JET	4	5		-----	-----	2	16151-MB0-771	1317098
	JET, NEEDLE (F)	4	5		-----	-----	2	16151-MB0-881	1781129
17	HOLDER, JET NEEDLE	4	5		-----	-----	2	16155-MB0-871	1781137
18	HOLDER, JET NEEDLE	4	5		-----	-----	2	16167-MB0-871	1781152
19	SCREW, PAN, 4X10	4	5		-----	-----	16	93500-04010-0A	0188359
20	SCREW-WASHER, 4X16	4	5		-----	-----	16	93892-04016-00	0692053
21	JET, MAIN, #95	4	5	AC	-----	-----	2	99101-393-0950	0481861
	JET, MAIN, #122	4	5	A	-----	-----	2	99101-393-1220	1390491
22	JET, MAIN, #98	4	5	AC	-----	-----	2	99101-393-0980	0476697
	JET, MAIN #130	4	5	A	-----	-----	2	99101-393-1300	1265271
	JET, SECONDARY MAIN (#98)	4	5	AC	-----	-----	2	99102-393-0980	0692111
	JET, SECONDARY MAIN, #130	4	5	A	-----	-----	2	99102-393-1300	1782663
23	JET, SLOW, #40	4	5		-----	-----	4	99103-437-0400	1317106

# CONTENTS

TITLE	PAGE	GRID
ALTERNATOR	18	B9
CAM CHAIN	10	B5
CAMSHAFT	8	B4
CARBURETOR ASSY.	44	C10
CARBURETOR COMPONENT	48	C12
CARBURETOR LINK	44	C10
CLUTCH	14	B7
CRANKCASE COVER, L.	20	B10
CRANKCASE COVER, R.	13	B6
CRANKSHAFT	30	C3
CROSS SHAFT	42	C9
CYLINDER BLOCK	26	C1
CYLINDER HEAD COVER	2	B1
CYLINDER HEAD, FR.	3	B1
CYLINDER HEAD, RR.	6	B3
GASKET KIT A	50	D1
GASKET KIT B	51	D1
GEARSHIFT DRUM	38	C7
OIL FILTER	23	B11
OIL PAN	23	B11
OIL PUMP	23	B11
PISTON	30	C3
PULSE ALTERNATOR	16	B8
STARTER CLUTCH	16	B8
STARTER MOTOR	22	B11
TENSIONER	10	B5
THERMOSTAT	40	C8
TRANSMISSION	36	C6
VALVE	8	B4
WATER PIPE	40	C8
WATER PUMP	20	B10

VF700S'84 ENGINE NO.; RC22E-2000008 TO 2005978  
 VF700S'84 FRAME NO.; RC220-EM000007 TO EM005012  
 VF700S'84 ENGINE NO.; RC22E-2002575 TO 2006097  
 VF700S'84 FRAME NO.; RC221-EM000006 TO EM001081

VF700S'85 ENGINE NO.; RC22E-2100001 TO 2103668  
 VF700S'85 FRAME NO.; RC220-FM100001 TO FM102800  
 VF700S'85 ENGINE NO.; RC22E-2100001 TO 2103285  
 VF700S'85 FRAME NO.; RC221-FM100001 TO FM100863

# GASKET KIT A

NOILL

Ref. No.	BLOCK NO. DESCRIPTION	VF700S		AREA CODE	ENGINE SERIAL NUMBER		QTY REQ	PART NUMBER	HONDA CODE
		4	5		FROM	TO			
	4 = VF700S'84 5 = VF700S'85	V	F	A					
		8	8	C					
		4	5	E					
1	SEAL, VALVE STEM	4	5		-----	-----	16	12209-422-005	0688887
2	GASKET, CYLINDER HEAD	4	5		-----	-----	2	12251-MB0-003	1240977
3	GASKET, HEAD COVER	4	5		-----	-----	3	12391-MB0-000	1241017
	GASKET, HEAD COVER	4	5		-----	-----	3	12391-MB0-010	2094035
4	GASKET A, EX. PIPE	4	5		-----	-----	4	18291-216-000	0028241
5	WASHER, OIL BOLT	4	5		-----	-----	6	90545-300-000	0189902
6	O-RING, 21.5X2	4	5		-----	-----	8	91310-KE8-003	1425602

# GASKET KIT B

NOILL

Ref. No.	BLOCK NO. DESCRIPTION	VF700S		AREA CODE	ENGINE SERIAL NUMBER		QTY REQ	PART NUMBER	HONDA CODE
		4	5		FROM	TO			
	4 = VF700S'84 5 = VF700S'85	V	F	A					
		8	8	C					
		4	5	E					
1	GASKET, OIL PAN	4	5		-----	-----	1	11315-MB0-010	1441724
2	GASKET, R. COVER	4	5		-----	-----	1	11394-MB0-000	1240860
3	GASKET, ALTERNATOR COVER	4	5		-----	-----	1	11636-MB0-000	1240886
4	GASKET, INDICATOR SWITCH COVER	4	5		-----	-----	1	11642-MB0-000	1240902
5	GASKET, SIDE GEAR CASE	4	5		-----	-----	1	21291-MB0-770	1290758
6	INSULATOR, CLUTCH SLAVE CYLINDER	4	5		-----	-----	1	22862-MB0-770	1291202
7	WASHER, 11MM	4	5		-----	-----	1	90425-300-000	0189795
8	GASKET, CONNECTING CAP	4	5		-----	-----	2	91301-MB0-000	1243880
9	O-RING, 18.3X2.3 (ARAI)	4	5		-----	-----	2	91301-147-023	1005453
10	O-RING, 22X3.0	4	5		-----	-----	1	91301-250-000	0035287
	O-RING, 22X3.0	4	5		-----	-----	1	91307-425-003	1216126
11	O-RING, 32.95X2.62 (ARAI)	4	5		-----	-----	1	91302-MB0-013	1435114
12	O-RING, 58X2	4	5		-----	-----	1	91307-MB0-003	1260827
13	O-RING, 5.7X2.2 (ARAI)	4	5		-----	-----	1	91308-MB0-003	1260835
14	O-RING, 14.6X3.7 (ARAI)	4	5		-----	-----	1	91309-MB0-003	1260843
15	O-RING, 18.5X2.4 (ARAI)	4	5		-----	-----	1	91311-MB0-003	1260850

# CONTENTS

TITLE	PAGE	GRID
ALTERNATOR	18	B9
CAM CHAIN	10	B5
CAMSHAFT	8	B4
CARBURETOR ASSY.	44	C10
CARBURETOR COMPONENT	48	C12
CARBURETOR LINK	44	C10
CLUTCH	14	B7
CRANKCASE COVER, L	20	B10
CRANKCASE COVER, R	13	B6
CRANKSHAFT	30	C3
CROSS SHAFT	42	C9
CYLINDER BLOCK	26	C1
CYLINDER HEAD COVER	2	B1
CYLINDER HEAD, FR.	3	B1
CYLINDER HEAD, RR.	6	B3
GASKET KIT A	50	D1
GASKET KIT B	51	D1
GEARSHIFT DRUM	38	C7
OIL FILTER	23	B11
OIL PAN	23	B11
OIL PUMP	23	B11
PISTON	30	C3
PULSE ALTERNATOR	16	B8
STARTER CLUTCH	16	B8
STARTER MOTOR	22	B11
TENSIONER	10	B5
THERMOSTAT	40	C8
TRANSMISSION	36	C6
VALVE	8	B4
WATER PIPE	40	C8
WATER PUMP	20	B10

VF700S'84 ENGINE NO.; RC22E-2000008 TO 2005978  
 VF700S'84 FRAME NO.; RC220-EM000007 TO EM005012  
 VF700S'84 ENGINE NO.; RC22E-2002575 TO 2006097  
 VF700S'84 FRAME NO.; RC221-EM000006 TO EM001081

VF700S'85 ENGINE NO.; RC22E-2100001 TO 2103668  
 VF700S'85 FRAME NO.; RC220-FM100001 TO FM102800  
 VF700S'85 ENGINE NO.; RC22E-2100001 TO 2103285  
 VF700S'85 FRAME NO.; RC221-FM100001 TO FM100863

# GASKET KIT B

4 = VF700S'84  
5 = VF700S'85

Ref. No.	BLOCK NO. EOP-2 DESCRIPTION	VF700S		AREA CODE	ENGINE SERIAL NUMBER		QTY REQ	PART NUMBER	HONDA CODE
		84	85		FROM	TO			

# CONTENTS

TITLE	PAGE	GRID
ALTERNATOR	18	B9
CAM CHAIN	10	B5
CAMSHAFT	8	B4
CARBURETOR ASSY.	44	C10
CARBURETOR COMPONENT	48	C12
CARBURETOR LINK	44	C10
CLUTCH	14	B7
CRANKCASE COVER, L.	20	B10
CRANKCASE COVER, R.	13	B6
CRANKSHAFT	30	C3
CROSS SHAFT	42	C9
CYLINDER BLOCK	26	C1
CYLINDER HEAD COVER	2	B1
CYLINDER HEAD, FR.	3	B1
CYLINDER HEAD, RR.	6	B3
GASKET KIT A	50	D1
GASKET KIT B	51	D1
GEARSHIFT DRUM	38	C7
OIL FILTER	23	B11
OIL PAN	23	B11
OIL PUMP	23	B11
PISTON	30	C3
PULSE ALTERNATOR	16	B8
STARTER CLUTCH	16	B8
STARTER MOTOR	22	B11
TENSIONER	10	B5
THERMOSTAT	40	C8
TRANSMISSION	36	C6
VALVE	8	B4
WATER PIPE	40	C8
WATER PUMP	20	B10

Ref. No.	BLOCK NO. EOP-2 DESCRIPTION	VF700S		AREA CODE	ENGINE SERIAL NUMBER		QTY REQ	PART NUMBER	HONDA CODE
		84	85		FROM	TO			
	16 O-RING, 14.7X2.2 (ARAI) .....	4	5		-----	-----	1	91313-MB0-003	1260868
	O-RING, 14.8X2.2 .....	4	5		-----	-----	1	91313-MG7-004	3353620
	17 O-RING, 18X2.8 .....	4	5		-----	-----	1	91314-MB0-003	1260876
	18 O-RING, 3X70 .....	4	5		-----	-----	1	91314-MJ0-000	1690767
	O-RING, 70X3 .....	4	5		-----	-----	1	91314-300-000	0483826
	19 SEAL, WATER PIPE .....	4	5		-----	-----	1	91315-MB0-013	1435239
	20 O-RING, 13X2.5 .....	4	5		-----	-----	2	91335-567-000	0422428
	21 WASHER, DRAIN PLUG, 12MM .....	4	5		-----	-----	1	94109-12000	0171868

NOILL

D2

AMERICAN HONDA MOTOR CO., LTD. 1993 53

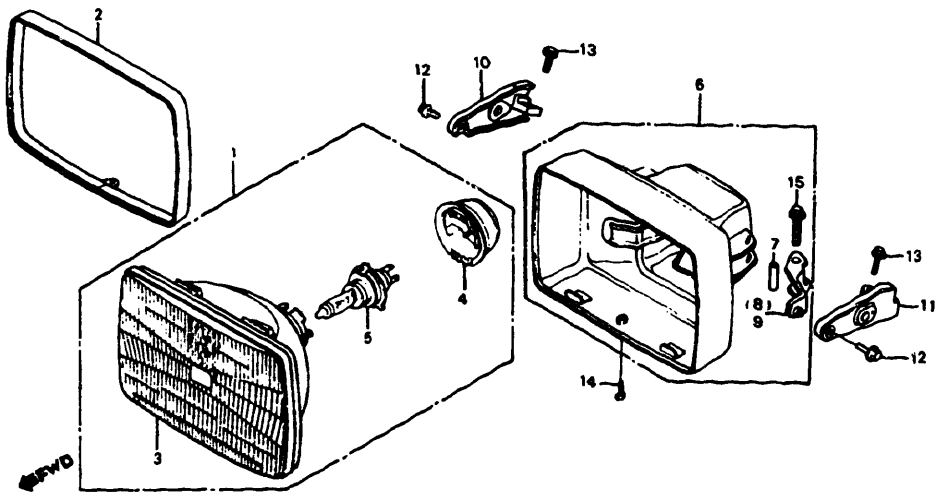
GRID

D2

VF700S'84 ENGINE NO.; RC22E-2000008 TO 2005978  
VF700S'84 FRAME NO.; RC220-EM000007 TO EM005012  
VF700S'84 ENGINE NO.; RC22E-2002575 TO 2006097  
VF700S'84 FRAME NO.; RC221-EM000006 TO EM001081

VF700S'85 ENGINE NO.; RC22E-2100001 TO 2103668  
VF700S'85 FRAME NO.; RC220-FM100001 TO FM102800  
VF700S'85 ENGINE NO.; RC22E-2100001 TO 2103285  
VF700S'85 FRAME NO.; RC221-FM100001 TO FM100863

# HEADLIGHT



F14MB0E01

Ref. No.	BLOCK NO. DESCRIPTION	F-1	VF700S		AREA CODE	FRAME SERIAL NUMBER		QTY REQ	PART NUMBER	HONDA CODE
			4	5		FROM	TO			
	4 = VF700S'84 5 = VF700S'85									
1	HEADLIGHT ASSY. (12V 60/55W) ....		4	5				1	33100-MB4-671	1654367
2	RING, HEADLIGHT .....		4	5				1	33105-MB4-671	1670256
3	HEADLIGHT UNIT .....		4	5				1	33120-ME5-670	1390517
4	COVER, RUBBER .....		4	5				1	33180-422-003	0692178
5	BULB, HEADLIGHT (H4 JA12V60/55W)		4	5				1	34901-MC7-601	1288612
	BULB, 12V60/55W H4 .....		4	5				1	34901-MC7-601AH	3924347
6	CASE, HEADLIGHT .....		4	5				1	61301-MB0-950	1782291
7	COLLAR, HEADLIGHT CASE .....		4	5				2	61302-MB4-003	1715994
8	BRACKET COMP., L. ....		4	5				1	61303-MB4-003	1716000
9	BRACKET COMP., R. ....		4	5				1	61304-MB4-003	1716018
10	STAY, R. HEADLIGHT .....		4	5				1	61312-MB0-951	1782358
11	STAY, L. HEADLIGHT .....		4	5				1	61313-MB0-951	1782366
12	BOLT, FLANGE, 8X16 .....		4	5				2	90106-MB2-000	1431188
	BOLT, SPECIAL FLANGE, 8X16 .....		4	5				2	90110-ME4-000	1380948
13	BOLT, SPECIAL FLANGE, 8X26 .....		4	5				2	90183-438-000	0765651
14	BOLT, SLOT, 5X12 .....		4	5				1	92300-05012-0A	1378108

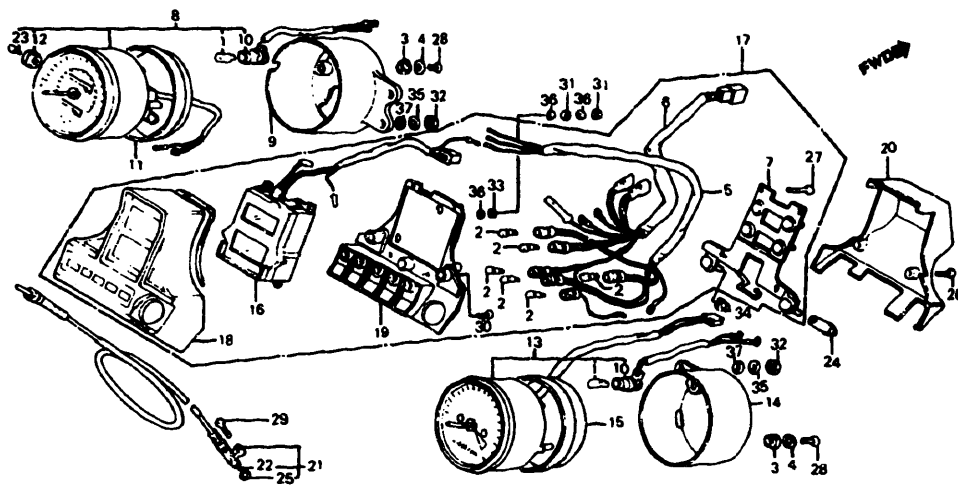
Ref. No.	BLOCK NO. DESCRIPTION	F-1	VF700S		AREA CODE	FRAME SERIAL NUMBER		QTY REQ	PART NUMBER	HONDA CODE
			4	5		FROM	TO			
	4 = VF700S'84 5 = VF700S'85									
14	BOLT, RECESSED, 5X12 .....		4	5				1	92301-05012-0A	3022571
15	BOLT, FLANGE, 6X35 .....		4	5				2	96000-06035-02	0807354
	BOLT, FLANGE, 6X35 .....		4	5				2	96001-06035-02	3996105

# CONTENTS

TITLE	PAGE	GRID
TACHOMETER .....	56	E2
AIR CLEANER .....	97	F10
BATTERY .....	95	F9
BRAKE CALIPER, FR. ....	76	E12
BRAKE MASTER, FR. ....	61	E4
BRAKE PANEL, RR. ....	80	F2
BRAKE PEDAL .....	102	G1
CABLES .....	59	E3
CANISTER (AC) .....	132	H4
CLUTCH MASTER CYLINDER	64	E6
CONTROL LEVER .....	59	E3
CYLINDER .....	61	E4
ELECTRIC PARTS .....	117	G8
FENDER, FR. ....	70	E9
FENDER, RR. ....	112	G6
FINAL DRIVEN GEAR .....	84	F4
FRAME .....	123	G11
FUEL TANK .....	87	F5
FUEL VALVE .....	87	F5
HANDLEBAR .....	66	E7
HEADLIGHT .....	54	E1
HORN .....	68	E8
MUFFLER .....	100	F12
RADIATOR .....	120	G10
SEAT .....	90	F7
SHIFT PEDAL .....	102	G1
SHOCK ABSORBER .....	110	G5
SHOCK ABSORBER, FR. ....	71	E9
SIDE COVER .....	92	F8
SPARK UNIT .....	112	G6
SPEEDOMETER .....	56	E2
STAND .....	106	G3
STEERING STEM .....	68	E8
STEP .....	104	G2
STRIPE .....	128	H2
SWINGARM .....	108	G4
SWITCHES .....	59	E3
TAILLIGHT .....	116	G8
TOOLS .....	126	H1
TOP BRIDGE .....	66	E7
TURN SIGNAL .....	114	G7
WHEEL, FR. ....	78	F1
WHEEL, RR. ....	82	F3
WIRE HARNESS .....	117	G8

VF700S'84 ENGINE NO.; RC22E-2000008 TO 2005978  
 VF700S'84 FRAME NO.; RC220-EM000007 TO EM005012  
 VF700S'84 ENGINE NO.; RC22E-2002575 TO 2006097  
 VF700S'84 FRAME NO.; RC221-EM000006 TO EM001081  
 VF700S'85 ENGINE NO.; RC22E-2100001 TO 2103668  
 VF700S'85 FRAME NO.; RC220-FM100001 TO FM102800  
 VF700S'85 ENGINE NO.; RC22E-2100001 TO 2103285  
 VF700S'85 FRAME NO.; RC221-FM100001 TO FM100863

# SPEEDOMETER • TACHOMETER



F14MB0E02

Ref. No.	BLOCK NO. DESCRIPTION	F-2	VF700S		AREA CODE	FRAME SERIAL NUMBER		QTY REQ	PART NUMBER	HONDA CODE
			8	5		FROM	TO			
4 = VF700S'84 5 = VF700S'85										
1	BULB, WEDGE BASE (12V 3.4W) .....	4	5					2	34908-GA7-701	1084672
	BULB (12V3.4W) (158) .....	4	5					2	37102-567-009	0846436
	BULB (14V3.4W) (NS) .....	4	5					2	37237-SA5-003	1294925
	BULB (12V3.4W) (158) .....	4	5					2	37237-SA5-004	1294966
2	BULB, WEDGE BASE 12V3W .....	4	5					6	34908-MB0-003	1260611
3	RUBBER, METER SETTING .....	4	5					4	37101-MB1-008	1247014
4	WASHER .....	4						4	37102-MB1-008	1247022
	WASHER (METER) .....		5					4	37102-MB0-008	1975739
5	SOCKET COMP. (A) .....	4						1	37105-MB0-950	1781855
	SOCKET COMP. (A) .....			5				1	37105-MB0-911	1951540
6	SOCKET COMP. (B) .....	4						1	37106-MB0-950	1781863
	SOCKET COMP. (B) .....			5				1	37106-MB0-911	1951565
7	STAY ASSY., INSTRUMENT .....	4						1	37120-MB4-671	1439082
	STAY, METER .....			5				1	37120-MB0-911	1876762
8	SPEEDOMETER ASSY. ....	4						1	37200-MB1-871	1723311
	SPEEDOMETER ASSY. ....			5				1	37200-MB0-911	1951573

Ref. No.	BLOCK NO. DESCRIPTION	F-2	VF700S		AREA CODE	FRAME SERIAL NUMBER		QTY REQ	PART NUMBER	HONDA CODE
			8	5		FROM	TO			
4 = VF700S'84 5 = VF700S'85										
9	COVER, SPEEDOMETER .....	4						1	37202-MB0-950	1781871
	COVER, SPEEDOMETER .....			5				1	37202-MB0-951	1975747
10	SOCKET COMP., ILLUMINATION .....	4	5					2	37203-MB1-870	1723329
11	RUBBER, SPEEDOMETER .....	4	5					1	37204-MB1-008	1247089
12	KNOB, TRIP METER .....	4	5					1	37220-MB4-671	1439124
13	TACHOMETER ASSY. ....	4						1	37250-MB1-871	1723337
	TACHOMETER ASSY. ....			5				1	37250-MB0-911	1951581
14	COVER, TACHOMETER .....	4						1	37252-MB0-950	1781897
	COVER, TACHOMETER .....			5				1	37252-MB0-951	1975754
15	RUBBER, TACHOMETER .....	4	5					1	37254-MB1-008	1247139
16	METER, TEMPERATURE & GEAR POSITION .....	4						1	37450-MB0-950	1781905
	METER, TEMPERATURE & GEAR POSITION .....			5				1	37450-MB0-911	2094936
	METER, TEMPERATURE & GEAR POSITION .....			5				1	37450-MB0-912	2274728
17	BOX ASSY., PILOT .....	4						1	37600-MB0-950	1781913
	BOX ASSY., PILOT .....			5				1	37600-MB0-912	2094944
	BOX ASSY., PILOT .....			5				1	37600-MB0-913	2101616
18	BOX ASSY., PILOT UPPER .....	4	5					1	37610-MB4-671	1439165
19	BOX ASSY., PILOT LOWER .....	4	5					1	37617-MB4-671	1439173
20	COVER, LOWER .....	4	5					1	37618-MB4-671	1439181
21	CABLE ASSY., SPEEDOMETER .....	4	5					1	44830-ME5-000	1328954
22	CABLE, INNER .....	4	5					1	44831-ME5-300	1436856
23	SCREW, PAN, 2X6 .....	4	5					1	90102-434-671	1060656
24	NUT, INSTRUMENT SETTING .....	4	5					1	90303-MB1-000	1251255
25	O-RING, 6.8X1.9 .....	4	5					1	91301-027-000	0018044
	O-RING, 6.8X1.9 .....			5				1	91306-PJ4-000	2373447
	O-RING B, 6.8X1.9 .....			5				1	91310-MC7-003	1218569
26	SCREW, PAN, 3X10 .....	4	5					2	93500-03010-06	1089614
27	SCREW, PAN, 3X20 .....	4	5					4	93500-03020	0056796
	SCREW, PAN, 3X20 .....			5				4	93500-03020-0A	0252171
	SCREW, PAN, 3X20 .....			5				4	93500-03020-1A	1458769

# CONTENTS

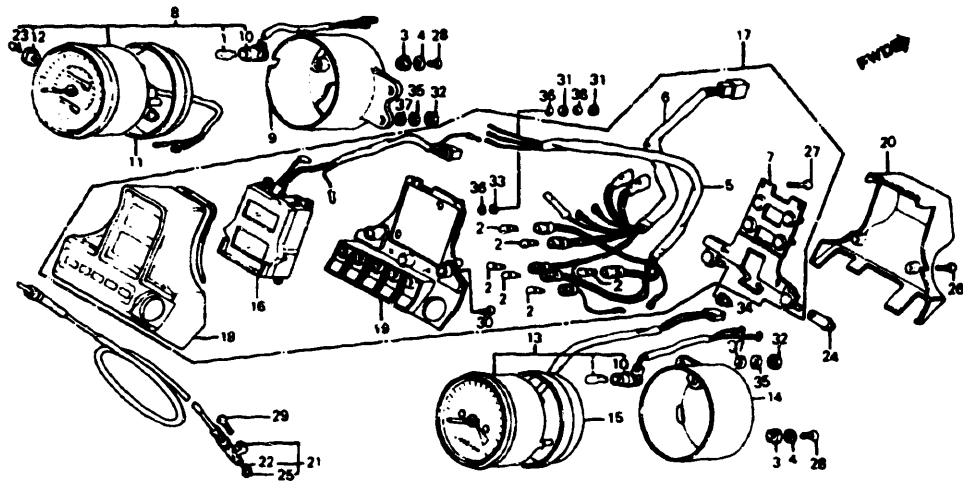
TITLE	PAGE	GRID
TACHOMETER	56	E2
AIR CLEANER	97	F10
BATTERY	95	F9
BRAKE CALIPER, FR	76	E12
BRAKE MASTER, FR	61	E4
BRAKE PANEL, RR	80	F2
BRAKE PEDAL	102	G1
CABLES	59	E3
CANISTER (AC)	132	H4
CLUTCH MASTER CYLINDER	64	E6
CONTROL LEVER	59	E3
CYLINDER	61	E4
ELECTRIC PARTS	117	G8
FENDER, FR	70	E9
FENDER, RR	112	G6
FINAL DRIVEN GEAR	84	F4
FRAME	123	G11
FUEL TANK	87	F5
FUEL VALVE	87	F5
HANDLEBAR	66	E7
HEADLIGHT	54	E1
HORN	68	E8
MUFFLER	100	F12
RADIATOR	120	G10
SEAT	90	F7
SHIFT PEDAL	102	G1
SHOCK ABSORBER	110	G5
SHOCK ABSORBER, FR	71	E9
SIDE COVER	92	F8
SPARK UNIT	112	G6
SPEEDOMETER	56	E2
STAND	106	G3
STEERING STEM	68	E8
STEP	104	G2
STRIFE	128	H2
SWINGARM	108	G4
SWITCHES	59	E3
TAILLIGHT	116	G8
TOOLS	126	H1
TOP BRIDGE	66	E7
TURN SIGNAL	114	G7
WHEEL, FR	78	F1
WHEEL, RR	82	F3
WIRE HARNESS	117	G8

VF700S'84 ENGINE NO.; RC22E-2000008 TO 2005978  
 VF700S'84 FRAME NO.; RC220-EM000007 TO EM005012  
 VF700S'84 ENGINE NO.; RC22E-2002575 TO 2006097  
 VF700S'84 FRAME NO.; RC221-EM000006 TO EM001081

VF700S'85 ENGINE NO.; RC22E-2100001 TO 2103668  
 VF700S'85 FRAME NO.; RC220-FM100001 TO FM102800  
 VF700S'85 ENGINE NO.; RC22E-2100001 TO 2103285  
 VF700S'85 FRAME NO.; RC221-FM100001 TO FM100863



# SPEEDOMETER • TACHOMETER



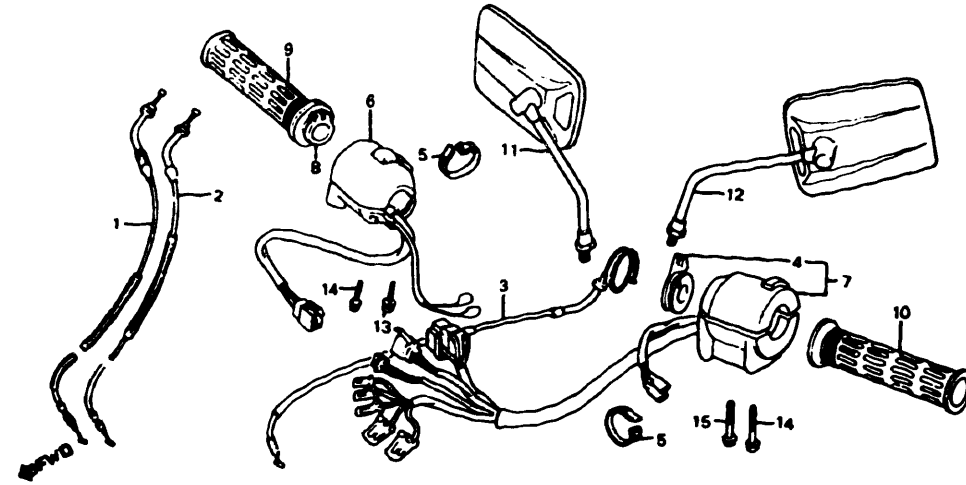
F14MB0E02

Ref. No.	BLOCK NO. DESCRIPTION	VF700S		AREA CODE	FRAME SERIAL NUMBER		QTY REQ	PART NUMBER	HONDA CODE
		8 4	8 5		FROM	TO			
	4 = VF700S'84 5 = VF700S'85								
28	SCREW, OVAL, 4X8	4	5		----	----	4	93700-04008-0B	0412338
29	SCREW, OVAL, 5X20	4	5		----	----	1	93700-05020-0G	0768721
30	SCREW, TAPPING, 3X10	4	5		----	----	2	93901-32220	1018290
31	NUT, HEX., 3MM	4	5		----	----	2	94001-03000-0S	0166694
32	NUT, HEX., 6MM	4	5		----	----	4	94001-06000-0S	0156067
	NUT, HEX., 6MM	4	5		----	----	4	94001-06200-0S	2043255
33	NUT, HEX., 3MM	4	5		----	----	1	94002-03000-0S	1458777
34	NUT CAP, 8MM	4	5		----	----	1	94021-08020-0S	0169524
35	WASHER, PLAIN, 6MM	4	5		----	----	4	94101-06000	0059071
	WASHER, PLAIN, 6MM	4	5		----	----	4	94101-06080	3136074
	WASHER, PLAIN, 6MM	4	5		----	----	4	94101-06800	0345900
36	WASHER, SPRING, 3MM	4	5		----	----	3	94111-03800	0285668
37	WASHER, SPRING, 6MM	4	5		----	----	4	94111-06000	0058974

VF700S'84 ENGINE NO.; RC22E-2000008 TO 2005978  
 VF700S'84 FRAME NO.; RC220-EM000007 TO EM005012  
 VF700S'84 ENGINE NO.; RC22E-2002575 TO 2006097  
 VF700S'84 FRAME NO.; RC221-EM000006 TO EM001081

VF700S'85 ENGINE NO.; RC22E-2100001 TO 2103668  
 VF700S'85 FRAME NO.; RC220-FM100001 TO FM102800  
 VF700S'85 ENGINE NO.; RC22E-2100001 TO 2103285  
 VF700S'85 FRAME NO.; RC221-FM100001 TO FM100863

# CONTROL LEVER • SWITCHES • CABLES



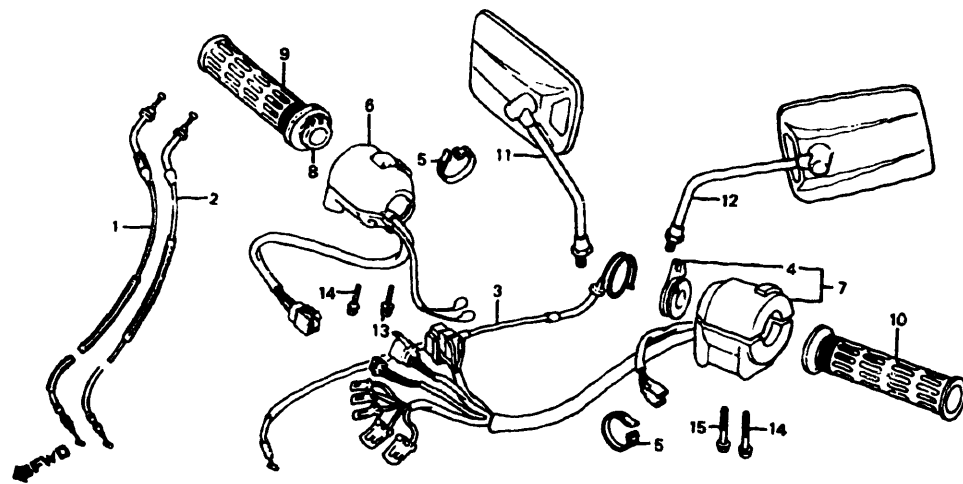
F14MB0E03

Ref. No.	BLOCK NO. DESCRIPTION	VF700S		AREA CODE	FRAME SERIAL NUMBER		QTY REQ	PART NUMBER	HONDA CODE
		8 4	8 5		FROM	TO			
	4 = VF700S'84 5 = VF700S'85								
1	CABLE COMP. A, THROTTLE	4	5		----	----	1	17910-MB0-950	1781384
2	CABLE COMP. B, THROTTLE	4	5		----	----	1	17920-MB0-950	1781392
3	CABLE COMP., CHOKE	4	5		----	----	1	17950-MB0-950	1781400
4	LEVER, CHOKE	4	5		----	----	1	17962-KE8-700	1669324
	LEVER, CHOKE	4	5		----	----	1	17962-KE8-701	1741313
5	BAND B1, WIRE	4	5		----	----	2	32161-404-000	0468819
6	SWITCH ASSY., STARTER/ENGINE STOP	4	--		----	----	1	35130-MB3-670	1743087
	SWITCH ASSY., STARTER/ENGINE STOP	4	--		----	----	1	35130-MB3-770	1832351
	SWITCH ASSY., STARTER/KILL	--	5		----	----	1	35130-MB0-910	1876713
	SWITCH ASSY., STARTER/KILL	--	5		----	----	1	35130-MB0-911	4025573
	SWITCH ASSY., STARTER/ENGINE STOP	--	5		----	----	1	35130-MB4-681	2250546
7	SWITCH ASSY., TURN SIGNAL	4	5		----	----	1	35200-MB0-950	1781848
	SWITCH ASSY., TURN SIGNAL	4	5		----	----	1	35200-MB0-951	2797173
8	PIPE, THROTTLE GRIP	4	5		----	----	1	53141-300-010	0237586
9	GRIP, R. HANDLEBAR	4	5		----	----	1	53165-390-780	0483420
10	GRIP, L. HANDLEBAR	4	5		----	----	1	53166-390-780	0483438

# CONTENTS

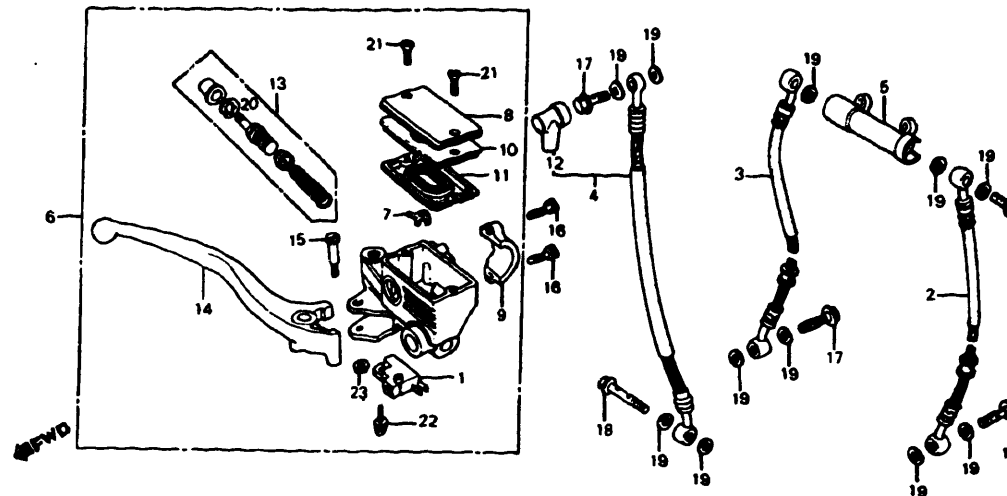
TITLE	PAGE	GRID
TACHOMETER	56	E2
AIR CLEANER	97	F10
BATTERY	95	F9
BRAKE CALIPER, FR.	76	E12
BRAKE MASTER, FR.	61	E4
BRAKE PANEL, RR.	80	F2
BRAKE PEDAL	102	G1
CABLES	59	E3
CANISTER (AC)	132	H4
CLUTCH MASTER CYLINDER	64	E6
CONTROL LEVER	59	E3
CYLINDER	61	E4
ELECTRIC PARTS	117	G8
FENDER, FR.	70	E9
FENDER, RR.	112	G6
FINAL DRIVEN GEAR	84	F4
FRAME	123	G11
FUEL TANK	87	F5
FUEL VALVE	87	F5
HANDLEBAR	66	E7
HEADLIGHT	54	E1
HORN	68	E8
MUFFLER	100	F12
RADIATOR	120	G10
SEAT	90	F7
SHIFT PEDAL	102	G1
SHOCK ABSORBER	110	G5
SHOCK ABSORBER, FR.	71	E9
SIDE COVER	92	F8
SPARK UNIT	112	G6
SPEEDOMETER	56	E2
STAND	106	G3
STEERING STEM	68	E8
STEP	104	G2
STRIP	128	H2
SWINGARM	108	G4
SWITCHES	59	E3
TAILLIGHT	116	G8
TOOLS	126	H1
TOP BRIDGE	66	E7
TURN SIGNAL	114	G7
WHEEL, FR.	78	F1
WHEEL, RR.	82	F3
WIRE HARNESS	117	G8

# CONTROL LEVER • SWITCHES • CABLES



F14MB0E03

# FRONT BRAKE MASTER • CYLINDER



F14MB0E04

# CONTENTS

TITLE	PAGE	GRID
TACHOMETER	56	E2
AIR CLEANER	97	F10
BATTERY	95	F9
BRAKE CALIPER, FR.	76	E12
BRAKE MASTER, FR.	61	E4
BRAKE PANEL, RR.	80	F2
BRAKE PEDAL	102	G1
CABLES	59	E3
CANISTER (AC)	132	H4
CLUTCH MASTER CYLINDER	64	E6
CONTROL LEVER	59	E3
CYLINDER	61	E4
ELECTRIC PARTS	117	G8
FENDER, FR.	70	E9
FENDER, RR.	112	G6
FINAL DRIVEN GEAR	84	F4
FRAME	123	G11
FUEL TANK	87	F5
FUEL VALVE	87	F5
HANDLEBAR	66	E7
HEADLIGHT	54	E1
HORN	68	E8
MUFFLER	100	F12
RADIATOR	120	G10
SEAT	90	F7
SHIFT PEDAL	102	G1
SHOCK ABSORBER	110	G5
SHOCK ABSORBER, FR.	71	E9
SIDE COVER	92	F8
SPARK UNIT	112	G6
SPEEDOMETER	56	E2
STAND	106	G3
STEERING STEM	68	E8
STEP	104	G2
STRIPE	128	H2
SWINGARM	108	G4
SWITCHES	59	E3
TAILLIGHT	116	G8
TOOLS	126	H1
TOP BRIDGE	66	E7
TURN SIGNAL	114	G7
WHEEL, FR.	78	F1
WHEEL, RR.	82	F3
WIRE HARNESS	117	G8

GRID

E4

Ref. No.	BLOCK NO. DESCRIPTION	F-3	V F 7 0 0 S		AREA CODE	FRAME SERIAL NUMBER		QTY REQ	PART NUMBER	HONDA CODE
			4	5		8	5			
	4 = VF700S'84 5 = VF700S'85		V	F	A					
11	MIRROR, R.	4	5					1	88110-MB0-003	1250703
12	MIRROR, L.	4	5					1	88120-MB0-003	1250729
13	SCREW-WASHER, 5X20	4	5					1	93892-05020-07	1078351
14	SCREW-WASHER, 5X28	4	5					2	93892-05028-07	0692673
15	SCREW-WASHER, 5X45	4	5					1	93892-05045-07	0692699

E4

Ref. No.	BLOCK NO. DESCRIPTION	F-4	V F 7 0 0 S		AREA CODE	FRAME SERIAL NUMBER		QTY REQ	PART NUMBER	HONDA CODE
			4	5 <th>8</th> <th>5</th>		8	5			
	4 = VF700S'84 5 = VF700S'85		V	F	A					
1	SWITCH ASSY., FR. STOP	4	5					1	35340-MA5-671	0952267
	SWITCH ASSY., FR. STOP	4	5					1	35340-ML7-000	2409803
	SWITCH ASSY., FR. STOP	4	5					1	35340-MM5-600	2542421
2	HOSE, L. FR. BRAKE	4						1	45124-MB0-950	1782036
	HOSE, L. FR. BRAKE		5					1	45124-MB0-910	1876895
3	HOSE, R. FR. BRAKE	4						1	45125-MB0-950	1782044
	HOSE, R. FR. BRAKE		5					1	45125-MB0-910	1876903
4	HOSE B, FR. BRAKE	4	5					1	45126-MB0-950	1782051
5	JOINT, TWO WAY (NISSIN)	4	5					1	45127-MA1-003	1054832
6	CYLINDER ASSY., FR. BRAKE MASTER	4	5					1	45500-MJ6-006	1764950
7	PROTECTOR	4	5					1	45512-MA6-006	1235688
8	CAP, MASTER CYLINDER	4	5					1	45513-KE5-026	1771112
9	HOLDER, MASTER CYLINDER	4	5					1	45517-MB0-006	1235738
10	PLATE, DIAPHRAGM	4	5					1	45518-MB4-671	1666890
11	DIAPHRAGM	4	5					1	45520-MA5-672	1547256
12	BOOT, MASTER CYLINDER	4	5					1	45522-422-000	0692822

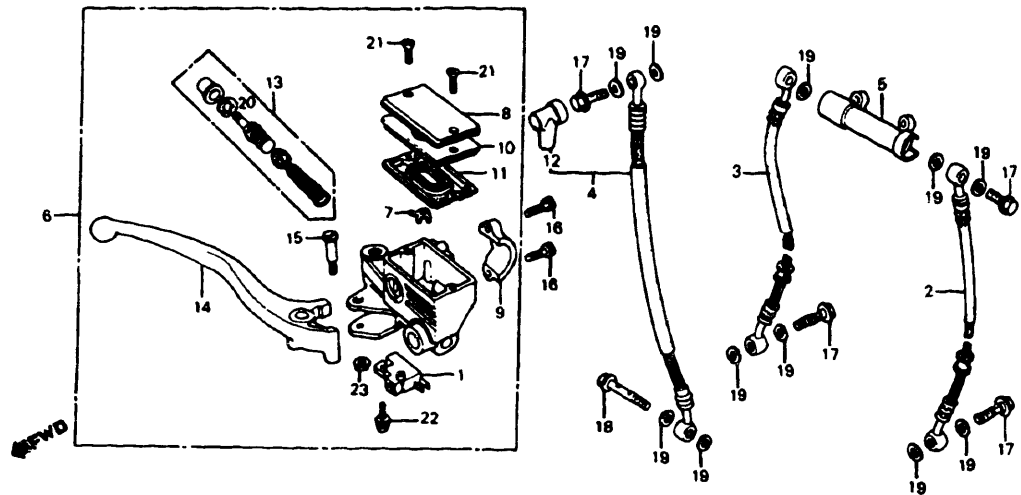
AMERICAN HONDA MOTOR CO. LTD. 1993 61

VF700S'84 ENGINE NO.; RC22E-2000008 TO 2005978  
 VF700S'84 FRAME NO.; RC220-EM000007 TO EM005012  
 VF700S'84 ENGINE NO.; RC22E-2002575 TO 2006097  
 VF700S'84 FRAME NO.; RC221-EM000006 TO EM001081

VF700S'85 ENGINE NO.; RC22E-2100001 TO 2103668  
 VF700S'85 FRAME NO.; RC220-FM100001 TO FM102800  
 VF700S'85 ENGINE NO.; RC22E-2100001 TO 2103285  
 VF700S'85 FRAME NO.; RC221-FM100001 TO FM100863

AMERICAN HONDA MOTOR CO. LTD. 1993

# FRONT BRAKE MASTER • CYLINDER



F14MB0E04

Ref. No.	BLOCK NO. DESCRIPTION	VF700S		AREA CODE	FRAME SERIAL NUMBER		QTY REQ	PART NUMBER	HONDA CODE
		4	5		FROM	TO			
	4 = VF700S'84 5 = VF700S'85								
13	CYLINDER SET, MASTER	4	5				1	45530-MA5-671	0952366
14	HANDLEBAR, COMP., R.	4	5				1	53175-MJ6-006	1776590
15	BOLT, R. CONTROL LEVER PIVOT	4	5				1	90114-MA5-671	0952416
16	BOLT, SOCKET, 6X23	4	--				2	90117-MB0-000	1237072
	BOLT, SOCKET, 6X22	--	5				2	96700-06022-17	2044956
17	BOLT, OIL, 10X22	4	--				4	90145-KE8-000	1310994
	BOLT, OIL, 10X22	4	--				4	90145-VM0-000	1787043
	BOLT, OIL, 10X22	4	5				4	90145-KM3-750	2072775
	BOLT, OIL, 10X22	4	5				4	90145-961-010	1792548
18	BOLT, OIL, 10X34	4	--				1	90145-MG5-670	1311000
	BOLT, OIL, 10X34	--	5				1	90145-MB0-010	1792530
19	WASHER, OIL BOLT	4	5				11	90545-300-000	0189902
20	CIRCLIP	4	5				1	90651-MA5-671	1251404
21	SCREW, FLAT, 4X12	4	5				2	93600-04012-06	1218601
	SCREW, FLAT, 4X12	4	5				2	93600-04012-16	1237346
22	SCREW-WASHER, 4X12	4	5				1	93893-04012-08	0677989

Ref. No.	BLOCK NO. DESCRIPTION	VF700S		AREA CODE	FRAME SERIAL NUMBER		QTY REQ	PART NUMBER	HONDA CODE
		4	5		FROM	TO			
	4 = VF700S'84 5 = VF700S'85								
22	SCREW-WASHER, 4X12	4	5				1	93893-04012-18	0954412
23	NUT, FLANGE, 6MM	4	--				1	94050-06000	0471623
		--	5	A			1	94050-06000	0471623
		--	5	AC			1	94050-06000	0471623
	NUT, CAP, 6MM	--	5	A	FM102423		1	90201-415-000	0670729
		--	5	AC	FM100246		1	90201-415-000	0670729

# CONTENTS

TITLE	PAGE	GRID
TACHOMETER	56	E2
AIR CLEANER	97	F10
BATTERY	95	F9
BRAKE CALIPER FR	76	E12
BRAKE MASTER FR	61	E4
BRAKE PANEL RR	80	F2
BRAKE PEDAL	102	G1
CABLES	59	E3
CANISTER (AC)	132	H4
CLUTCH MASTER CYLINDER	64	E6
CONTROL LEVER	59	E3
CYLINDER	61	E4
ELECTRIC PARTS	117	G8
FENDER FR	70	E9
FENDER RR	112	G6
FINAL DRIVEN GEAR	84	F4
FRAME	123	G11
FUEL TANK	87	F5
FUEL VALVE	87	F5
HANDLEBAR	66	E7
HEADLIGHT	54	E1
HORN	68	E8
MUFFLER	100	F12
RADIATOR	120	G10
SEAT	90	F7
SHIFT PEDAL	102	G1
SHOCK ABSORBER	110	G5
SHOCK ABSORBER FR	71	E9
SIDE COVER	92	F8
SPARK UNIT	112	G6
SPEEDOMETER	56	E2
STAND	106	G3
STEERING STEM	68	E8
STEP	104	G2
STRIPE	128	H2
SWINGARM	108	G4
SWITCHES	59	E3
TAILLIGHT	116	G8
TOOLS	126	H1
TOP BRIDGE	66	E7
TURN SIGNAL	114	G7
WHEEL FR	78	F1
WHEEL RR	82	F3
WIRE HARNESS	117	G8

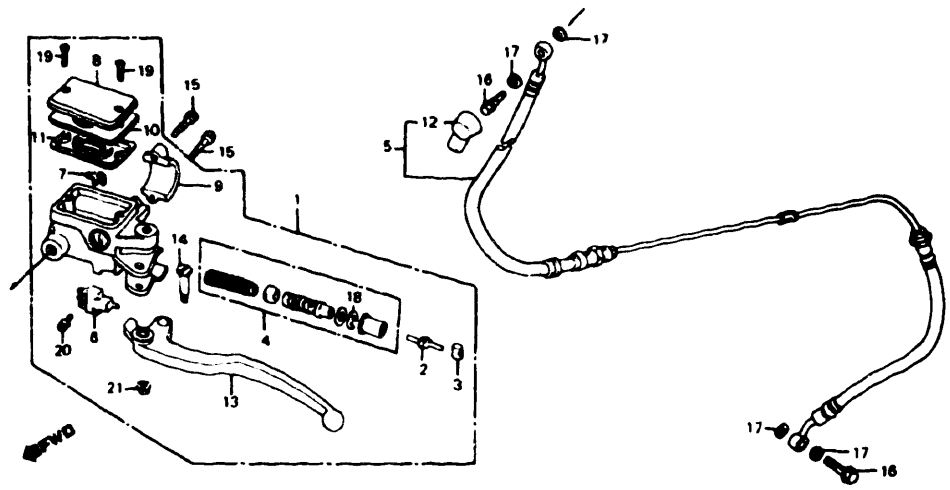
GRID

E5

VF700S'84 ENGINE NO.; RC22E-2000008 TO 2005978  
 VF700S'84 FRAME NO.; RC220-EM000007 TO EM005012  
 VF700S'84 ENGINE NO.; RC22E-2002575 TO 2006097  
 VF700S'84 FRAME NO.; RC221-EM000006 TO EM001081

VF700S'85 ENGINE NO.; RC22E-2100001 TO 2103668  
 VF700S'85 FRAME NO.; RC220-FM100001 TO FM102800  
 VF700S'85 ENGINE NO.; RC22E-2100001 TO 2103285  
 VF700S'85 FRAME NO.; RC221-FM100001 TO FM100863

# CLUTCH MASTER CYLINDER



F14MB0E05

Ref. No.	BLOCK NO.	F-5	VF700S		AREA CODE	FRAME SERIAL NUMBER		QTY REQ	PART NUMBER	HONDA CODE
			84	85		FROM	TO			
4	VF700S'84		V	F						
5	VF700S'85		F	7						
1	CYLINDER ASSY., CLUTCH MASTER	...	4	5				1	22880-MB0-950	1781566
2	ROD, PUSH		4	5				1	22884-MB0-006	1245729
3	BUSH		4	5				1	22885-MB0-006	1245737
4	PISTON SET, CLUTCH MASTER CYLINDER		4	5				1	22886-MB0-305	1245745
5	PIPE ASSY., CLUTCH		4	5				1	22900-MB0-951	1789304
6	SWITCH ASSY., CLUTCH		4	5				1	35330-MB0-003	1246859
7	PROTECTOR		4	5				1	45512-MA6-006	1235688
8	CAP, MASTER CYLINDER		4	5				1	45513-KE5-026	1771112
9	HOLDER, MASTER CYLINDER		4	5				1	45517-MB0-006	1235738
10	PLATE, DIAPHRAGM		4	5				1	45518-MB4-671	1666890
11	DIAPHRAGM		4	5				1	45520-MA5-672	1547256
12	BOOT, MASTER CYLINDER		4	5				1	45522-422-000	0692822
13	LEVER COMP., L. HANDLE		4	5				1	53178-KE8-006	1373992
14	BOLT, R. CONTROL LEVER PIVOT		4	5				1	90114-MA5-671	0952416
15	BOLT, SOCKET, 6X23		4	--				2	90117-MB0-000	1237072

VF700S'84 ENGINE NO.; RC22E-2000008 TO 2005978  
 VF700S'84 FRAME NO.; RC220-EM000007 TO EM005012  
 VF700S'84 ENGINE NO.; RC22E-2002575 TO 2006097  
 VF700S'84 FRAME NO.; RC221-EM000006 TO EM001081

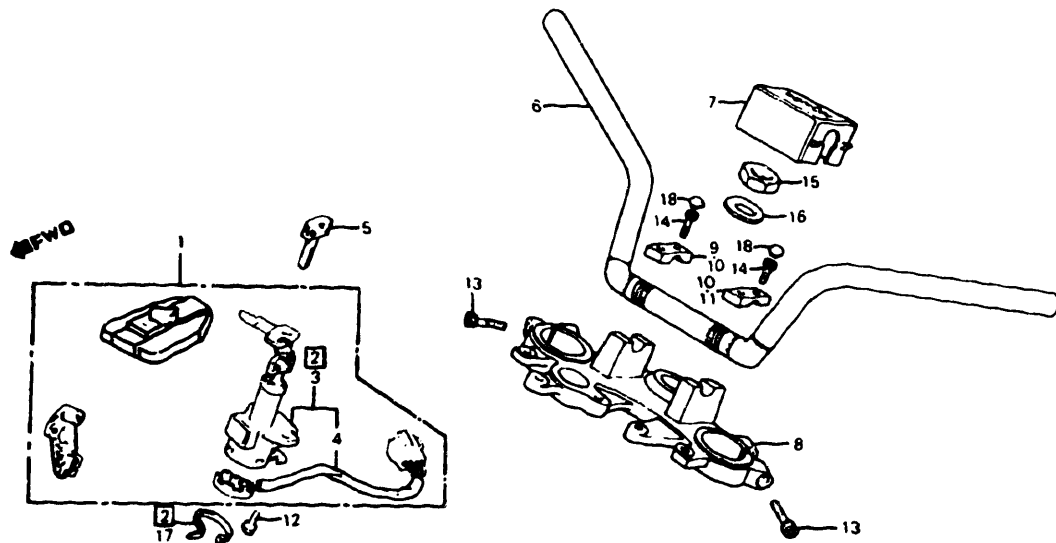
VF700S'85 ENGINE NO.; RC22E-2100001 TO 2103668  
 VF700S'85 FRAME NO.; RC220-FM100001 TO FM102800  
 VF700S'85 ENGINE NO.; RC22E-2100001 TO 2103285  
 VF700S'85 FRAME NO.; RC221-FM100001 TO FM100863

Ref. No.	BLOCK NO.	F-5	VF700S		AREA CODE	FRAME SERIAL NUMBER		QTY REQ	PART NUMBER	HONDA CODE
			84	85		FROM	TO			
4	VF700S'84		V	F						
5	VF700S'85		F	7						
15	BOLT, SOCKET, 6X22		--	5				2	96700-06022-17	2044956
16	BOLT, OIL, 10X22		4	5				2	90145-KE8-000	1310994
	BOLT, OIL, 10X22		4	5				2	90145-KM3-750	2072775
	BOLT, OIL, 10X22		4	5				2	90145-VM0-000	1787043
	BOLT, OIL, 10X22		4	5				2	90145-961-010	1792548
17	WASHER, OIL BOLT		4	5				4	90545-300-000	0189902
18	CIRCLIP, INTERNAL, 18MM (NISSIN)		4	5				1	90651-377-003	0400572
19	SCREW, FLAT, 4X12		4	5				2	93600-04012-06	1218601
	SCREW, FLAT, 4X12		4	5				2	93600-04012-16	1237346
20	SCREW-WASHER, 4X12		4	5				1	93893-04012-08	0677989
	SCREW-WASHER, 4X12		4	5				1	93893-04012-18	0954412
21	NUT, FLANGE, 6MM		4	--				1	94050-06000	0471623
	NUT, CAP, 6MM		--	5	A			1	94050-06000	0471623
	NUT, CAP, 6MM		--	5	AC			1	94050-06000	0471623
	NUT, CAP, 6MM		--	5	A	FM102423		1	90201-415-000	0670729
	NUT, CAP, 6MM		--	5	AC	FM100246		1	90201-415-000	0670729

# CONTENTS

TITLE	PAGE	GRID
TACHOMETER	56	E2
AIR CLEANER	97	F10
BATTERY	95	F9
BRAKE CALIPER, FR	76	E12
BRAKE MASTER, FR	61	E4
BRAKE PANEL, RR	80	F2
BRAKE PEDAL	102	G1
CABLES	59	E3
CANISTER (AC)	132	H4
CLUTCH MASTER CYLINDER	64	E6
CONTROL LEVER	59	E3
CYLINDER	61	E4
ELECTRIC PARTS	117	G8
FENDER, FR	70	E9
FENDER, RR	112	G6
FINAL DRIVEN GEAR	84	F4
FRAME	123	G11
FUEL TANK	87	F5
FUEL VALVE	87	F5
HANDLEBAR	66	E7
HEADLIGHT	54	E1
HORN	68	E8
MUFFLER	100	F12
RADIATOR	120	G10
SEAT	90	F7
SHIFT PEDAL	102	G1
SHOCK ABSORBER	110	G5
SHOCK ABSORBER, FR	71	E9
SIDE COVER	92	F8
SPARK UNIT	112	G6
SPEEDOMETER	56	E2
STAND	106	G3
STEERING STEM	68	E8
STEP	104	G2
STRIPE	128	H2
SWINGARM	108	G4
SWITCHES	59	E3
TAILLIGHT	116	G8
TOOLS	126	H1
TOP BRIDGE	66	E7
TURN SIGNAL	114	G7
WHEEL, FR	78	F1
WHEEL, RR	82	F3
WIRE HARNESS	117	G8

# HANDLEBAR • TOP BRIDGE



Refer to the following selection table to select the lock or blank key.

Type	Key No.
TYPE 1	A** . B**
TYPE 2	C** . D**

\*: 0, 1, 2, 3, 4, 5, 6, 7, 8 or 9

F14MBOE06T

Ref. No.	BLOCK NO. DESCRIPTION	F-6	VF700S		AREA CODE	FRAME SERIAL NUMBER		QTY REQ	PART NUMBER	HONDA CODE
			4	5		FROM	TO			
1	KEY SET	4	--	A	----	----	1	35010-MB0-950	1781814	
	KEY SET	4	--	AC	----	----	1	35010-MB0-960	1781822	
	KEY SET	--	5	A	----	----	1	35010-MB0-910	1876671	
	KEY SET	--	5	AC	----	----	1	35010-MB0-920	1876689	
2	SWITCH ASSY., COMBINATION & LOCK	--	5		----	----	1	35100-MB0-911	1876697	
3	SWITCH ASSY., COMBINATION & LOCK	4	--		----	----	1	35100-MB0-911	1876697	
	SWITCH ASSY., COMBINATION & LOCK	4	--		----	----	1	35100-MB0-950	1789312	
4	BASE COMP., CONTACT	4	--		----	----	1	35101-MB0-950	1789320	
	BASE COMP., CONTACT	4	5		----	----	1	35101-MB0-910	1876705	
5	KEY, BLANK (TYPE 1)	4	5		----	----	(1)	35121-KW3-771	3029840	
	KEY, BLANK (TYPE 1)	4	5		----	----	(1)	35121-MA6-811	1246750	
	KEY, BLANK (TYPE 2)	4	5		----	----	(1)	35122-KW3-771	3029857	
	KEY, BLANK (TYPE 2)	4	5		----	----	(1)	35122-MA6-811	1246768	
6	HANDLEBAR	4	5		----	----	1	53100-MB0-950	1782218	
7	COVER, HANDLE	4	5		----	----	1	53105-MB0-950	1782226	
8	BRIDGE, FORK TOP	4	--		----	EM000407	1	53230-MB0-305	1809532	
	BRIDGE, FORK TOP	4	--		EM000408	----	1	53230-MB0-950	1782259	
		--	5		----	----	1	53230-MB0-950	1782259	
9	HOLDER, R. UPPER	4	--		----	EM000407	1	53235-MB0-305	1809540	
10	HOLDER, UPPER	4	--		EM000408	----	2	53235-MB0-950	1877075	
		--	5		----	----	2	53235-MB0-950	1877075	
	HOLDER, UPPER	4	--		EM000408	----	2	53235-ML4-000	4008488	
		--	5		----	----	2	53235-ML4-000	4008488	
11	HOLDER, L. UPPER	4	--		----	EM000407	1	53236-MB0-305	1809557	
12	BOLT, FLANGE, 8X19	4	5		----	----	2	90104-MJ1-000	1735307	
13	BOLT, SOCKET, 7X38	4	5		----	----	2	90151-MB0-000	1251081	
14	BOLT, HEX. SOCKET, 8X32	4	5		----	----	4	90185-371-000	0409029	
15	NUT, STEERING STEM	4	5		----	----	1	90304-KA2-000	1037605	
16	WASHER, STEERING STEM	4	5		----	----	1	90503-428-900	1037613	
17	BAND, SELF LOCK	--	5		----	----	1	91058-MG9-680	1852409	
	BAND, SELF LOCK	--	5		----	----	1	91058-MG9-681	1928605	
18	CAP, SOCKET BOLT	4	5		----	----	4	91456-371-770	0432195	

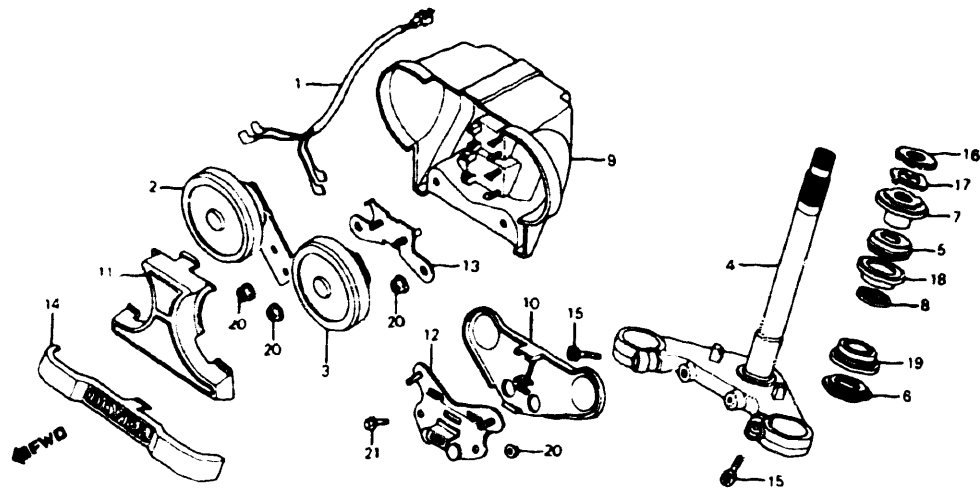
# CONTENTS

TITLE	PAGE	GRID
TACHOMETER	56	E2
AIR CLEANER	97	F10
BATTERY	95	F9
BRAKE CALIPER FR	76	E12
BRAKE MASTER FR	61	E4
BRAKE PANEL RR	80	F2
BRAKE PEDAL	102	G1
CABLES	59	E3
CANISTER (AC)	132	M4
CLUTCH MASTER CYLINDER	64	E6
CONTROL LEVER	59	E3
CYLINDER	61	E4
ELECTRIC PARTS	117	G8
FENDER FR	70	E9
FENDER RR	112	G6
FINAL DRIVEN GEAR	84	F4
FRAME	123	G:1
FUEL TANK	87	F5
FUEL VALVE	87	F5
HANDLEBAR	66	E7
HEADLIGHT	54	E1
HORN	68	E8
MUFFLER	100	F:2
RADIATOR	120	G:10
SEAT	90	F7
SHIFT PEDAL	102	G1
SHOCK ABSORBER	110	G5
SHOCK ABSORBER FR	71	E9
SIDE COVER	92	F8
SPARK UNIT	112	G6
SPEEDOMETER	56	E2
STAND	106	G3
STEERING STEM	68	E8
STEP	104	G2
STRIPE	128	H2
SWINGARM	108	G4
SWITCHES	59	E3
TAILLIGHT	116	G8
TOOLS	126	H1
TOP BRIDGE	66	E7
TURN SIGNAL	114	G7
WHEEL FR	78	F1
WHEEL RR	82	F3
WIRE HARNESS	117	G8

GRID

E7

# STEERING STEM • HORN



F14MB0E07

Ref. No.	BLOCK NO. DESCRIPTION	F-7	VF700S		AREA CODE	FRAME SERIAL NUMBER		QTY REQ	PART NUMBER	HONDA CODE
			4	5		FROM	TO			
4 = VF700S'84 5 = VF700S'85										
1	SUB HARNESS, HORN		4	5				1	32106-MB0-950	1781723
2	HORN ASSY. (HIGH)		4	5				1	38110-MB0-951	1792191
3	HORN ASSY. (LOW)		4	5				1	38120-MB0-891	3684511
	HORN ASSY. (LOW)		4	5				1	38120-MB0-951	1876812
4	STEM COMP., STEERING		4	5				1	53200-MB0-950	1782234
5	DUST SEAL, STEERING HEAD		4	5				1	53213-MB4-771	1546951
6	DUST SEAL, STEERING HEAD		4	5				1	53214-371-010	0470948
7	THREAD COMP., STEERING HEAD UPPER		4	5				1	53220-422-000	0693101
	THREAD COMP., STEERING HEAD UPPER		4	5				1	53220-460-840	1112291
8	HOLDER, GREASE		4	5				1	53223-371-010	0470955
9	CASE, COUPLER HOLDER		4	5				1	61305-MB0-950	1782309
10	SEPARATOR, COUPLER HOLDER		4	5				1	61306-MB0-950	1782317
11	COVER, COUPLER HOLDER		4	5				1	61307-MB0-950	1782325
12	STAY, COUPLER HOLDER		4	5				1	61308-MB0-950	1782333
13	STAY, HORN		4	5				1	61309-MB0-950	1782341
14	COVER, LOWER		4	5				1	61401-MB0-950	1793405

Ref. No.	BLOCK NO. DESCRIPTION	F-7	VF700S		AREA CODE	FRAME SERIAL NUMBER		QTY REQ	PART NUMBER	HONDA CODE
			4	5		FROM	TO			
4 = VF700S'84 5 = VF700S'85										
15	BOLT, SOCKET, 10X30		4	5				2	90152-MB0-000	1251107
16	THREAD, STEERING HEAD TOP (B)		4	5				1	90302-425-830	0823930
17	WASHER, LOCK		4	5				1	90506-425-830	0823948
18	BEARING, HEAD PIPE UPPER		4	5				1	91015-KT8-005	2492825
	BEARING, HEAD PIPE UPPER		4	5				1	91015-MB4-771	1547132
19	BEARING, HEAD PIPE LOWER		4	5				1	91016-KT8-005	2492833
	BEARING, HEAD PIPE LOWER		4	5				1	91016-MB4-771	1547140
20	NUT, FLANGE, 6MM		4	5				6	94050-06000	0471623
21	BOLT, FLANGE, 6X10		4	5				2	95700-06010-07	0663930
	BOLT, FLANGE, 6X10		4	5				2	95701-06010-07	2374734

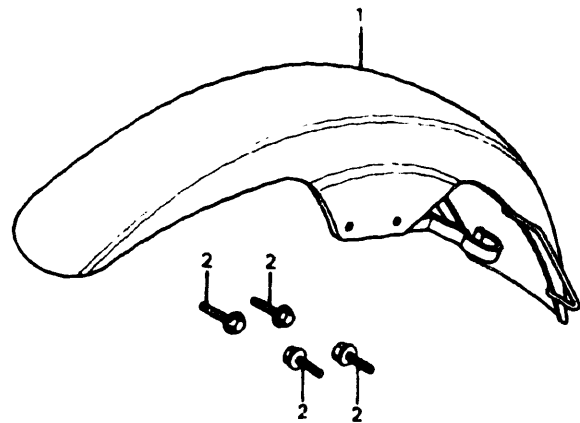
# CONTENTS

TITLE	PAGE	GRID
TACHOMETER	56	E2
AIR CLEANER	97	F10
BATTERY	95	F9
BRAKE CALIPER FR	76	E12
BRAKE MASTER FR	61	E4
BRAKE PANEL RR	80	F2
BRAKE PEDAL	102	G1
CABLES	59	E3
CANISTER (AC)	132	H4
CLUTCH MASTER CYLINDER	64	E6
CONTROL LEVER	59	E3
CYLINDER	61	E4
ELECTRIC PARTS	117	G8
FENDER FR	70	E9
FENDER RR	112	G6
FINAL DRIVEN GEAR	84	F4
FRAME	123	G1
FUEL TANK	87	F5
FUEL VALVE	87	F5
HANDLEBAR	66	E7
HEADLIGHT	54	E1
HORN	68	E8
MUFFLER	100	F12
RADIATOR	120	G10
SEAT	90	F7
SHIFT PEDAL	102	G1
SHOCK ABSORBER	110	G5
SHOCK ABSORBER FR	71	E9
SIDE COVER	92	F8
SPARK UNIT	112	G6
SPEEDOMETER	56	E2
STAND	106	G3
STEERING STEM	68	E8
STEP	104	G2
STRIPE	128	H2
SWINGARM	108	G4
SWITCHES	59	E3
TAILLIGHT	116	G8
TOOLS	126	H1
TOP BRIDGE	66	E7
TURN SIGNAL	114	G7
WHEEL FR	78	F1
WHEEL RR	82	F3
WIRE HARNESS	117	G8

VF700S'84 ENGINE NO.; RC22E-2000008 TO 2005978  
 VF700S'84 FRAME NO.; RC220-EM000007 TO EM005012  
 VF700S'84 ENGINE NO.; RC22E-2002575 TO 2006097  
 VF700S'84 FRAME NO.; RC221-EM000006 TO EM001081

VF700S'85 ENGINE NO.; RC22E-2100001 TO 2103668  
 VF700S'85 FRAME NO.; RC220-FM100001 TO FM102800  
 VF700S'85 ENGINE NO.; RC22E-2100001 TO 2103285  
 VF700S'85 FRAME NO.; RC221-FM100001 TO FM100863

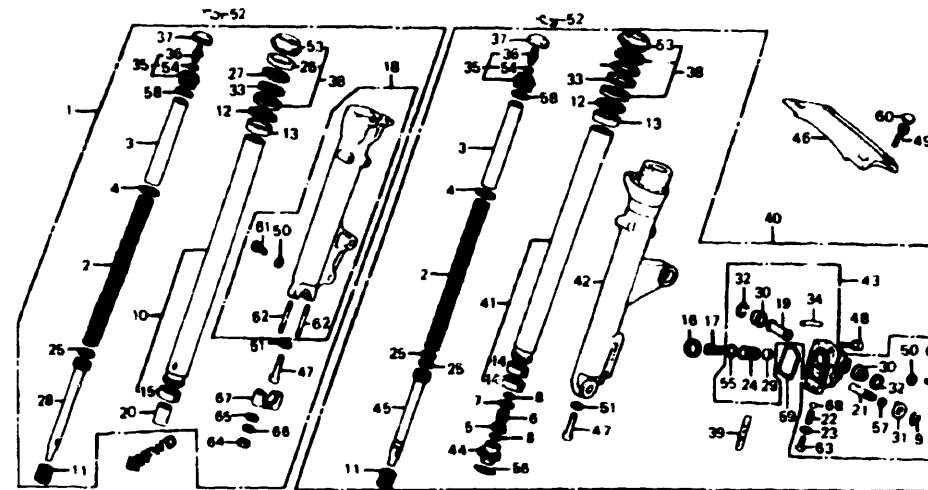
# FRONT FENDER



F14MB0E08

Ref. No.	BLOCK NO. DESCRIPTION	VF700S		AREA CODE	FRAME SERIAL NUMBER		QTY REQ	PART NUMBER	HONDA CODE
		84	85		FROM	TO			
4	VF700S'84								
5	VF700S'85								
1	FENDER COMP., FR. *NH1* (BLACK)	4	5				1	61100-MB0-950ZA	1782283
2	BOLT, FLANGE, 6X14	4	5				4	95700-06014-08	0840587
	BOLT, FLANGE, 6X14	4	5				4	95701-06014-08	2374742

# FRONT SHOCK ABSORBER



F14MB0E09

Ref. No.	BLOCK NO. DESCRIPTION	VF700S		AREA CODE	FRAME SERIAL NUMBER		QTY REQ	PART NUMBER	HONDA CODE
		84	85		FROM	TO			
4	VF700S'84								
5	VF700S'85								
1	SHOCK ABSORBER ASSY., R. FR.	4	5				1	51400-MB0-952	1876986
2	SPRING, FR. SHOCK	4	5				2	51401-MB0-951	1782143
3	COLLAR, SPRING	4	5				2	51402-MC5-003	1432160
4	SEAT, SPRING	4	5				2	51403-MA0-771	1093913
5	VALVE, OIL LOCK	4	5				1	51403-MA6-003	1212141
6	SPRING, OIL LOCK VALVE	4	5				1	51404-MA6-003	1212158
7	SEAT, SPRING	4	5				1	51405-MA6-003	1249267
8	RING, STOPPER	4	5				2	51405-MC7-003	1212166
9	RING, STOPPER	4	5				1	51406-MB1-771	1291855
10	PIPE COMP., R. FR. SHOCK	4	5				1	51410-MB0-951	1782150
11	SPRING, FR. SHOCK REBOUND	4	5				2	51412-ME1-671	1212182
12	RING, BACK UP	4	5				2	51412-461-003	0910844
	RING, BACK UP	4	5				2	51412-461-305	1038827
13	BUSH, GUIDE	4	5				2	51414-461-003	0918649
14	BUSH, SLIDER	4	5				2	51415-MC5-003	1260678
	BUSH, SLIDER	4	5				2	51415-MC5-013	2248078

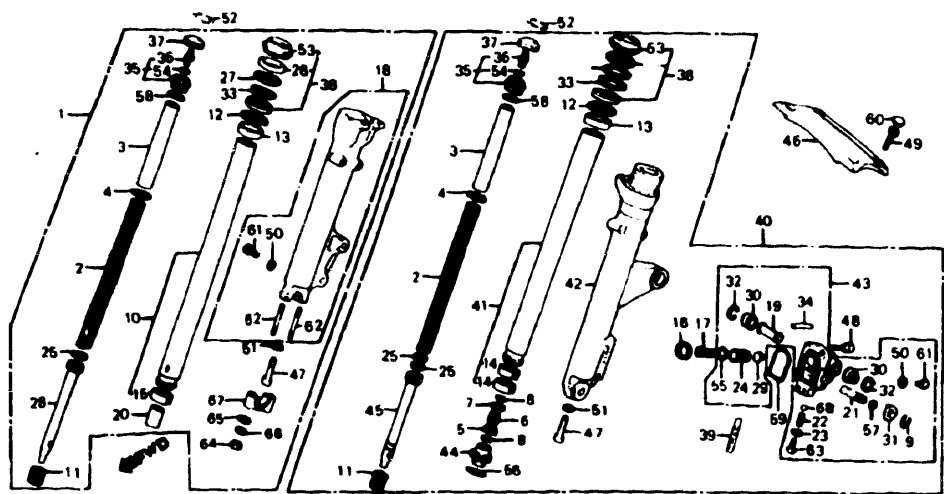
# CONTENTS

TITLE	PAGE	GRID
TACHOMETER	56	E2
AIR CLEANER	97	F10
BATTERY	95	F9
BRAKE CALIPER, FR.	76	E12
BRAKE MASTER, FR.	61	E4
BRAKE PANEL, RR.	80	F2
BRAKE PEDAL	102	G1
CABLES	59	E3
CANISTER (AC)	132	H4
CLUTCH MASTER CYLINDER	64	E6
CONTROL LEVER	59	E3
CYLINDER	61	E4
ELECTRIC PARTS	117	G8
FENDER, FR.	70	E9
FENDER, RR.	112	G6
FINAL DRIVEN GEAR	84	F4
FRAME	123	G1
FUEL TANK	87	F5
FUEL VALVE	87	F5
HANDLEBAR	66	E7
HEADLIGHT	54	E1
HORN	68	E8
MUFFLER	100	F12
RADIATOR	120	G10
SEAT	90	F7
SHIFT PEDAL	102	G1
SHOCK ABSORBER	110	G5
SHOCK ABSORBER, FR.	71	E9
SIDE COVER	92	F8
SPARK UNIT	112	G6
SPEEDOMETER	56	E2
STAND	106	G3
STEERING STEM	68	E8
STEP	104	G2
STRIPE	128	H2
SWINGARM	108	G4
SWITCHES	59	E3
TAILLIGHT	116	G8
TOOLS	126	H1
TOP BRIDGE	66	E7
TURN SIGNAL	114	G7
WHEEL, FR.	78	F1
WHEEL, RR.	82	F3
WIRE HARNESS	117	G8

VF700S'84 ENGINE NO.; RC22E-2000008 TO 2005978  
 VF700S'84 FRAME NO.; RC220-EM000007 TO EM005012  
 VF700S'84 ENGINE NO.; RC22E-2002575 TO 2006097  
 VF700S'84 FRAME NO.; RC221-EM000006 TO EM001081

VF700S'85 ENGINE NO.; RC22E-2100001 TO 2103668  
 VF700S'85 FRAME NO.; RC220-FM100001 TO FM102800  
 VF700S'85 ENGINE NO.; RC22E-2100001 TO 2103285  
 VF700S'85 FRAME NO.; RC221-FM100001 TO FM100863

# FRONT SHOCK ABSORBER



F14MBOE09

Ref. No.	BLOCK NO. DESCRIPTION	VF700S		AREA CODE	FRAME SERIAL NUMBER		QTY REQ	PART NUMBER	HONDA CODE
		8	5		FROM	TO			
	4 = VF700S'84 5 = VF700S'85								
	15 BUSH, SLIDER	4	5				1	51415-461-003	0918656
	16 GASKET, PISTON CASE	4					1	51417-ME1-671	1212190
	GASKET		5	A		FM102729	1	51417-ME1-671	1212190
			5	AC			1	51417-ME1-671	1212190
			5	A	FM102730		1	51417-MJ0-013	2021970
	17 SPRING, PISTON	4	5				1	51418-ME1-671	1212208
	18 CASE COMP., R. LOWER	4	5				1	51421-MB0-771	1316835
	19 COLLAR, PISTON	4	5				1	51423-MB1-771	1291871
	20 PIECE, OIL LOCKING	4	5				1	51432-461-771	0954297
	21 ROD, ADJUSTING	4	5				1	51433-MB0-003	1249317
	22 SPRING, CLICK	4	5				1	51434-MC7-003	1212257
	23 WASHER, SPECIAL, 5MM	4	5				1	51435-MC7-003	1217413
	24 PISTON	4	5				1	51436-MB1-771	1291897
	25 RING, PISTON	4	5				3	51437-MA0-771	1093962
	28 PIPE, SEAT	4					1	51440-MB0-003	1249341
	PIPE, SEAT		5				1	51440-MB0-771	1316843

VF700S'84 ENGINE NO.; RC22E-2000008 TO 2005978  
 VF700S'84 FRAME NO.; RC220-EM000007 TO EM005012  
 VF700S'84 ENGINE NO.; RC22E-2002575 TO 2006097  
 VF700S'84 FRAME NO.; RC221-EM000006 TO EM001081

VF700S'85 ENGINE NO.; RC22E-2100001 TO 2103668  
 VF700S'85 FRAME NO.; RC220-FM100001 TO FM102800  
 VF700S'85 ENGINE NO.; RC22E-2100001 TO 2103285  
 VF700S'85 FRAME NO.; RC221-FM100001 TO FM100863

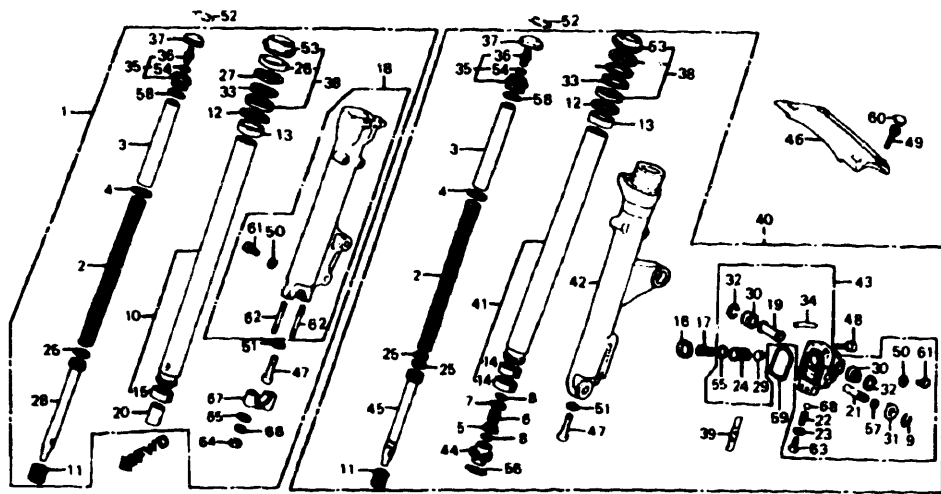
Ref. No.	BLOCK NO. DESCRIPTION	VF700S		AREA CODE	FRAME SERIAL NUMBER		QTY REQ	PART NUMBER	HONDA CODE
		8	5		FROM	TO			
	4 = VF700S'84 5 = VF700S'85								
	29 RUBBER, STOPPER	4	5				1	51441-MC7-003	1212281
	30 BOOT, PISTON CASE	4	5				2	51442-MC7-003	1212299
	31 WASHER, L. SIDE	4	5				1	51444-MB1-771	1291905
	32 HOLDER, BOOT	4	5				2	51445-MC7-003	1212315
	33 CIRCLIP, INTERNAL, 50MM	4	5				2	51447-461-003	0910885
	34 PIN, PARALLEL	4	5				1	51448-MB1-771	1390723
	35 BOLT ASSY., FR. SHOCK	4	5				2	51450-MB0-003	1249358
	36 VALVE COMP., AIR (SHOWA)	4	5				2	51456-469-013	0950428
	37 CAP ASSY., VALVE	4	5				2	51457-MB0-003	1249366
	38 SEAL SET, FR. FORK	4					2	51490-MC5-305	1249382
	SEAL SET, FR. SHOCK	4	5				2	51490-KAZ-003	4130118
	SEAL SET, FR. FORK	4	5				2	51490-MC5-315	1846476
	39 MARK, FR. FORK	4	5				1	51496-MC7-670	1249390
	40 SHOCK ABSORBER ASSY., L. FR.	4	5				1	51500-MB0-952	1876994
	41 PIPE COMP., L. FR. SHOCK	4	5				1	51510-MB0-951	1782176
	42 CASE COMP., L. LOWER	4	5				1	51521-MB0-951	1782184
	43 CASE ASSY., L. PISTON	4	5				1	51530-MB1-771	1291947
	44 PIECE B, OIL LOCK	4	5				1	51532-MB1-771	1291954
	45 PIPE, L. SEAT	4	5				1	51540-MC5-003	1316876
	46 STABILIZER, FR. SHOCK	4	5				1	53240-MB0-000	1252501
	47 BOLT, SOCKET, 8MM	4	5				2	90116-283-010	0254169
	48 BOLT, SOCKET	4	5				4	90118-MC7-003	1258300
	49 BOLT, SOCKET, 8X17	4	5				4	90153-MB0-000	1251123
	BOLT, SOCKET, 8X17	4	5				4	90153-MB0-405	4222808
	50 GASKET, FR. FORK DRAIN VALVE	4	5				2	90543-273-000	0052209
	51 WASHER, SPECIAL, 8MM	4	5				2	90544-283-000	0259457
	52 RING, SNAP	4	5				2	90601-438-730	1259605
	53 SEAL, DUST	4	5				2	91254-KAZ-003	4085528
	DUST SEAL, FR. FORK	4	5				2	91254-461-003	0911552
	DUST SEAL, FR. FORK	4	5				2	91254-461-004	1020700
	54 O-RING, 5.8X1.9	4	5				2	91301-469-003	0874768
	O-RING, 5.8X1.9	4	5				2	91305-323-000	0258012

# CONTENTS

TITLE	PAGE	GRID
TACHOMETER	56	E2
AIR CLEANER	97	F10
BATTERY	95	F9
BRAKE CALIPER, FR.	76	E12
BRAKE MASTER, FR.	61	E4
BRAKE PANEL, FR.	80	F2
BRAKE PEDAL	102	G1
CABLES	59	E3
CANISTER (AC)	132	H4
CLUTCH MASTER CYLINDER	64	E6
CONTROL LEVER	59	E3
CYLINDER	61	E4
ELECTRIC PARTS	117	G8
FENDER, FR.	70	E9
FENDER, RR.	112	G6
FINAL DRIVEN GEAR	84	F4
FRAME	123	G11
FUEL TANK	87	F5
FUEL VALVE	87	F5
HANDLEBAR	66	E7
HEADLIGHT	54	E1
HORN	68	E8
MUFFLER	100	F12
RADIATOR	120	G10
SEAT	90	F7
SHIFT PEDAL	102	G1
SHOCK ABSORBER	110	G5
SHOCK ABSORBER, FR.	71	E9
SIDE COVER	92	F8
SPARK UNIT	112	G6
SPEEDOMETER	56	E2
STAND	106	G3
STEERING STEM	68	E8
STEP	104	G2
STRIP	128	H2
SWINGARM	108	G4
SWITCHES	59	E3
TAILLIGHT	116	G8
TOOLS	126	H1
TOP BRIDGE	66	E7
TURN SIGNAL	114	G7
WHEEL, FR.	78	F1
WHEEL, RR.	82	F3
WIRE HARNESS	117	G8



# FRONT SHOCK ABSORBER



F14MBOE09

Ref. No.	BLOCK NO. DESCRIPTION	F-9	VF700S		AREA CODE	FRAME SERIAL NUMBER		QTY REQ	PART NUMBER	HONDA CODE
			4	5		FROM	TO			
	4 = VF700S'84 5 = VF700S'85									
54	O-RING, 5.6X1.9 (ARAI)		4	5				2	91318-ME5-003	1366574
55	O-RING D, 13.8X2.4 (SHOWA)		4	5				1	91305-MC7-003	1213222
	O-RING D, 13.8X2.4 (SHOWA)		4	5				1	91308-MC7-003	1251552
	O-RING, 13.8X2.4 (NOK)		4	5				1	91311-PH7-003	2373504
56	O-RING E, 33.5X2		4	5				1	91306-MC7-003	1213230
57	O-RING B, 6.8X1.9		4	5				1	91306-PJ4-000	2373447
	O-RING B, 6.8X1.9		4	5				1	91310-MC7-003	1218569
58	O-RING, 29X2.4		4	5				2	91356-371-000	0471300
59	O-RING, 49.4X3.1		4	5				1	91399-MB0-003	1260900
60	CAP, SOCKET BOLT, 8MM		4	5				4	91455-MB0-010	2332187
61	BOLT, HEX., 6X8		4	5				2	92000-06008-0A	0724377
	BOLT, HEX., 6X8		4	5				2	92101-06008-0A	2504868
62	BOLT, STUD, 8X50		4	5				2	92700-08050-3B	0416966
	BOLT, STUD, 8X50		4	5				2	92900-08028-3B	2892685
63	SCREW, PAN, 5X10		4	5				1	93500-05010-0A	0156976
	SCREW, PAN, 5X10		4	5				1	93500-05010-1A	0814343

VF700S'84 ENGINE NO.; RC22E-2000008 TO 2005978  
 VF700S'84 FRAME NO.; RC220-EM000007 TO EM005012  
 VF700S'84 ENGINE NO.; RC22E-2002575 TO 2006097  
 VF700S'84 FRAME NO.; RC221-EM000006 TO EM001081

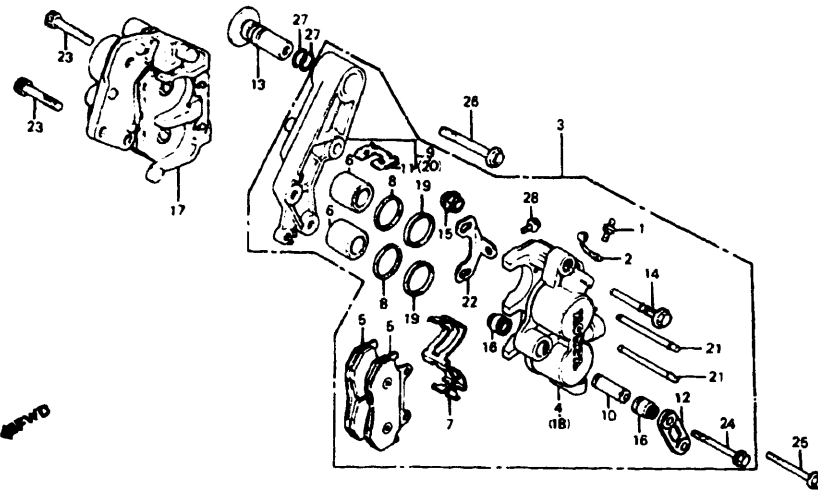
VF700S'85 ENGINE NO.; RC22E-2100001 TO 2103668  
 VF700S'85 FRAME NO.; RC220-FM100001 TO FM102800  
 VF700S'85 ENGINE NO.; RC22E-2100001 TO 2103285  
 VF700S'85 FRAME NO.; RC221-FM100001 TO FM100863

Ref. No.	BLOCK NO. DESCRIPTION	F-9	VF700S		AREA CODE	FRAME SERIAL NUMBER		QTY REQ	PART NUMBER	HONDA CODE
			4	5		FROM	TO			
	4 = VF700S'84 5 = VF700S'85									
63	SCREW, 5X10		4	5				1	93510-05010-0A	0173583
64	NUT, HEX., 8MM		4	5				2	94030-08000	0114686
65	WASHER, PLAIN, 8MM		4	5				2	94101-08000	0059097
66	WASHER, SPRING, 8MM		4	5				2	94111-08000	0058982
67	HOLDER 1C, FR. FORK AXLE		4	5				1	95014-41000	0255653
68	BALL, STEEL, #5 (5/32)		4	5				1	96211-05000	0058917

# CONTENTS

TITLE	PAGE	GRID
TACHOMETER	56	E2
AIR CLEANER	97	F10
BATTERY	95	F9
BRAKE CALIPER FR	76	E12
BRAKE MASTER FR	61	E4
BRAKE PANEL RR	80	F2
BRAKE PEDAL	102	G1
CABLES	59	E3
CANISTER (AC)	132	H4
CLUTCH MASTER CYLINDER	64	E6
CONTROL LEVER	59	E3
CYLINDER	61	E4
ELECTRIC PARTS	117	G8
FENDER FR	70	E9
FENDER RR	112	G6
FINAL DRIVEN GEAR	84	F4
FRAME	123	G11
FUEL TANK	87	F5
FUEL VALVE	87	F5
HANDLEBAR	66	E7
HEADLIGHT	54	E1
HORN	68	E8
MUFFLER	100	F12
RADIATOR	120	G10
SEAT	90	F7
SHIFT PEDAL	102	G1
SHOCK ABSORBER	110	G5
SHOCK ABSORBER FR	71	E9
SIDE COVER	92	F8
SPARK UNIT	112	G6
SPEEDOMETER	56	E2
STAND	106	G3
STEERING STEM	68	E8
STEP	104	G2
STRIPE	128	H2
SWINGARM	108	G4
SWITCHES	59	E3
TAILLIGHT	116	G8
TOOLS	126	H1
TOP BRIDGE	66	E7
TURN SIGNAL	114	G7
WHEEL FR	78	F1
WHEEL RR	82	F3
WIRE HARNESS	117	G8

# FRONT BRAKE CALIPER



F14MB0E10

Ref. No.	BLOCK NO. F-10 DESCRIPTION	VF700S		AREA CODE	FRAME SERIAL NUMBER		QTY REQ	PART NUMBER	HONDA CODE
		84	85		FROM	TO			
4 = VF700S'84 5 = VF700S'85									
1	SCREW, BLEEDER	4	5				2	43352-568-003	0505735
2	CAP, BLEEDER SCREW	4	5				2	43353-461-771	0954230
3	CALIPER ASSY., L. FR. (NISSHIN ASK)	4	--				1	45100-MB0-701	1384064
	CALIPER ASSY., L. FR. (NISSHIN TT)	4	--				1	45100-MB0-702	1384072
	CALIPER ASSY., L. FR. (NISSHIN ASK)	--	5				1	45100-MB0-911	1876879
	CALIPER ASSY., L. FR. (NISSHIN TT)	--	5				1	45100-MB0-912	1876887
4	CALIPER COMP., L.	4	5				1	45101-MA3-006	1011915
5	PAD COMP., FR. (ASK) (SEE KIT P/N--END OF BLOCK)	4	5				4	45105-MB1-701	1458926
	PAD COMP., FR. (TT) (SEE KIT P/N--END OF BLOCK)	4	5				4	45105-MB1-702	1458934
	PAD COMP., FR. (ASK) (SEE KIT P/N--END OF BLOCK)	4	5				4	45105-MJ1-672	1734797
	PAD COMP., FR. (ASK) (SEE KIT P/N--END OF BLOCK)	4	5				4	45105-MJ1-673	2781037
6	PISTON	4	5				4	45107-MA3-006	1011949

Ref. No.	BLOCK NO. F-10 DESCRIPTION	VF700S		AREA CODE	FRAME SERIAL NUMBER		QTY REQ	PART NUMBER	HONDA CODE
		84	85		FROM	TO			
4 = VF700S'84 5 = VF700S'85									
7	SPRING, PAD	4	5				2	45108-MA3-006	1011956
8	DUST SEAL	4	5				4	45109-166-006	1011964
9	BRACKET COMP., L. FR.	4	5				1	45110-MB7-611	1248186
10	SLEEVE	4	5				2	45111-MA3-006	1011980
11	RETAINER, BRACKET	4	5				2	45112-445-631	1095496
12	BRIDGE, CALIPER BRACKET	4	5				1	45113-MB7-610	1248194
13	SLEEVE, FR. CALIPER BRACKET	4	5				1	45114-MB7-610	1211770
14	BOLT, PIN	4	5				2	45131-MA3-006	1012004
15	BOOT (B)	4	5				2	45133-MA3-006	1012012
16	BOOT, PIN	4	5				4	45133-166-016	1012020
17	CALIPER ASSY., R. FR. (NISSHIN ASK)	4	--				1	45200-MB0-701	1384080
	CALIPER ASSY., R. FR. (NISSHIN TT)	4	--				1	45200-MB0-702	1384098
	CALIPER ASSY., R. FR. (NISSHIN ASK)	--	5				1	45200-MB0-911	1876911
	CALIPER ASSY., R. FR. (NISSHIN TT)	--	5				1	45200-MB0-912	1876929
18	CALIPER COMP., R.	4	5				1	45201-MA3-006	1020494
19	SEAL, PISTON	4	5				4	45209-166-006	1012038
20	BRACKET COMP., R. FR.	4	5				1	45210-445-632	1073105
21	PIN, HANGER RETAINER GROOVE, 4.0MM DIA.	4	5				4	45215-MA3-006	1012046
22	PLATE	4	--				2	45217-MA3-006	1012053
	PLATE	--	5				2	45217-MJ0-006	1743590
23	BOLT, SOCKET, 10X40	4	5				2	90164-460-840	1113257
24	BOLT, FLANGE, 8X49	4	5				1	90180-MA3-006	1053107
25	BOLT, FLANGE, 8X55	4	5				1	90180-MA3-660	1213107
26	BOLT, FLANGE, 10X50	4	5				1	90185-MC7-013	1260785
27	O-RING, 16.8X1.9	4	5				2	91302-MC7-611	1218544
28	BOLT, FLANGE, 6X10	4	5				2	95700-06010-07	0663930
	BOLT, FLANGE, 6X10	4	5				2	95701-06010-07	2374734
NI	BRAKE PAD KIT	4	5				2	451A0-MJ1-670	3529146

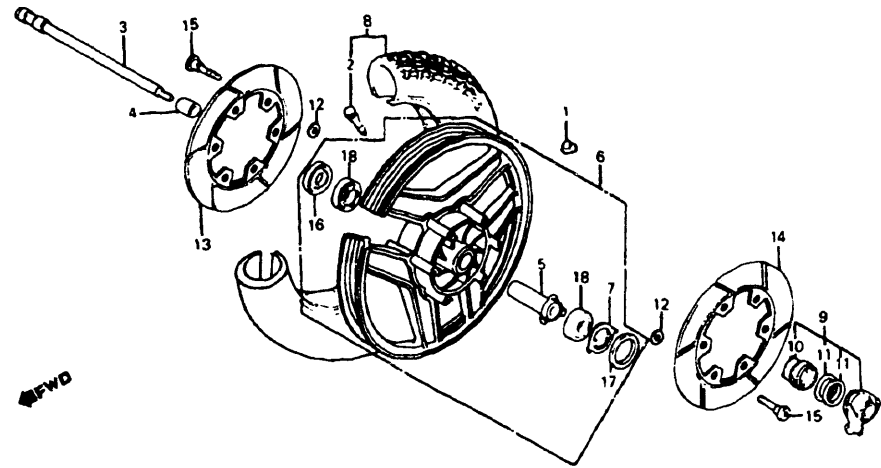
# CONTENTS

TITLE	PAGE	GRID
TACHOMETER	56	E2
AIR CLEANER	97	F10
BATTERY	95	F9
BRAKE CALIPER, FR.	76	E12
BRAKE MASTER, FR.	61	E4
BRAKE PANEL, RR.	80	F2
BRAKE PEDAL	102	G1
CABLES	59	E3
CANISTER (AC)	132	H4
CLUTCH MASTER CYLINDER	64	E6
CONTROL LEVER	59	E3
CYLINDER	61	E4
ELECTRIC PARTS	117	G8
FENDER, FR.	70	E9
FENDER, RR.	112	G6
FINAL DRIVEN GEAR	84	F4
FRAME	123	G11
FUEL TANK	87	F5
FUEL VALVE	87	F5
HANDLEBAR	66	E7
HEADLIGHT	54	E1
HORN	68	E8
MUFFLER	100	F12
RADIATOR	120	G10
SEAT	90	F7
SHIFT PEDAL	102	G1
SHOCK ABSORBER	110	G5
SHOCK ABSORBER, FR.	71	E9
SIDE COVER	92	F8
SPARK UNIT	112	G6
SPEEDOMETER	56	E2
STAND	106	G3
STEERING STEM	68	E8
STEP	104	G2
STRIPE	128	H2
SWINGARM	108	G4
SWITCHES	59	E3
TAILLIGHT	116	G8
TOOLS	126	H1
TOP BRIDGE	66	E7
TURN SIGNAL	114	G7
WHEEL, FR.	78	F1
WHEEL, RR.	82	F3
WIRE HARNESS	117	G8

VF700S'84 ENGINE NO.; RC22E-2000008 TO 2005978  
 VF700S'84 FRAME NO.; RC220-EM000007 TO EM005012  
 VF700S'84 ENGINE NO.; RC22E-2002575 TO 2006097  
 VF700S'84 FRAME NO.; RC221-EM000006 TO EM001081

VF700S'85 ENGINE NO.; RC22E-2100001 TO 2103668  
 VF700S'85 FRAME NO.; RC220-FM100001 TO FM102800  
 VF700S'85 ENGINE NO.; RC22E-2100001 TO 2103285  
 VF700S'85 FRAME NO.; RC221-FM100001 TO FM100863

# FRONT WHEEL



F14MB0E11

Ref. No.	BLOCK NO. F-11	DESCRIPTION	VF700S		AREA CODE	FRAME SERIAL NUMBER		QTY REQ	PART NUMBER	HONDA CODE
			4	5		FROM	TO			
4 = VF700S'84 5 = VF700S'85										
1		WEIGHT, BALANCE (10G)	4	5				AR	42704-MB0-000	1272319
		WEIGHT, BALANCE (20G)	4	5				AR	42705-MB0-000	1247881
		WEIGHT, BALANCE (30G)	4	5				AR	42706-MB0-000	1247899
2		VALVE, RIM (BRIDGESTONE)	4	5				1	42753-425-003	1032465
		VALVE, RIM	4	5				1	42753-425-004	1041128
3		AXLE, FR. WHEEL	4	5				1	44301-KR3-901	2258358
		AXLE, FR. WHEEL	4	5				1	44301-MC5-000	1272368
4		COLLAR, FR. WHEEL SIDE	4	5				1	44311-MC5-010	1298835
5		COLLAR COMP., FR. AXLE DISTANCE	4	5				1	44620-MB0-000	1248020
6		WHEEL COMP., FR.	4		A		EM004312	1	44650-MB0-315	1557982
			4		AC		EM000913	1	44650-MB0-315	1557982
		WHEEL COMP., FR.	4		A		EM004312	1	44650-MB0-325	1833391
			4		AC		EM000913	1	44650-MB0-325	1833391
			4	5				1	44650-MB0-325	1833391
7		RETAINER, GEAR BOX	4	5				1	44680-410-000	0482968
8		TIRE ASSY., FR. (110/90-18 61H BS)	4	5				1	44710-MB0-671	1252485

Ref. No.	BLOCK NO. F-11	DESCRIPTION	VF700S		AREA CODE	FRAME SERIAL NUMBER		QTY REQ	PART NUMBER	HONDA CODE
			4	5		FROM	TO			
4 = VF700S'84 5 = VF700S'85										
8		TIRE ASSY., FR. (110/90-18 61H DUNLOP)	4	5				1	44710-MB0-672	1248053
		TIRE ASSY., FR. (110/90-18 61H DUNLOP)	4	5				1	44710-MB3-673	1743483
9		BOX ASSY., SPEEDOMETER GEAR	4	5				1	44800-MB0-013	2450765
10		GEAR, SPEEDOMETER	4	5				1	44806-MB0-003	1248095
11		WASHER, SPEEDOMETER GEAR	4	5				2	44809-402-000	0433896
12		SHIM, DAMPING	4	5				12	45128-ME2-003	1390830
13		DISK, R. FR. BRAKE	4	5				1	45251-MJ1-670	1692201
14		DISK, L. FR. BRAKE	4	5				1	45351-MJ1-670	1692219
15		BOLT, FR. DISK, 8X59	4	5				12	90105-ME2-000	1390848
		BOLT, FR. DISK, 8X57	4	5				12	90106-MF2-010	2045888
16		SEAL, DUST, 22X42X7	4	5				1	91252-MC7-003	1210913
17		DUST SEAL, 40X50X5 (ARAI)	4	5				1	91258-410-013	0670992
18		BEARING, RADIAL BALL, 6302UU	4	5				2	96150-63020-10	1213347

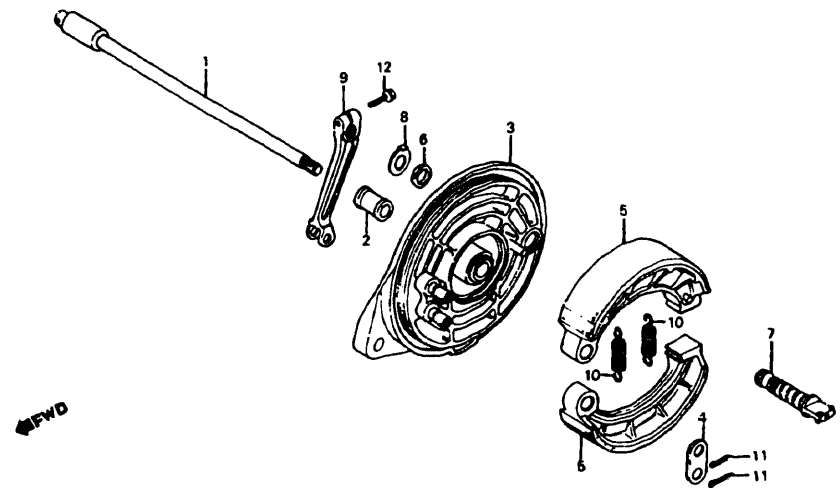
# CONTENTS

TITLE	PAGE	GRID
TACHOMETER	56	E2
AIR CLEANER	97	F10
BATTERY	95	F9
BRAKE CALIPER, FR.	76	E12
BRAKE MASTER, FR.	61	E4
BRAKE PANEL, FR.	80	F2
BRAKE PEDAL	102	G1
CABLES	59	E3
CANISTER (AC)	132	H4
CLUTCH MASTER CYLINDER	64	E6
CONTROL LEVER	59	E3
CYLINDER	61	E4
ELECTRIC PARTS	117	G8
FENDER, FR.	70	E9
FENDER, RR.	112	G6
FINAL DRIVEN GEAR	84	F4
FRAME	123	G11
FUEL TANK	87	F5
FUEL VALVE	87	F5
HANDLEBAR	66	E7
HEADLIGHT	54	E1
HORN	68	E8
MUFFLER	100	F12
RADIATOR	120	G10
SEAT	90	F7
SHIFT PEDAL	102	G1
SHOCK ABSORBER	110	G5
SHOCK ABSORBER, FR.	71	E9
SIDE COVER	92	F8
SPARK UNIT	112	G6
SPEEDOMETER	56	E2
STAND	106	G3
STEERING STEM	68	E8
STEP	104	G2
STRIPE	128	H2
SWINGARM	108	G4
SWITCHES	59	E3
TAILLIGHT	116	G8
TOOLS	126	H1
TOP BRIDGE	66	E7
TURN SIGNAL	114	G7
WHEEL, FR.	78	F1
WHEEL, RR.	82	F3
WIRE HARNESS	117	G8

VF700S'84 ENGINE NO.; RC22E-2000008 TO 2005978  
 VF700S'84 FRAME NO.; RC220-EM000007 TO EM005012  
 VF700S'84 ENGINE NO.; RC22E-2002575 TO 2006097  
 VF700S'84 FRAME NO.; RC221-EM000006 TO EM001081

VF700S'85 ENGINE NO.; RC22E-2100001 TO 2103668  
 VF700S'85 FRAME NO.; RC220-FM100001 TO FM102800  
 VF700S'85 ENGINE NO.; RC22E-2100001 TO 2103285  
 VF700S'85 FRAME NO.; RC221-FM100001 TO FM100863

# REAR BRAKE PANEL



F14MB0E12

Ref. No.	BLOCK NO. DESCRIPTION	VF700S	VF700S	AREA CODE	FRAME SERIAL NUMBER		QTY REQ	PART NUMBER	HONDA CODE
					FROM	TO			
4 = VF700S'84 5 = VF700S'85									
1	AXLE, RR. WHEEL	4	5		----	----	1	42301-MB0-700	1291715
2	COLLAR, RR. WHEEL SIDE	4	5		----	----	1	42313-MB0-700	1291723
3	PANEL COMP., RR.	4	5		----	----	1	43100-MB0-951	2053478
4	WASHER, ANCHOR PIN	4	5		----	----	1	43102-319-000	0212092
	WASHER, RR. BRAKE ANCHOR PIN	4	5		----	----	1	43106-222-300	0033233
5	SHOE COMP., RR. BRAKE (SEE KIT P/N--END OF BLOCK)	4	5		----	----	2	43120-415-000	0669408
6	DUST SEAL, BRAKE CAM	4	5		----	----	1	43134-300-000	0191064
7	CAM RR. BRAKE	4	5		----	----	1	43141-MB0-000	1247956
8	INDICATOR, RR. BRAKE	4	5		----	----	1	43145-415-000	0669424
9	ARM, RR. BRAKE	4	5		----	----	1	43410-MB0-950	1782010
10	SPRING, FR. BRAKE SHOE	4	5		----	----	2	45133-329-000	0293316
11	PIN, SPLIT, 2.5MM	4	5		----	----	2	94201-25200	0058404
	PIN, COTTER, 2.5MM	4	5		----	----	2	94201-25250	0145581
	PIN, COTTER, 2.5MM	4	5		----	----	2	94201-25300	0156091
12	BOLT, FLANGE, 8X25	4	5		----	----	1	95700-08025-00	0671214

VF700S'84 ENGINE NO.; RC22E-2000008 TO 2005978  
 VF700S'84 FRAME NO.; RC220-EM000007 TO EM005012  
 VF700S'84 ENGINE NO.; RC22E-2002575 TO 2006097  
 VF700S'84 FRAME NO.; RC221-EM000006 TO EM001081

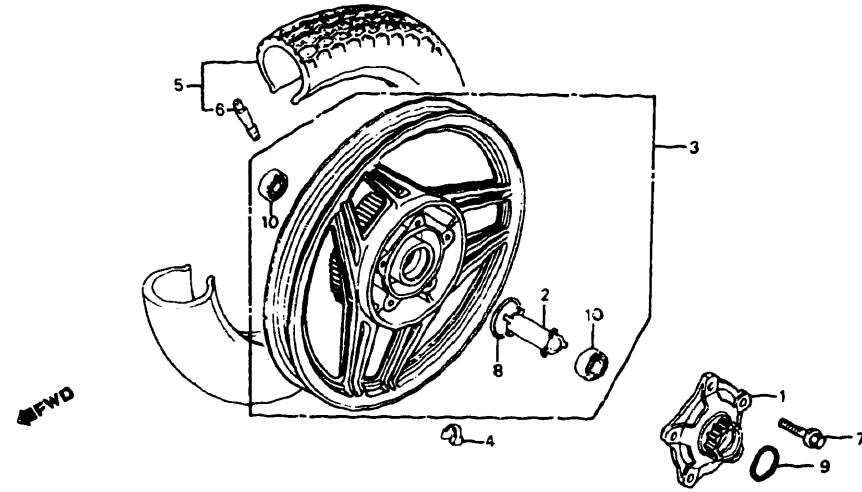
VF700S'85 ENGINE NO.; RC22E-2100001 TO 2103668  
 VF700S'85 FRAME NO.; RC220-FM100001 TO FM102800  
 VF700S'85 ENGINE NO.; RC22E-2100001 TO 2103285  
 VF700S'85 FRAME NO.; RC221-FM100001 TO FM100863

Ref. No.	BLOCK NO. DESCRIPTION	VF700S	VF700S	AREA CODE	FRAME SERIAL NUMBER		QTY REQ	PART NUMBER	HONDA CODE
					FROM	TO			
4 = VF700S'84 5 = VF700S'85									
12	BGLT, FLANGE, 8X25	4	5		----	----	1	95701-08025-00	2545325
NI	BRAKE SHOE SET	4	5		----	----	1	06430-415-000	3906906
	BRAKE SHOE KIT	4	5		----	----	1	431A2-415-000	3211950

# CONTENTS

TITLE	PAGE	GRID
TACHOMETER	56	E2
AIR CLEANER	97	F10
BATTERY	95	F9
BRAKE CALIPER, FR.	76	E12
BRAKE MASTER, FR.	61	E4
BRAKE PANEL, RR.	80	F2
BRAKE PEDAL	102	G1
CABLES	59	E3
CANISTER (AC)	132	H4
CLUTCH MASTER CYLINDER	64	E6
CONTROL LEVER	59	E3
CYLINDER	61	E4
ELECTRIC PARTS	117	G8
FENDER, FR.	70	E9
FENDER, RR.	112	G6
FINAL DRIVEN GEAR	84	F4
FRAME	123	G11
FUEL TANK	87	F5
FUEL VALVE	87	F5
HANDLEBAR	66	E7
HEADLIGHT	54	E1
HORN	68	E8
MUFFLER	100	F12
RADIATOR	120	G10
SEAT	90	F7
SHIFT PEDAL	102	G1
SHOCK ABSORBER	110	G5
SHOCK ABSORBER, FR.	71	E9
SIDE COVER	92	F8
SPARK UNIT	112	G6
SPEEDOMETER	56	E2
STAND	106	G3
STEERING STEM	68	E8
STEP	104	G2
STRIPE	128	H2
SWINGARM	108	G4
SWITCHES	59	E3
TAILLIGHT	116	G8
TOOLS	126	H1
TOP BRIDGE	66	E7
TURN SIGNAL	114	G7
WHEEL, FR.	78	F1
WHEEL, RR.	82	F3
WIRE HARNESS	117	G8

# REAR WHEEL



F14MB0E13

Ref. No.	BLOCK NO.	F-13	V F 7 0 0 S	V F 7 0 0 S	A R E A C O D E	FRAME SERIAL NUMBER		QTY REQ	PART NUMBER	HONDA CODE
						FROM	TO			
			4	5		-----	-----	1	91357-MB0-000	1251602
			4	5		-----	-----	1	91358-MB0-000	1251610
			4	5		-----	-----	2	96140-63030-10	0300616

# CONTENTS

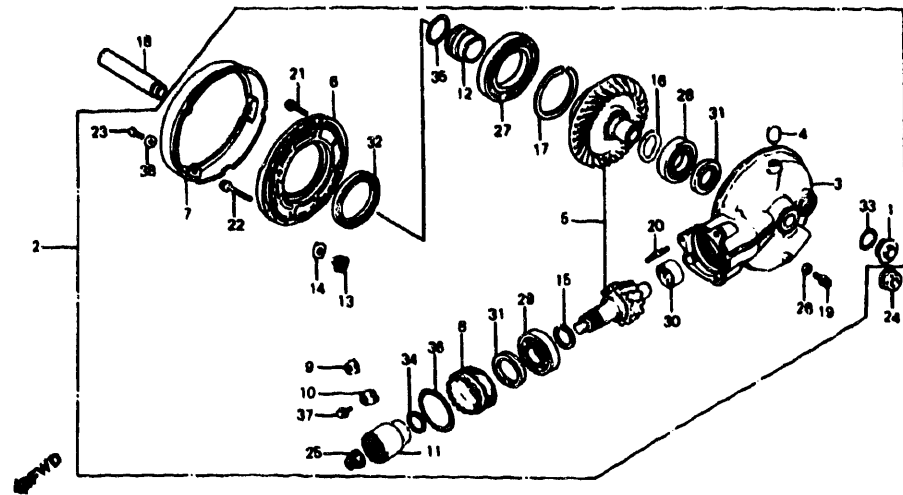
TITLE	PAGE	GRID
TACHOMETER	56	E2
AIR CLEANER	97	F10
BATTERY	95	F9
BRAKE CALIPER, FR.	76	E12
BRAKE MASTER, FR.	61	E4
BRAKE PANEL, RR.	80	F2
BRAKE PEDAL	102	G1
CABLES	59	E3
CANISTER (AC)	132	H4
CLUTCH MASTER CYLINDER	64	E6
CONTROL LEVER	59	E3
CYLINDER	61	E4
ELECTRIC PARTS	117	G8
FENDER, FR.	70	E9
FENDER, RR.	112	G6
FINAL DRIVEN GEAR	84	F4
FRAME	123	G11
FUEL TANK	87	F5
FUEL VALVE	87	F5
HANDLEBAR	66	E7
HEADLIGHT	54	E1
HORN	68	E8
MUFFLER	100	F12
RADIATOR	120	G10
SEAT	90	F7
SHIFT PEDAL	102	G1
SHOCK ABSORBER	110	G5
SHOCK ABSORBER, FR.	71	E9
SIDE COVER	92	F8
SPARK UNIT	112	G6
SPEEDOMETER	56	E2
STAND	106	G3
STEERING STEM	68	E8
STEP	104	G2
STRIPE	128	H2
SWINGARM	108	G4
SWITCHES	59	E3
TAILLIGHT	116	G8
TOOLS	126	H1
TOP BRIDGE	66	E7
TURN SIGNAL	114	G7
WHEEL, FR.	78	F1
WHEEL, RR.	82	F3
WIRE HARNESS	117	G8

Ref. No.	BLOCK NO.	F-13	V F 7 0 0 S	V F 7 0 0 S	A R E A C O D E	FRAME SERIAL NUMBER		QTY REQ	PART NUMBER	HONDA CODE
						FROM	TO			
			4	5		-----	-----	1	42615-MB0-700	1293190
			4	5		-----	-----	1	42620-MB0-000	1247840
			4	5		-----	-----	1	42650-MB0-700	1308980
			4	5		-----	-----	AR	42704-MB0-000	1272319
			4	5		-----	-----	AR	42705-MB0-000	1247881
			4	5		-----	-----	AR	42706-MB0-000	1247899
			4	--		-----	-----	1	42710-MB0-672	1247915
			4	--		-----	-----	1	42710-MB3-672	1833367
			4	--		-----	-----	1	42710-MB3-673	1743376
			4	5		-----	-----	1	42710-MB0-671	1247907
			4	5		-----	-----	1	42710-MB0-912	1876861
			4	5		-----	-----	1	42753-425-003	1032465
			4	5		-----	-----	1	42753-425-004	1041128
			4	5		-----	-----	5	90130-MC7-000	1210814

VF700S'84 ENGINE NO.; RC22E-2000008 TO 2005978  
 VF700S'84 FRAME NO.; RC220-EM000007 TO EM005012  
 VF700S'84 ENGINE NO.; RC22E-2002575 TO 2006097  
 VF700S'84 FRAME NO.; RC221-EM000006 TO EM001081

VF700S'85 ENGINE NO.; RC22E-2100001 TO 2103668  
 VF700S'85 FRAME NO.; RC220-FM100001 TO FM102800  
 VF700S'85 ENGINE NO.; RC22E-2100001 TO 2103285  
 VF700S'85 FRAME NO.; RC221-FM100001 TO FM100863

# FINAL DRIVEN GEAR



F14MB0E14

Ref. No.	BLOCK NO. F-14 DESCRIPTION	VF700S		AREA CODE	FRAME SERIAL NUMBER		QTY	PART NUMBER	HONDA CODE
		4	5		FROM	TO			
	4 = VF700S'84 5 = VF700S'85	V	V	A					
		F	F	R					
		8	8	C					
		4	5	O					
		4	5	D					
1	CAP, TAPPET ADJUSTING HOLE	4	5				1	12361-035-000	0069625
	CAP, TAPPET ADJUSTING HOLE	4	5				1	12361-300-000	0188870
	CAP, TAPPET ADJUSTING HOLE	4	5				1	12361-371-980	0454934
2	GEAR ASSY., FINAL	4	5				1	41300-MB0-870	1794114
3	CASE, FINAL GEAR	4	5				1	41301-MB0-870	1781996
4	CAP, BREATHER	4	5				1	41306-MB0-010	1316736
	BREATHER ASSY.	4	5				1	41306-ME5-305	1534924
5	GEAR SET, FINAL	4	5				1	41310-MB0-305	1247543
6	COVER, GEAR CASE	4	5				1	41321-ME5-770	1536226
7	PLATE, DUST GUARD	4	5				1	41324-MB0-010	1316751
8	RETAINER, BEARING	4	5				1	41331-MB0-000	1247584
9	LOCK, BEARING ADJUSTING (A)	4	5				1	41332-415-000	0669176
10	LOCK, BEARING ADJUSTING (B)	4	5				1	41333-415-000	0669184
11	JOINT, PINION	4	5				1	41410-ME5-000	1378207
12	HOLDER, O-RING	4	5				1	41433-MB0-010	1316769
13	PIN, RING GEAR STOPPER	4	5				1	41436-MB0-310	1316777

Ref. No.	BLOCK NO. F-14 DESCRIPTION	VF700S		AREA CODE	FRAME SERIAL NUMBER		QTY	PART NUMBER	HONDA CODE
		4	5		FROM	TO			
	4 = VF700S'84 5 = VF700S'85	V	V	A					
		F	F	R					
		8	8	C					
		4	5	O					
		4	5	D					
14	SHIM A, STOPPER PIN (0.10)	4	5				1	41437-MB0-310	1316785
	SHIM B, STOPPER PIN (0.15)	4	5				1	41438-MB0-310	1316793
15	SHIM A, PINION GEAR (1.82)	4	5				1	41450-MB0-000	1247642
	SHIM B, PINION GEAR (1.88)	4	5				1	41451-MB0-000	1247659
	SHIM C, PINION GEAR (1.94)	4	5				1	41452-MB0-000	1247667
	SHIM D, PINION GEAR (2.00)	4	5				1	41453-MB0-000	1247675
	SHIM E, PINION GEAR (2.06)	4	5				1	41454-MB0-000	1247683
	SHIM F, PINION GEAR (2.12)	4	5				1	41455-MB0-000	1247691
	SHIM G, PINION GEAR (2.18)	4	5				1	41456-MB0-000	1247709
16	WASHER, SPECIAL, 35X40	4	5				1	41510-MB0-003	1247717
17	SPACER A, RING GEAR (1.82)	4	5				1	41530-MB0-000	1247725
	SPACER B, RING GEAR (1.88)	4	5				1	41531-MB0-000	1247733
	SPACER C, RING GEAR (1.94)	4	5				1	41532-MB0-000	1247741
	SPACER D, RING GEAR (2.00)	4	5				1	41533-MB0-000	1247758
	SPACER E, RING GEAR (2.06)	4	5				1	41534-MB0-000	1247766
	SPACER F, RING GEAR (2.12)	4	5				1	41535-MB0-000	1247774
	SPACER G, RING GEAR (2.18)	4	5				1	41536-MB0-000	1247782
	SPACER H, RING GEAR (2.24)	4	5				1	41537-MB0-000	1247790
	SPACER I, RING GEAR (2.30)	4	5				1	41538-MB0-000	1247808
18	COLLAR B, RR. DISTANCE	4	5				1	42625-MB0-000	1247857
19	BOLT, SOCKET, 8X11	4	5				1	90109-ME5-770	1536515
20	BOLT, STUD, 10X50	4	5				3	90125-ME5-000	1378215
21	BOLT, FLANGE, 8X27	4	5				6	90133-MB0-000	1251016
22	BOLT, FLANGE, 10X38	4	5				2	90134-371-000	0471250
23	BOLT, HEX., 6X16	4	5				1	90170-MB0-000	1251206
24	NUT, RR. AXLE U, 16MM	4	5				1	90305-MC0-003	1117910
25	NUT, HEX., 16MM	4	5				1	90381-MB0-010	1378223
26	WASHER, 8MM	4	5				1	90471-580-000	0517144
27	BEARING, RADIAL BALL, 16012C3	4	5				1	91051-MB0-005	1251438
28	BEARING, RADIAL BALL, 57/34C3	4	5				1	91052-MB0-003	1251446
	BEARING, RADIAL BALL, 57/34C3	4	5				1	91052-MB0-005	1251453
29	BEARING, RADIAL BALL, 6305	4	5				1	91061-MB0-005	1251461

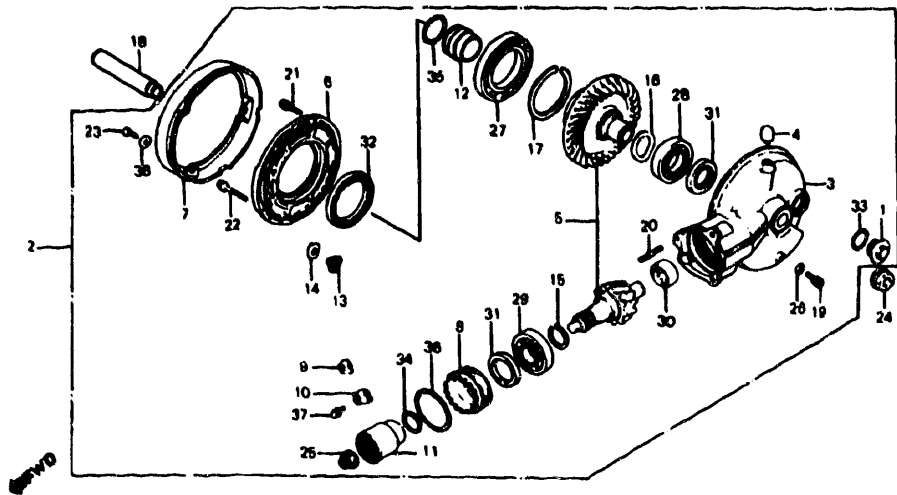
# CONTENTS

TITLE	PAGE	GRID
TACHOMETER	56	E2
AIR CLEANER	97	F10
BATTERY	95	F9
BRAKE CALIPER, FR.	76	E12
BRAKE MASTER, FR.	61	E4
BRAKE PANEL, RR.	80	F2
BRAKE PEDAL	102	G1
CABLES	59	E3
CANISTER (AC)	132	H4
CLUTCH MASTER CYLINDER	64	E6
CONTROL LEVER	59	E3
CYLINDER	61	E4
ELECTRIC PARTS	117	G8
FENDER, FR.	70	E9
FENDER, RR.	112	G6
FINAL DRIVEN GEAR	84	F4
FRAME	123	G11
FUEL TANK	87	F5
FUEL VALVE	87	F5
HANDLEBAR	66	E7
HEADLIGHT	54	E1
HORN	68	E8
MUFFLER	100	F12
RADIATOR	120	G10
SEAT	90	F7
SHIFT PEDAL	102	G1
SHOCK ABSORBER	110	G5
SHOCK ABSORBER, FR.	71	E9
SIDE COVER	92	F8
SPARK UNIT	112	G6
SPEEDOMETER	56	E2
STAND	106	G3
STEERING STEM	68	E8
STEP	104	G2
STRIPE	128	H2
SWINGARM	108	G4
SWITCHES	59	E3
TAILLIGHT	116	G8
TOOLS	126	H1
TOP BRIDGE	66	E7
TURN SIGNAL	114	G7
WHEEL, FR.	78	F1
WHEEL, RR.	82	F3
WIRE HARNESS	117	G8

VF700S'84 ENGINE NO.; RC22E-2000008 TO 2005978  
 VF700S'84 FRAME NO.; RC220-EM000007 TO EM005012  
 VF700S'84 ENGINE NO.; RC22E-2002575 TO 2006097  
 VF700S'84 FRAME NO.; RC221-EM000006 TO EM001081

VF700S'85 ENGINE NO.; RC22E-2100001 TO 2103668  
 VF700S'85 FRAME NO.; RC220-FM100001 TO FM102800  
 VF700S'85 ENGINE NO.; RC22E-2100001 TO 2103285  
 VF700S'85 FRAME NO.; RC221-FM100001 TO FM100863

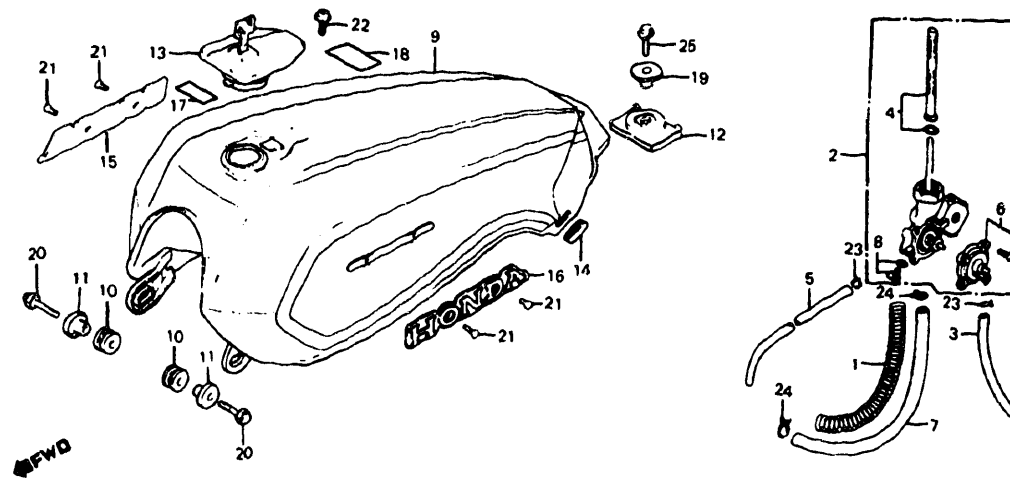
# FINAL DRIVEN GEAR



F14MB0E14

Ref. No.	BLOCK NO. DESCRIPTION	VF700S		AREA CODE	FRAME SERIAL NUMBER	QTY REQ	PART NUMBER	HONDA CODE
		84	85					
	4 = VF700S'84 5 = VF700S'85							
30	BEARING, NEEDLE, 19/16	4	5		-----	1	91062-MB0-013	1810696
31	OIL SEAL, 34x50x7 (ARAI)	4	5		-----	2	91261-MB0-003	1266832
	OIL SEAL, 34x50x7 (NOK)	4	5		-----	2	91261-MB0-005	1292150
32	OIL SEAL, 60x80x8 (ARAI)	4	5		-----	1	91265-MB0-003	1292168
33	O-RING, 30.8MM	4	5		-----	1	91302-001-020	0001065
34	O-RING, 22x1.9 (ARAI)	4	5		-----	1	91355-MB0-003	1251578
	O-RING, 22x1.9 (NOK)	4	5		-----	1	91355-MB0-005	1251586
35	O-RING, 35.2x2.4 (NOK)	4	5		-----	1	91356-MB0-005	1285410
36	O-RING, 58.5x3.5	4	5		-----	1	91353-MB0-003	1263839
	O-RING, 58.5x3.5	4	5		-----	1	91359-MB0-000	1251636
37	BOLT, HEX., 6x12	4	5		-----	1	92000-06012	0054197
	BOLT, HEX., 6x12	4	5		-----	1	92101-06012	2738821
	BOLT, HEX., 6x12	4	5		-----	1	92101-06012-0A	3591500
38	WASHER, PLAIN, 6MM	4	5		-----	1	94101-06800	0345900

# FUEL TANK • FUEL VALVE



F14MB0E15

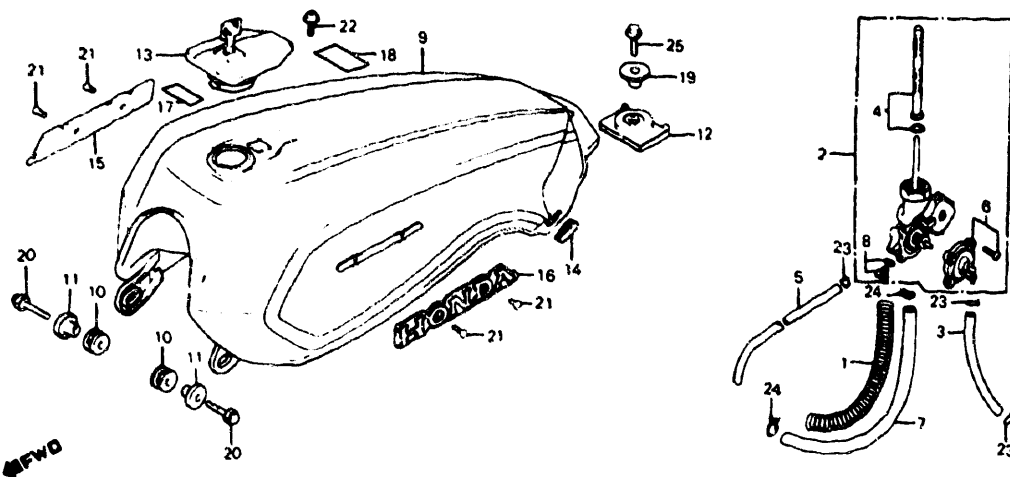
"CAUTION OR WARNING LABELS MUST BE ORDERED SEPARATELY WHEN APPLICABLE"

Ref. No.	BLOCK NO. DESCRIPTION	VF700S		AREA CODE	FRAME SERIAL NUMBER	QTY REQ	PART NUMBER	HONDA CODE
		84	85					
	4 = VF700S'84 5 = VF700S'85							
1	SPRING, FUEL TUBE COVER	4	5		-----	1	16715-MB0-950	1793173
2	VALVE ASSY., FUEL	4			-----	1	16950-MB0-701	1515188
			5	A	FM102422	1	16950-MB0-701	1515188
			5	AC	FM100183	1	16950-MB0-701	1515188
	VALVE ASSY., FUEL	4	5		-----	1	16950-MB0-023	2087278
			5	A	FM102422	1	16950-MB0-023	2087278
			5	AC	FM100183	1	16950-MB0-023	2087278
	VALVE ASSY., FUEL	4	5		-----	1	16950-MB0-702	2094514
			5	A	FM102422	1	16950-MB0-702	2094514
			5	AC	FM100183	1	16950-MB0-702	2094514
	VALVE ASSY., FUEL	4	5		-----	1	16950-MB0-703	2138949
			5	A	FM102422	1	16950-MB0-703	2138949
			5	AC	FM100183	1	16950-MB0-703	2138949
3	TUBE, VACUUM	4	5		-----	1	16952-MB0-000	1244284
4	SCREEN SET, FUEL STRAINER	4	5		-----	1	16952-461-771	0952549
5	TUBE, AIR VENT, 3.5x130	4	5		-----	1	16953-MB0-000	1244292
6	COVER SET, VALVE	4			-----	1	16953-449-751	0962415
			5	A	FM102422	1	16953-449-751	0962415
			5	AC	FM100183	1	16953-449-751	0962415

# CONTENTS

TITLE	PAGE	GRID
TACHOMETER	56	E2
AIR CLEANER	97	F10
BATTERY	95	F9
BRAKE CALIPER, FR	76	E12
BRAKE MASTER, FR	61	E4
BRAKE PANEL, RR	80	F2
BRAKE PEDAL	102	G1
CABLES	59	E3
CANISTER (AC)	132	H4
CLUTCH MASTER CYLINDER	64	E6
CONTROL LEVER	59	E3
CYLINDER	61	E4
ELECTRIC PARTS	117	G8
FENDER, FR	70	E9
FENDER, RR	112	G6
FINAL DRIVEN GEAR	84	F4
FRAME	123	G11
FUEL TANK	87	F5
FUEL VALVE	87	F5
HANDLEBAR	66	E7
HEADLIGHT	54	E1
HORN	68	E8
MUFFLER	100	F12
RADIATOR	120	G10
SEAT	90	F7
SHIFT PEDAL	102	G1
SHOCK ABSORBER	110	G5
SHOCK ABSORBER, FR	71	E9
SIDE COVER	92	F8
SPARK UNIT	112	G6
SPEEDOMETER	56	E2
STAND	106	G3
STEERING STEM	68	E8
STEP	104	G2
STRIPE	128	H2
SWINGARM	108	G4
SWITCHES	59	E3
TAILLIGHT	116	G8
TOOLS	126	H1
TOP BRIDGE	66	E7
TURN SIGNAL	114	G7
WHEEL, FR	78	F1
WHEEL, RR	82	F3
WIRE HARNESS	117	G8

# FUEL TANK • FUEL VALVE



"CAUTION OR WARNING LABELS MUST BE ORDERED SEPARATELY WHEN APPLICABLE"

F14MB0E15

Ref. No.	BLOCK NO. DESCRIPTION	VF700S		AREA CODE	FRAME SERIAL NUMBER		QTY REQ	PART NUMBER	HONDA CODE
		4	5		FROM	TO			
	4 = VF700S'84 5 = VF700S'85	V	V	A					
		8	8	C					
		4	5	E					
6	COVER SET, VALVE	4	5				1	16953-ME5-005	1669290
		--	5	A		FM102422	1	16953-ME5-005	1669290
		--	5	AC		FM100183	1	16953-ME5-005	1669290
7	TUBE, FUEL, 7.3X170	4	5				1	16955-MB0-701	1724558
8	BOLT, HOLDING	4	5				1	16975-MB0-003	1781202
9	TANK SET, FUEL *NH1* (TYPE1) (BLACK)	4	--	A			1	175A1-MB0-950ZA	1781269
	TANK SET, FUEL *NH1* (TYPE2) (BLACK)	4	--	A			1	175A1-MB0-950ZB	1781277
	TANK SET, FUEL *NH1* (TYPE1) (BLACK)	4	--	AC			1	175A1-MB0-960ZA	1781285
	TANK SET, FUEL *NH1* (TYPE2) (BLACK)	4	--	AC			1	175A1-MB0-960ZB	1781293
	TANK COMP., FUEL *NH1* (TYPE1) (BLACK)	--	5	A			1	175A1-MB0-910ZA	1876507
	TANK COMP., FUEL *NH1* (TYPE2) (BLACK)	--	5	A			1	175A1-MB0-910ZB	1876515
	TANK COMP., FUEL *NH1* (TYPE1) (BLACK)	--	5	AC			1	175A1-MB0-920ZA	1876523

Ref. No.	BLOCK NO. DESCRIPTION	VF700S		AREA CODE	FRAME SERIAL NUMBER		QTY REQ	PART NUMBER	HONDA CODE
		4	5		FROM	TO			
	4 = VF700S'84 5 = VF700S'85	V	V	A					
		8	8	C					
		4	5	E					
9	TANK COMP., FUEL *NH1* (TYPE2) (BLACK)	--	5	AC			1	175A1-MB0-920ZB	1876531
10	RUBBER, FUEL TANK FR.	4	5				2	17611-MB1-000	1245059
11	COLLAR, FUEL TANK FR. MOUNTING	4	5				2	17612-MB0-700	1316546
12	RUBBER, FUEL TANK RR.	4	5				1	17613-461-000	0909648
13	CAP COMP., FUEL FILLER	4	5	A			1	17620-MB0-951	1781368
	CAP COMP., FUEL FILLER	4	5	A			1	17620-MB0-952	2795466
	CAP COMP., FUEL FILLER	4	5	AC			1	17620-MB0-961	1781376
14	GROMMET, SIDE COVER (B)	4	5				2	83602-MB0-000	1250463
15	EMBLEM, R. FUEL TANK *TYPE1*(GOLD)	4	--				1	87121-MB0-000	1250570
	EMBLEM, R. FUEL TANK *TYPE2*(SILVER)	--	5				1	87121-MB0-910ZA	1877273
	EMBLEM, R. FUEL TANK *TYPE2*(SILVER)	--	5				1	87121-MB0-910ZB	1877281
16	EMBLEM, L. FUEL TANK (TYPE1)(GOLD)	4	--				1	87122-MB0-000	1250588
	EMBLEM, L. FUEL TANK (TYPE2)(SILVER)	--	5				1	87122-MB0-910ZA	1877299
	EMBLEM, L. FUEL TANK (TYPE2)(SILVER)	--	5				1	87122-MB0-910ZB	1877307
17	LABEL, FR. FORK CAUTION	4	5				1	87517-MB0-770	1316934
	LABEL, FR. FORK CAUTION	4	5				1	87517-MB0-770ZC	1406503
18	LABEL, DRIVE CAUTION *NH1* (BLACK)	4	5				1	87560-181-760ZD	1223437
19	COLLAR, FUEL TANK SETTING	4	5				1	90324-MB0-700	1310598
20	BOLT, CAP, 6X20	4	5				2	92600-06020-0G	1316991
21	SCREW, OVAL, 3X6	4	5				4	93700-03006-0G	0242099
22	SCREW-WASHER, 4X8	4	5				2	93892-04008-08	0634618
23	CLIP, TUBE, B7	4	5				3	95002-02070	0250639
24	CLIP, TUBE, B12	4	5				2	95002-02120	0335034
25	BOLT, FLANGE, 8X22	4	5				1	95700-08022-00	0637090
	BOLT, FLANGE, 8X22	4	5				1	95701-08022-00	2652626

# CONTENTS

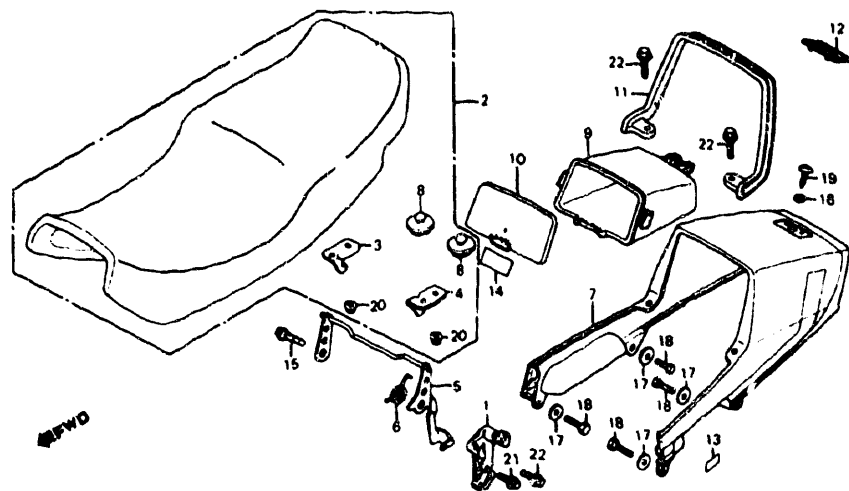
TITLE	PAGE	GRID
TACHOMETER	56	E2
AIR CLEANER	97	F10
BATTERY	95	F9
BRAKE CALIPER, FR	76	E12
BRAKE MASTER, FR	61	E4
BRAKE PANEL, RR	80	F2
BRAKE PEDAL	102	G1
CABLES	59	E3
CANISTER (AC)	132	H4
CLUTCH MASTER CYLINDER	64	E6
CONTROL LEVER	59	E3
CYLINDER	61	E4
ELECTRIC PARTS	117	GB
FENDER, FR	70	E9
FENDER, RR	112	G6
FINAL DRIVEN GEAR	84	F4
FRAME	123	G11
FUEL TANK	87	F5
FUEL VALVE	87	F5
HANDLEBAR	66	E7
HEADLIGHT	54	E1
HORN	68	E8
MUFFLER	100	F12
RADIATOR	120	G10
SEAT	90	F7
SHIFT PEDAL	102	G1
SHOCK ABSORBER	110	G5
SHOCK ABSORBER, FR	71	E9
SIDE COVER	92	F8
SPARK UNIT	112	G6
SPEEDOMETER	56	E2
STAND	106	G3
STEERING STEM	68	E8
STEP	104	G2
STRIPE	128	H2
SWINGARM	108	G4
SWITCHES	59	E3
TAILLIGHT	116	G8
TOOLS	126	H1
TOP BRIDGE	66	E7
TURN SIGNAL	114	G7
WHEEL, FR	78	F1
WHEEL, RR	82	F3
WIRE HARNESS	117	G8

VF700S'84 ENGINE NO.; RC22E-2000008 TO 2005978  
 VF700S'84 FRAME NO.; RC220-EM000007 TO EM005012  
 VF700S'84 ENGINE NO.; RC22E-2002575 TO 2006097  
 VF700S'84 FRAME NO.; RC221-EM000006 TO EM001081

VF700S'85 ENGINE NO.; RC22E-2100001 TO 2103668  
 VF700S'85 FRAME NO.; RC220-FM100001 TO FM102800  
 VF700S'85 ENGINE NO.; RC22E-2100001 TO 2103285  
 VF700S'85 FRAME NO.; RC221-FM100001 TO FM100863



# SEAT



"CAUTION OR WARNING LABELS MUST BE ORDERED SEPARATELY WHEN APPLICABLE"

F14MB0E16

Ref. No.	BLOCK NO. DESCRIPTION	VF700S		AREA CODE	FRAME SERIAL NUMBER		QTY REQ	PART NUMBER	HONDA CODE
		4	5		FROM	TO			
4 = VF700S'84 5 = VF700S'85									
1	HOLDER, HELMET .....	4	5				1	50710-MB0-700	1309202
2	SEAT ASSY. ....	4	--				1	77100-MB0-950	1782374
	SEAT ASSY. ....	--	5				1	77100-MB0-910	1877083
3	PLATE, R. SEAT LOCK .....	4	5				1	77102-MB0-000	1265230
4	PLATE, L. SEAT LOCK .....	4	5				1	77103-MB0-000	1265248
5	BAR, SEAT LOCK .....	4	5				1	77150-MB0-000	1250141
6	SPRING, SEAT LOCK .....	4	5				1	77151-MB0-700	1310358
7	COWL SET, RR. *NH1* (TYPE1) (BLACK) .....	4	--				1	772A0-MB0-950ZA	1782382
	COWL SET, RR. *NH1* (TYPE2) (BLACK) .....	4	--				1	772A0-MB0-950ZB	1782390
	COWL SET, RR. *NH1* (TYPE1) (BLACK) .....	--	5				1	772A0-MB0-910ZA	1877091
	COWL SET, RR. *NH1* (TYPE2) (BLACK) .....	--	5				1	772A0-MB0-910ZB	1877109
8	RUBBER, SEAT STOPPER .....	4	5				2	77211-MB0-000	1250182
9	CASE, RR. COWL .....	4	5				1	77240-MB0-000	1250190

Ref. No.	BLOCK NO. DESCRIPTION	VF700S		AREA CODE	FRAME SERIAL NUMBER		QTY REQ	PART NUMBER	HONDA CODE
		4	5		FROM	TO			
4 = VF700S'84 5 = VF700S'85									
10	LID, RR. COWL CASE .....	4	5				1	77241-MB0-000	1250208
11	RAIL, RR. GRAB .....	4	5				1	77310-MB0-950	1782440
12	EMBLEM, RR. COWL .....	4	--				1	87129-MB0-670	1250620
	EMBLEM, RR. COWL *TYPE1* (GOLD) ..	--	5				1	87129-MB0-910ZA	1877331
	EMBLEM, RR. COWL *TYPE2* (SILVER)	--	5				1	87129-MB0-910ZB	1877349
13	LABEL, HELMET HOLDER .....	4	5				1	87511-323-670	0274811
14	MARK, ACCESSORIES & LOADING CAUTION .....	4	5				1	87512-MA4-670	0952184
15	BOLT, FLANGE, 8X15 .....	4	5				1	90186-MB0-000	1251222
16	WASHER, SPECIAL .....	4	5				1	90431-MB0-000	1251362
17	WASHER, 6MM .....	4	5				4	90506-634-000	0954016
18	BOLT, HEX., 6X16 .....	4	5				4	92000-06016-0H	0623801
	BOLT, HEX., 6X16 .....	4	5				4	92100-06016-0H	2234896
19	SCREW, TAPPING, 6X12 .....	4	5				1	93903-36120	1237379
20	NUT, FLANGE, 6MM .....	4	5				4	94050-06080	0612689
21	BOLT, FLANGE, 6X20 .....	4	5				1	95700-06020-08	0340331
	BOLT, FLANGE, 6X20 .....	4	5				1	95701-06020-08	2374759
22	BOLT, FLANGE, 8X25 .....	4	5				3	95700-08025-08	0371997
	BOLT, FLANGE, 8X25 .....	4	5				3	95700-08025-18	1251909
	BOLT, FLANGE, 8X25 .....	4	5				3	95701-08025-08	2563252

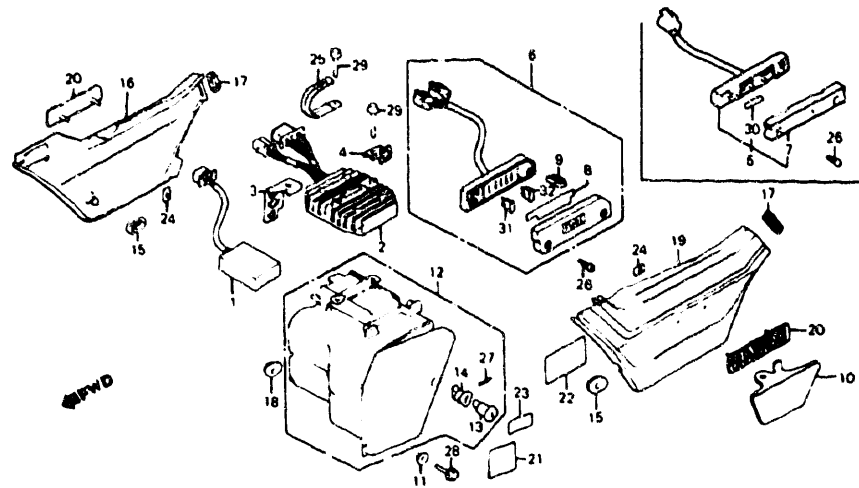
# CONTENTS

TITLE	PAGE	GRID
TACHOMETER	56	E2
AIR CLEANER	87	F10
BATTERY	95	F9
BRAKE CALIPER FR	76	E12
BRAKE MASTER FR	61	E4
BRAKE PANEL RR	80	F2
BRAKE PEDAL	102	G1
CABLES	59	E3
CANISTER (AC)	132	H4
CLUTCH MASTER CYLINDER	64	E6
CONTROL LEVER	59	E3
CYLINDER	61	E4
ELECTRIC PARTS	117	G8
FENDER FR	70	E9
FENDER RR	112	G6
FINAL DRIVEN GEAR	84	F4
FRAME	123	G11
FUEL TANK	87	F5
FUEL VALVE	87	F5
HANDLEBAR	66	E7
HEADLIGHT	54	E1
HORN	68	E8
MUFFLER	100	F12
RADIATOR	120	G10
SEAT	90	F7
SHIFT PEDAL	102	G1
SHOCK ABSORBER	110	G5
SHOCK ABSORBER FR	71	E9
SIDE COVER	92	F8
SPARK UNIT	112	G6
SPEEDOMETER	56	E2
STAND	106	G3
STEERING STEM	68	E8
STEP	104	G2
STRIPE	128	H2
SWINGARM	108	G4
SWITCHES	59	E3
TAILLIGHT	116	G8
TOOLS	126	H1
TOP BRIDGE	66	E7
TURN SIGNAL	114	G7
WHEEL FR	78	F1
WHEEL RR	82	F3
WIRE HARNESS	117	G8

VF700S'84 ENGINE NO.; RC22E-2000008 TO 2005978  
 VF700S'84 FRAME NO.; RC220-EM000007 TO EM005012  
 VF700S'84 ENGINE NO.; RC22E-2002575 TO 2006097  
 VF700S'84 FRAME NO.; RC221-EM000006 TO EM001081

VF700S'85 ENGINE NO.; RC22E-2100001 TO 2103668  
 VF700S'85 FRAME NO.; RC220-FM100001 TO FM102800  
 VF700S'85 ENGINE NO.; RC22E-2100001 TO 2103285  
 VF700S'85 FRAME NO.; RC221-FM100001 TO FM100863

# SIDE COVER



"CAUTION OR WARNING LABELS MUST BE ORDERED SEPARATELY WHEN APPLICABLE"

F14MBOE17

Ref No.	BLOCK NO. F-17 DESCRIPTION	VF700S		AREA CODE	FRAME SERIAL NUMBER		QTY REQ	PART NUMBER	HONDA CODE
		4	5		FROM	TO			
4 = VF700S'84 5 = VF700S'85		V	F	A					
		7	0	R					
		0	0	C					
		0	0	O					
		8	8	D					
		4	5	E					
1	SPARK UNIT	--	5				1	30400-MB1-871	1724020
2	RECTIFIER ASSY., REGULATE	4	5				1	31600-MB0-008	1246164
3	CLAMP, RECTIFIER WIRE	4	5				1	31605-MB0-700	1515196
4	PLATE, COUPLER HOLDER	--	5				1	31606-MB0-910	1881895
5	BOX ASSY., FUSE (DAIICHI)	4	--				1	38200-MB0-005	1247295
6	BOX ASSY., FUSE	--	5				1	38200-MB0-911	1881903
7	COVER, FUSE BOX	4	--				1	38202-MB0-000	1247311
8	LABEL, FUSE	--	5				1	38215-MB0-910	1908631
9	PULLER, FUSE (DAIICHI)	--	5				1	38235-SA5-004	1131143
10	PLATE, L. SIDE	4	5				1	53613-MB0-000	1782275
11	COLLAR, FR. FENDER	4	5				1	61105-MA3-000	1252519
12	BOX ASSY., TOOL	4	5				1	83500-MB0-000	1250356
13	BODY, KEY	4	5				1	83507-422-000	1223171
14	STOPPER, KEY BODY	4	5				1	83508-KBG-000	3776358
	STOPPER, KEY BODY	4	5				1	83508-438-000	0769190
15	GROMMET, AIR CLEANER CASE	4	5				2	83551-300-000	0204990

Ref No.	BLOCK NO. F-17 DESCRIPTION	VF700S		AREA CODE	FRAME SERIAL NUMBER		QTY REQ	PART NUMBER	HONDA CODE
		4	5		FROM	TO			
4 = VF700S'84 5 = VF700S'85		V	F	A					
		7	0	R					
		0	0	C					
		0	0	O					
		8	8	D					
		4	5	E					
16	COVER SET, R. SIDE *NH1* (TYPE1) (BLACK)	4	--				1	836A0-MB0-950ZA	1782465
	COVER SET, R. SIDE *NH1* (TYPE2) (BLACK)	4	--				1	836A0-MB0-950ZB	1782473
	COVER SET, R. SIDE *NH1* (TYPE1) (BLACK)	--	5				1	836A0-MB0-910ZA	1877182
	COVER SET, R. SIDE *NH1* (TYPE2) (BLACK)	--	5				1	836A0-MB0-910ZB	1877190
17	GROMMET A, SIDE COVER	4	5				2	83601-MB0-000	1250455
18	RUBBER B, BATTERY TRAY MOUNT	4	5				1	83615-303-000	0111831
19	COVER SET, L. SIDE *NH1* (TYPE1) (BLACK)	4	--				1	837A0-MB0-950ZA	1782523
	COVER SET, L. SIDE *NH1* (TYPE2) (BLACK)	4	--				1	837A0-MB0-950ZB	1782531
	COVER SET, L. SIDE *NH1* (TYPE1) (BLACK)	--	5				1	837A0-MB0-910ZA	1877240
	COVER SET, L. SIDE *NH1* (TYPE2) (BLACK)	--	5				1	837A0-MB0-910ZB	1877257
20	EMBLEM, SIDE COVER (SABRE)	4	--				2	87127-MB0-000	1782564
	EMBLEM, SIDE COVER *TYPE1*(GOLD)	4	5				2	87127-MB0-910ZA	1877315
	EMBLEM, SIDE COVER *TYPE2*(SILVER)	--	5				2	87127-MB0-910ZB	1877323
21	DIAGRAM, VACUUM HOSE ROUTING	4	--	AC			1	87135-MB0-960	1799113
22	MARK, RADIATOR CAUTION	4	5				1	87508-415-670	0670471
23	LABEL, RR. CUSHION CAUTION	4	5				1	87518-MB0-770	1316942
24	NUT, SPEED, 3MM	4	5				4	90315-504-000	0527341
25	CLAMP	4	5				1	91403-663-000	1251669
26	SCREW, PAN, 4X6	4	5				2	93500-04006-0H	0285627
	SCREW, PAN, 4X6	4	5				2	93500-04006-1H	0753962
27	PIN, SPRING, 2X14	4	5				1	94305-20141	076920E
28	BOLT, FLANGE, 6X10	4	5				1	95700-06010-08	0344952
	BOLT, FLANGE, 6X10	4	5				1	95701-06010-08	2204709
29	BOLT, FLANGE, 6X35	4	5				2	95700-06035-08	0498238
	BOLT, FLANGE, 6X35	4	5				2	95701-06035-08	2170801
30	FUSE B (15A)	4	--				5	98200-21500	0252387

# CONTENTS

TITLE	PAGE	GRID
TACHOMETER	56	E2
AIR CLEANER	97	F10
BATTERY	95	F9
BRAKE CALIPER FR	76	E12
BRAKE MASTER FR	61	E4
BRAKE PANEL RR	80	F2
BRAKE PEDAL	102	G1
CABLES	59	E3
CANISTER (AC)	132	H4
CLUTCH MASTER CYLINDER	64	E6
CONTROL LEVER	59	E3
CYLINDER	61	E4
ELECTRIC PARTS	117	G8
FENDER FR	70	E9
FENDER RR	112	G6
FINAL DRIVEN GEAR	84	F4
FRAME	123	G11
FUEL TANK	87	F5
FUEL VALVE	87	F5
HANDLEBAR	66	E7
HEADLIGHT	54	E1
HORN	68	E8
MUFFLER	100	F12
RADIATOR	120	G10
SEAT	90	F7
SHIFT PEDAL	102	G1
SHOCK ABSORBER	110	G5
SHOCK ABSORBER FR	71	E9
SIDE COVER	92	F8
SPARK UNIT	112	G6
SPEEDOMETER	56	E2
STAND	106	G3
STEERING STEM	68	E8
STEP	104	G2
STRIPE	128	H2
SWINGARM	108	G4
SWITCHES	59	E3
TAILLIGHT	116	G8
TOOLS	126	H1
TOP BRIDGE	66	E7
TURN SIGNAL	114	G7
WHEEL FR	78	F1
WHEEL RR	82	F3
WIRE HARNESS	117	G8

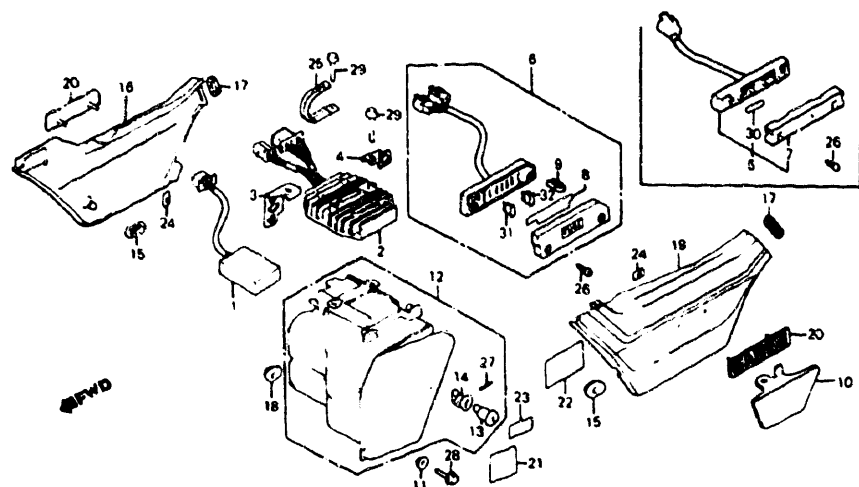
GRID

F8

VF700S'84 ENGINE NO.; RC22E-2000008 TO 2005978  
 VF700S'84 FRAME NO.; RC220-EM000007 TO EM005012  
 VF700S'84 ENGINE NO.; RC22E-2002575 TO 2006097  
 VF700S'84 FRAME NO.; RC221-EM000006 TO EM001081

VF700S'85 ENGINE NO.; RC22E-2100001 TO 2103668  
 VF700S'85 FRAME NO.; RC220-FM100001 TO FM102800  
 VF700S'85 ENGINE NO.; RC22E-2100001 TO 2103285  
 VF700S'85 FRAME NO.; RC221-FM100001 TO FM100863

# SIDE COVER

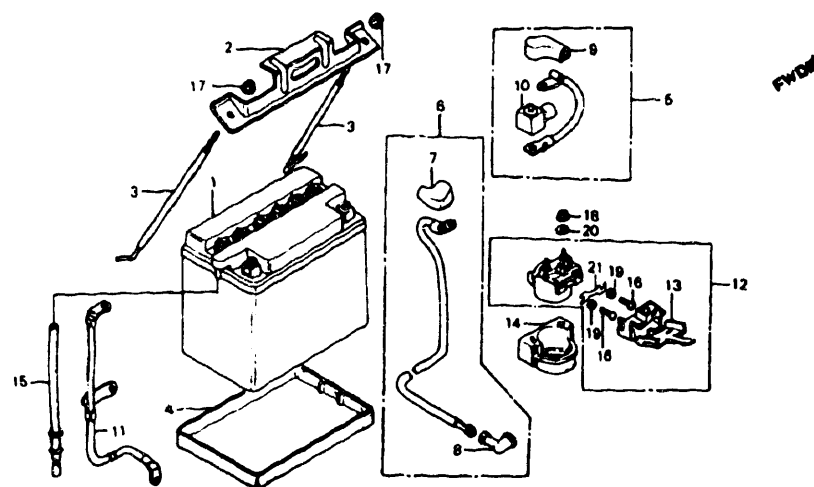


"CAUTION OR WARNING LABELS MUST BE ORDERED SEPARATELY WHEN APPLICABLE"

F14MB0E17

Ref. No.	BLOCK NO. DESCRIPTION	VF700S		AREA CODE	FRAME SERIAL NUMBER		QTY REQ	PART NUMBER	HONDA CODE
		4	5		FROM	TO			
	4 = VF700S'84 5 = VF700S'85								
	31 FUSE, BLADE (10A) .....	--	5		-----	-----	7	98200-31000	1644228
	32 FUSE, BLADE (15A) .....	--	5		-----	-----	2	98200-31500	1644244

# BATTERY



F14MB0E18

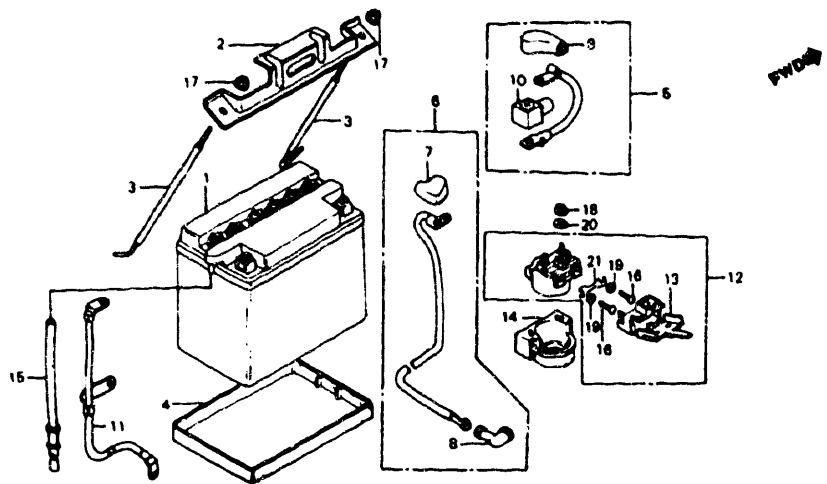
Ref. No.	BLOCK NO. DESCRIPTION	VF700S		AREA CODE	FRAME SERIAL NUMBER		QTY REQ	PART NUMBER	HONDA CODE
		4	5		FROM	TO			
	4 = VF700S'84 5 = VF700S'85								
	1 BATTERY ASSY. (YUASA) .....	4	5		-----	-----	1	31500-415-601	0905455
	BATTERY ASSY. (YUASA) .....	4	5		-----	-----	1	31500-415-671	0668244
	BATTERY ASSY. (YUASA) .....	4	5		-----	-----	1	31500-425-671	0742981
	BATTERY ASSY. (YUASA) .....	4	5		-----	-----	1	31500-425-677	1550631
	BATTERY (12V14) .....	4	5		-----	-----	1	31500-461-771	1053990
	BATTERY (12V14) .....	4	5		-----	-----	1	31500-461-772	1288521
	2 PLATE, BATTERY SETTING .....	4	5		-----	-----	1	31512-MB0-000	1246131
	3 BOLT, BATTERY SETTING .....	4	5		-----	-----	2	31513-MB0-000	1246149
	4 RUBBER, BATTERY .....	4	5		-----	-----	1	31521-MB0-000	1246156
	5 CABLE, BATTERY STARTER .....	4	5		-----	-----	1	32401-MB0-000	1246222
	6 CABLE, STARTER MOTOR .....	4	5		-----	-----	1	32402-MB0-700	1781731
	7 COVER, MAGNETIC SWITCH TERMINAL ..	4	5		-----	-----	1	32411-MB0-000	1275734
	8 COVER, STARTING MOTOR TERMINAL ..	4	5		-----	-----	1	32411-230-000	0208652
	COVER, STARTING MOTOR TERMINAL ..	4	5		-----	-----	1	32411-253-000	0177360
	9 COVER, MAGNETIC SWITCH TERMINAL ..	4	5		-----	-----	1	32411-MB0-000	1275734
	COVER, MAGNETIC SWITCH TERMINAL ..	4	5		-----	-----	1	32412-MB0-000	1246263

# CONTENTS

TITLE	PAGE	GRID
TACHOMETER	56	E2
AIR CLEANER	97	F10
BATTERY	95	F9
BRAKE CALIPER, FR	76	E12
BRAKE MASTER, FR	61	E4
BRAKE PANEL, RR	80	F2
BRAKE PEDAL	102	G1
CABLES	59	E3
CANISTER (AC)	132	H4
CLUTCH MASTER CYLINDER	64	E6
CONTROL LEVER	59	E3
CYLINDER	61	E4
ELECTRIC PARTS	117	G8
FENDER, FR	70	E9
FENDER, RR	112	G6
FINAL DRIVEN GEAR	84	F4
FRAME	123	G11
FUEL TANK	87	F5
FUEL VALVE	87	F5
HANDLEBAR	66	E7
HEADLIGHT	54	E1
HORN	68	E8
MUFFLER	100	F12
RADIATOR	120	G10
SEAT	90	F7
SHIFT PEDAL	102	G1
SHOCK ABSORBER	110	G5
SHOCK ABSORBER, FR	71	E9
SIDE COVER	92	F8
SPARK UNIT	112	G6
SPEEDOMETER	56	E2
STAND	106	G3
STEERING STEM	66	E8
STEP	104	G2
STRIPE	128	H2
SWINGARM	108	G4
SWITCHES	59	E3
TAILLIGHT	116	G8
TOOLS	126	H1
TOP BRIDGE	66	E7
TURN SIGNAL	114	G7
WHEEL, FR	78	F1
WHEEL, RR	82	F3
WIRE HARNESS	117	G8

AMERICAN HONDA MOTOR CO., LTD 1993 95

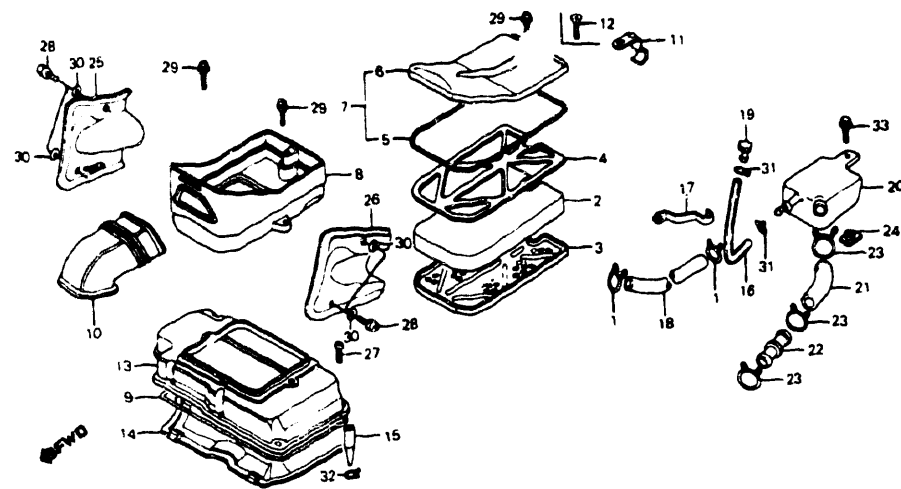
# BATTERY



F14MBOE18

Ref. No.	BLOCK NO. DESCRIPTION	VF700S		AREA CODE	FRAME SERIAL NUMBER		QTY REQ	PART NUMBER	HONDA CODE
		4	5		FROM	TO			
	4 = VF700S'84 5 = VF700S'85								
10	COVER B, TERMINAL	4	5				1	32414-MB0-000	1246271
11	CABLE, BATTERY GROUND	4	5				1	32601-MB0-700	1316611
12	SWITCH ASSY., STARTER MAGNETIC	4	5				1	35850-MB0-007	1246958
13	COVER, FUSE	4	5				1	35852-MB0-007	1246966
14	RUBBER, SHOCK	4	5				1	35856-MB0-007	1246974
15	TUBE, BATTERY	4	5				1	50328-MB0-000	1248657
16	SCREW, PAN, 4X6	4	5				2	93500-04006-0H	0285627
	SCREW, PAN, 4X6	4	5				2	93500-04006-1H	0753962
17	NUT, FLANGE, 5MM	4	5				2	94050-05080	0612671
18	NUT, FLANGE, 6MM	4	5				2	94050-06000	0471623
19	WASHER, SPRING, 4MM	4	5				2	94111-04800	0346114
20	WASHER, SPRING, 6MM	4	5				2	94111-06800	0258210
21	FUSE F (30A)	4	5				2	98200-53000	0412676

# AIR CLEANER



F14MBOE18

Ref. No.	BLOCK NO. DESCRIPTION	VF700S		AREA CODE	FRAME SERIAL NUMBER		QTY REQ	PART NUMBER	HONDA CODE
		4	5		FROM	TO			
	4 = VF700S'84 5 = VF700S'85								
1	CLIP, BREATHER TUBE	4	5				2	15772-551-000	0501353
	CLIP, BREATHER TUBE	4	5				2	15772-551-680	0531087
2	ELEMENT, AIR CLEANER	4	5				1	17210-MB0-700	1307776
3	PLATE A, ELEMENT SETTING	4	5				1	17211-MB0-701	1781210
	PLATE A, ELEMENT SETTING	4	5				1	17211-MB0-702	3743523
4	PLATE B, ELEMENT SETTING	4	5				1	17212-MB0-700	1307800
5	GASKET, AIR CLEANER COVER	4	5				1	17219-MB0-000	1244466
6	COVER, AIR CLEANER CASE	4	5				1	17220-MB0-700	1307826
	COVER, AIR CLEANER CASE	4	5	A		FM102232	1	17220-MB0-700	1307826
	COVER, AIR CLEANER CASE	4	5	A		FM102232	1	17220-MB0-701	2271427
	COVER, AIR CLEANER CASE	4	5	AC		FM102233	1	17220-MB0-701	2271427
7	COVER, AIR CLEANER CASE	4	5				1	17220-MB0-890	2398436
	COVER, AIR CLEANER CASE	4	5				1	17220-MB0-890	2398436
8	CASE, AIR CLEANER	4	5				1	17230-MB0-701	1781228
9	GASKET, AIR CLEANER COVER	4	5				1	17222-MN4-405	2941573
	SEAL, AIR CLEANER BASE	4	5				1	17232-MB1-000	1244607
10	DUCT, AIR CLEANER IN.	4	5				1	17234-MB0-770	1431899

# CONTENTS

TITLE	PAGE	GRID
TACHOMETER	56	E2
AIR CLEANER	97	F10
BATTERY	95	F9
BRAKE CALIPER, FR.	76	E12
BRAKE MASTER, FR.	61	E4
BRAKE PANEL, RR.	80	F2
BRAKE PEDAL	102	G1
CABLES	59	E3
CANISTER (AC)	132	H4
CLUTCH MASTER CYLINDER	64	E6
CONTROL LEVER	59	E3
CYLINDER	61	E4
ELECTRIC PARTS	117	G8
FENDER, FR.	70	E9
FENDER, RR.	112	G6
FINAL DRIVEN GEAR	84	F4
FRAME	123	G11
FUEL TANK	87	F5
FUEL VALVE	87	F
HANDLEBAR	66	E7
HEADLIGHT	54	E1
HORN	68	E8
MUFFLER	100	F12
RADIATOR	120	G10
SEAT	90	F7
SHIFT PEDAL	102	G1
SHOCK ABSORBER	110	G5
SHOCK ABSORBER, FR.	71	E9
SIDE COVER	92	F8
SPARK UNIT	112	G6
SPEEDOMETER	56	E2
STAND	106	G3
STEERING STEM	68	E8
STEP	104	G2
STRIPE	128	H2
SWINGARM	108	G4
SWITCHES	59	E3
TAILLIGHT	116	G8
TOOLS	126	H1
TOP BRIDGE	66	E7
TURN SIGNAL	114	G7
WHEEL, FR.	78	F1
WHEEL, RR.	82	F3
WIRE HARNESS	117	G8

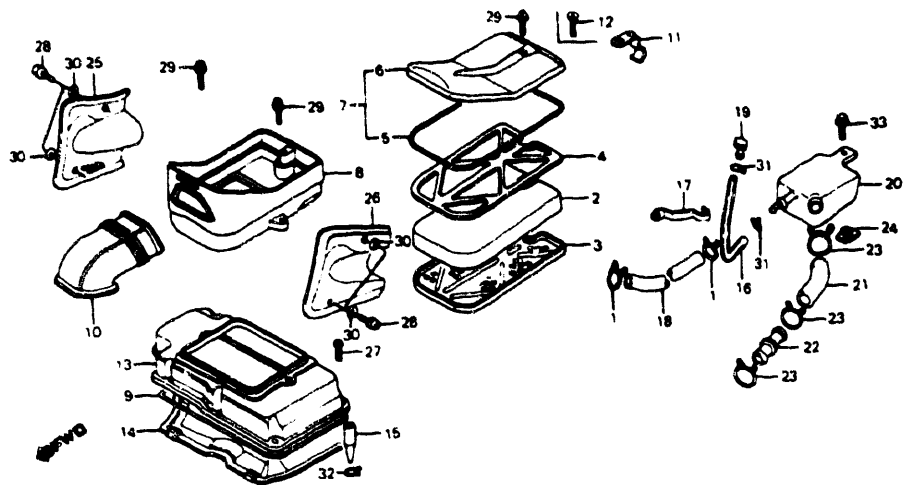
GRID

F10

VF700S'84 ENGINE NO.; RC22E-2000008 TO 2005978  
 VF700S'84 FRAME NO.; RC220-EM000007 TO EM005012  
 VF700S'84 ENGINE NO.; RC22E-2002575 TO 2006097  
 VF700S'84 FRAME NO.; RC221-EM000006 TO EM001081

VF700S'85 ENGINE NO.; RC22E-2100001 TO 2103668  
 VF700S'85 FRAME NO.; RC220-FM100001 TO FM102800  
 VF700S'85 ENGINE NO.; RC22E-2100001 TO 2103285  
 VF700S'85 FRAME NO.; RC221-FM100001 TO FM100863

# AIR CLEANER



F14MB0E19

Ref. No.	BLOCK NO.	F-19	VF700S		AREA CODE	FRAME SERIAL NUMBER		QTY REQ	PART NUMBER	HONDA CODE
			84	85		FROM	TO			
4	VF700S'84									
5	VF700S'85									
11	CLAMP, TUBE VENT		5	5	A	FM102233	-----	1	17241-MB0-890	2398444
			5	5	AC	-----	-----	1	17241-MB0-890	2398444
12	SCREW, FLAT, 6X18.		5	5	A	FM102233	-----	1	17242-MB0-890	2398451
			5	5	AC	-----	-----	1	17242-MB0-890	2398451
13	COVER, AIR CLEANER BASE		4	5		-----	-----	1	17250-MB0-505	3684347
	COVER, AIR CLEANER BASE		4	5		-----	-----	1	17250-MB0-700	1307893
14	NET COMP., AIR CLEANER BASE		4	5		-----	-----	1	17252-MB1-700	1548445
15	TUBE, AIR CLEANER		4	5		-----	-----	1	17259-MB1-000	1260249
16	TUBE, BREATHER DRAIN		4	5		-----	-----	1	17356-MB0-000	1244763
17	CLAMP, DRAIN TUBE		4	5		-----	-----	1	17357-MB0-000	1244771
18	TUBE, AIR CLEANER BREATHER		4	5		-----	-----	1	17358-MB0-000	1244789
19	PLUG, BREATHER TUBE		4	5		-----	-----	1	17370-419-700	0669002
20	TANK, STORAGE		4	5		-----	-----	1	17551-MB0-000	1244979
21	TUBE B, BREATHER		4	5		-----	-----	1	17552-MB0-000	1244995
22	JOINT, BREATHER		4	5		-----	-----	1	17553-MB0-000	1245018
23	CLIP, BREATHER TUBE		4	5		-----	-----	3	17554-MB0-000	1260264

VF700S'84 ENGINE NO.; RC22E-2000008 TO 2005978  
 VF700S'84 FRAME NO.; RC220-EM000007 TO EM005012  
 VF700S'84 ENGINE NO.; RC22E-2002575 TO 2006097  
 VF700S'84 FRAME NO.; RC221-EM000006 TO EM001081

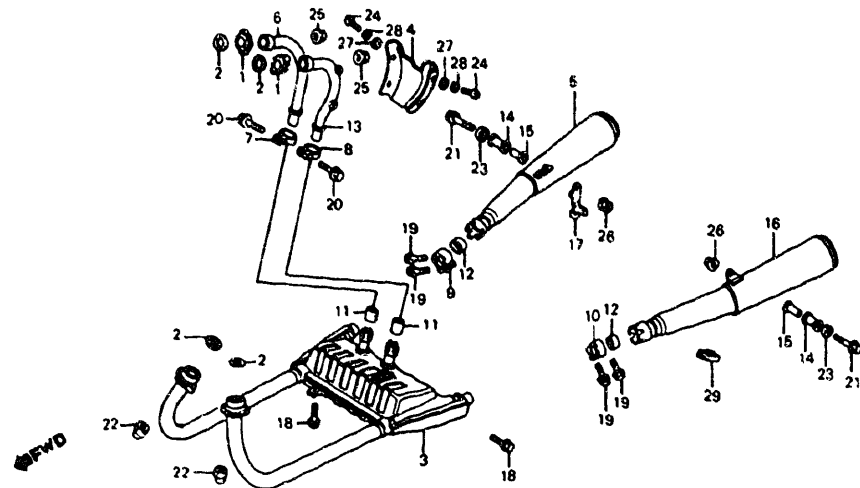
VF700S'85 ENGINE NO.; RC22E-2100001 TO 2103668  
 VF700S'85 FRAME NO.; RC220-FM100001 TO FM102800  
 VF700S'85 ENGINE NO.; RC22E-2100001 TO 2103285  
 VF700S'85 FRAME NO.; RC221-FM100001 TO FM100863

Ref. No.	BLOCK NO.	F-19	VF700S		AREA CODE	FRAME SERIAL NUMBER		QTY REQ	PART NUMBER	HONDA CODE
			84	85		FROM	TO			
4	VF700S'84									
5	VF700S'85									
24	NUT, SPECIAL, 6X7		4	5		-----	-----	1	61304-958-003	0955575
25	COVER, R. FR. SIDE		4	5		-----	-----	1	61402-MB0-700	1316918
26	COVER, L. FR. SIDE		4	5		-----	-----	1	61403-MB0-700	1316926
27	SCREW, PAN, 4X15		4	5		-----	-----	6	90141-MB0-000	1251024
28	SCREW-WASHER, 5X12		4	5		-----	-----	4	93892-05012-07	0751040
29	SCREW-WASHER, 6X20		4	5		-----	-----	3	93893-06020-08	0737874
			5	5	A	-----	FM102232	3	93893-06020-08	0737874
			5	5	A	FM102233	-----	2	93893-06020-08	0737874
			5	5	AC	-----	-----	2	93893-06020-08	0737874
30	WASHER, PLAIN, 5MM		4	5		-----	-----	4	94103-05700	0692491
31	CLAMP, TUBE (D12)		4	5		-----	-----	2	95002-41200-08	1390988
32	CLIP, TUBE, C12		4	5		-----	-----	1	95002-80000	0073700
33	BOLT, FLANGE, 6X10		4	5		-----	-----	1	95700-06010-08	0344952
	BOLT, FLANGE, 6X10		4	5		-----	-----	1	95701-06010-08	2204709

# CONTENTS

TITLE	PAGE	GRID
TACHOMETER	56	E2
AIR CLEANER	97	F10
BATTERY	95	F9
BRAKE CALIPER, FR	76	E12
BRAKE MASTER, FR	61	E4
BRAKE PANEL, RR	80	F2
BRAKE PEDAL	102	G1
CABLES	59	E3
CANISTER (AC)	132	H4
CLUTCH MASTER CYLINDER	64	E6
CONTROL LEVER	59	E3
CYLINDER	61	E4
ELECTRIC PARTS	117	G8
FENDER, FR	70	E9
FENDER, RR	112	G6
FINAL DRIVEN GEAR	84	F4
FRAME	123	G11
FUEL TANK	87	F5
FUEL VALVE	87	F5
HANDLEBAR	66	E7
HEADLIGHT	54	E1
HORN	68	E8
MUFFLER	100	F12
RADIATOR	120	G10
SEAT	90	F7
SHIFT PEDAL	102	G1
SHOCK ABSORBER	110	G5
SHOCK ABSORBER, FR	71	E9
SIDE COVER	92	F8
SPARK UNIT	112	G6
SPEEDOMETER	56	E2
STAND	106	G3
STEERING STEM	68	E8
STEP	104	G2
STRIPE	128	H2
SWINGARM	108	G4
SWITCHES	59	E3
TAILLIGHT	116	G8
TOOLS	126	H1
TOP BRIDGE	66	E7
TURN SIGNAL	114	G7
WHEEL, FR	78	F1
WHEEL, RR	82	F3
WIRE HARNESS	117	G8

# MUFFLER



F14MBOE20

4 = VF700S'84  
5 = VF700S'85

Ref. No.	BLOCK NO. DESCRIPTION	VF700S		AREA CODE	FRAME SERIAL NUMBER		QTY REQ	PART NUMBER	HONDA CODE
		84	85		FROM	TO			
	13 PIPE, L. RR. EX. ....	4	5		-----	-----	1	18420-MB0-890	4081360
	14 RUBBER, MUFFLER MOUNTING ....	4	5		-----	-----	2	18421-MB0-000	1245299
	15 COLLAR, MUFFLER MOUNTING ....	4	5		-----	-----	2	18422-MB0-000	1245307
	16 MUFFLER COMP., L. ....	4	5		-----	-----	1	18430-MB0-950	1781467
	17 GUIDE, DRAIN PIPE ....	4	5		-----	-----	1	50527-MB0-000	1248798
	18 BOLT, FLANGE, 6X20 ....	4	5		-----	-----	2	90003-MB2-000	1846799
	19 BOLT, FLANGE, 8X37 ....	4	5		-----	-----	4	90118-MB4-000	1425826
	20 BOLT, FLANGE, 8X37 ....	4	5		-----	-----	2	90118-471-000	1057215
	21 BOLT, SPECIAL FLANGE, 8X45 ....	4	5		-----	-----	2	90158-MB1-000	1260777
	22 NUT, CAP, 6MM ....	4	5		-----	-----	4	90304-438-000	0765693
	23 WASHER, SPECIAL, 8MM ....	4	5		-----	-----	2	90557-MB0-000	1251388
	24 SCREW, PAN, 6X8 ....	4	5		-----	-----	4	93500-06008-4J	1391010
	25 NUT, FLANGE, 6MM ....	4	5		-----	-----	4	94050-06000	0471623
	26 NUT, FLANGE, 8MM ....	4	5		-----	-----	2	94050-08000	0481143
	27 WASHER, PLAIN, 6MM ....	4	5		-----	-----	4	94101-06700	0294231
	28 WASHER, SPRING, 6MM ....	4	5		-----	-----	4	94111-06700	0294249
	29 RUBBER A, STAND STOPPER ....	4	5		-----	-----	1	95011-61000	0255638

Ref. No.	BLOCK NO. DESCRIPTION	VF700S		AREA CODE	FRAME SERIAL NUMBER		QTY REQ	PART NUMBER	HONDA CODE
		84	85		FROM	TO			
	1 JOINT, EX. PIPE ....	4	5		-----	-----	2	18231-MB0-000	1245174
	2 GASKET A, EX. PIPE ....	4	5		-----	-----	4	18291-216-000	0028241
	3 CHAMBER COMP., EX. ....	4	---		-----	-----	1	18300-MB0-951	1963248
	CHAMBER COMP., EX. ....	4	---		-----	-----	1	18300-MB0-952	2025021
	CHAMBER COMP., EX. ....	4	5		-----	-----	1	18300-MB0-953	2027480
	4 PROTECTOR, RR. EX. PIPE ....	4	5		-----	-----	1	18316-MB0-950	1781426
	5 MUFFLER COMP., R. ....	4	5		-----	-----	1	18330-MB0-950	1781434
	6 PIPE, R. RR. EX. ....	4	5		-----	-----	1	18370-MB0-003	1245232
	7 BAND, R. EX. ....	4	5		-----	-----	1	18373-MB0-003	1245240
	8 BAND, L. EX. PIPE ....	4	5		-----	-----	1	18374-MB0-003	1245257
	9 BAND, R. MUFFLER ....	4	5		-----	-----	1	18376-MB0-950	1781442
	10 BAND, L. MUFFLER ....	4	5		-----	-----	1	18377-MB0-950	1781459
	11 GASKET, MUFFLER ....	4	5		-----	-----	2	18391-313-000	0210666
	12 GASKET, MUFFLER ....	4	5		-----	-----	2	18391-317-000	0219170
	GASKET, MUFFLER ....	4	5		-----	-----	2	18391-317-010	3211349
	13 PIPE, L. RR. EX. ....	4	5		-----	-----	1	18420-MB0-003	1245281

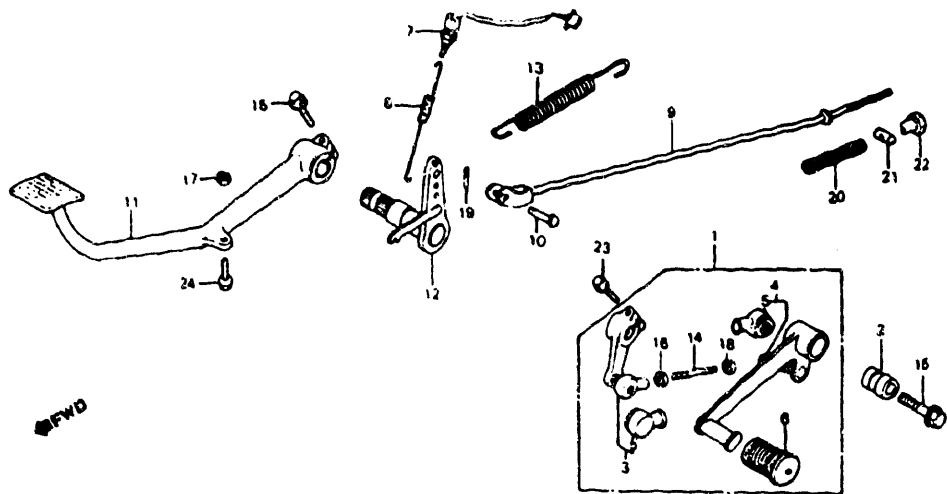
VF700S'84 ENGINE NO.; RC22E-2000008 TO 2005978  
 VF700S'84 FRAME NO.; RC220-EM000007 TO EM005012  
 VF700S'84 ENGINE NO.; RC22E-2002575 TO 2006097  
 VF700S'84 FRAME NO.; RC221-EM000006 TO EM001081

VF700S'85 ENGINE NO.; RC22E-2100001 TO 2103668  
 VF700S'85 FRAME NO.; RC220-FM100001 TO FM102800  
 VF700S'85 ENGINE NO.; RC22E-2100001 TO 2103285  
 VF700S'85 FRAME NO.; RC221-FM100001 TO FM100863

# CONTENTS

TITLE	PAGE	GRID
TACHOMETER	56	E2
AIR CLEANER	97	F10
BATTERY	95	F9
BRAKE CALIPER, FR.	76	E12
BRAKE MASTER, FR.	61	E4
BRAKE PANEL, RR.	80	F2
BRAKE PEDAL	102	G1
CABLES	59	E3
CANISTER (AC)	132	H4
CLUTCH MASTER CYLINDER	64	E6
CONTROL LEVER	59	E3
CYLINDER	61	E4
ELECTRIC PARTS	117	G8
FENDER, FR.	70	E9
FENDER, RR.	112	G6
FINAL DRIVEN GEAR	84	F4
FRAME	123	G11
FUEL TANK	87	F5
FUEL VALVE	87	F5
HANDLEBAR	66	E7
HEADLIGHT	54	E1
HORN	68	E8
MUFFLER	100	F12
RADIATOR	120	G10
SEAT	90	F7
SHIFT PEDAL	102	G1
SHOCK ABSORBER	110	G5
SHOCK ABSORBER, FR.	71	E9
SIDE COVER	92	F8
SPARK UNIT	112	G6
SPEEDOMETER	56	E2
STAND	106	G3
STEERING STEM	68	E8
STEP	104	G2
STRIPES	128	H2
SWINGARM	108	G4
SWITCHES	59	E3
TAILLIGHT	116	G8
TOOLS	126	H1
TOP BRIDGE	66	E7
TURN SIGNAL	114	G7
WHEEL, FR.	78	F1
WHEEL, RR.	82	F3
WIRE HARNESS	117	G8

# BRAKE PEDAL • SHIFT PEDAL



F14MB0E21

Ref. No.	BLOCK NO. DESCRIPTION	V F 7 0 0 S	V F 7 0 0 S	A R E A C O D E	FRAME SERIAL NUMBER		Q T Y R E Q	PART NUMBER	HONDA CODE
					FROM	TO			
	4 = VF700S'84 5 = VF700S'85								
1	PEDAL ASSY., GEARSHIFT .....	4	5		-----	-----	1	24700-MB0-700	1308212
2	COLLAR, GEAR CHANGE PEDAL PIVOT ..	4	5		-----	-----	1	24705-MB0-000	1245869
	COLLAR, GEARSHIFT PEDAL PIVOT ...	4	5		-----	-----	1	24705-MT6-000	3038601
3	ARM COMP., GEARSHIFT .....	4	5		-----	-----	1	24710-MB0-700	1308220
4	PEDAL COMP., GEARSHIFT .....	4	5		-----	-----	1	24720-MB0-000	1245885
5	COVER, DUST .....	4	5		-----	-----	2	24724-422-000	0694869
6	RUBBER, GEARSHIFT PEDAL .....	4	5		-----	-----	1	24781-419-000	0494377
7	SWITCH ASSY., RR. STOP .....	4	5		-----	-----	1	35350-MB0-000	1246867
	SWITCH ASSY., RR. STOP .....	4	5		-----	-----	1	35350-ME9-405	3822384
	SWITCH ASSY., RR. STOP .....	4	5		-----	-----	1	35350-ME9-770	1562305
8	SPRING, STOP SWITCH .....	4	5		-----	-----	1	35357-425-610	0820746
9	ROD, RR. BRAKE .....	4	5		-----	-----	1	43451-MB0-950	1782028
10	PIN B, JOINT .....	4	5		-----	-----	1	43452-KB4-000	1185529
11	PEDAL COMP., RR. BRAKE .....	4	5		-----	-----	1	46500-MB0-000	1248400
12	SPINDLE COMP., RR. BRAKE .....	4	5		-----	-----	1	46510-MB0-700	1309129
13	SPRING, BRAKE PEDAL .....	4	5		-----	-----	1	46514-MB0-000	1248442

Ref. No.	BLOCK NO. DESCRIPTION	V F 7 0 0 S	V F 7 0 0 S	A R E A C O D E	FRAME SERIAL NUMBER		Q T Y R E Q	PART NUMBER	HONDA CODE
					FROM	TO			
	4 = VF700S'84 5 = VF700S'85								
14	BOLT, TIE ROD .....	4	5		-----	-----	1	90065-MB0-000	1250802
15	BOLT, SPECIAL FLANGE, 8X28 .....	4	5		-----	-----	2	90103-MB0-000	1250869
16	NUT, GOVERNOR ARM FIXING .....	4	5		-----	-----	1	90201-700-000	0401398
17	NUT, HEX., 6MM .....	4	5		-----	-----	1	94002-06000-0S	0181032
18	NUT, HEX., 6MM .....	4	5		-----	-----	1	94002-06020-0S	1237387
19	PIN, SPLIT, 1.6X12 .....	4	5		-----	-----	1	94201-16120	0251736
20	SPRING A, BRAKE ROD .....	4	5		-----	-----	1	95014-73100	0271056
21	JOINT B, BRAKE ARM .....	4	5		-----	-----	1	95015-32001	0400945
22	NUT B, BRAKE ROD ADJUSTING .....	4	5		-----	-----	1	95015-42000	0257766
23	BOLT, FLANGE, 6X20 .....	4	5		-----	-----	1	95700-06020-00	0488684
	BOLT, FLANGE, 6X20 .....	4	5		-----	-----	1	95701-06020-00	2105815
24	BOLT, FLANGE, 6X16 .....	4	5		-----	-----	1	96000-06016-00	1113687
	BOLT, FLANGE, 6X16 .....	4	5		-----	-----	1	96001-06016-00	2105955

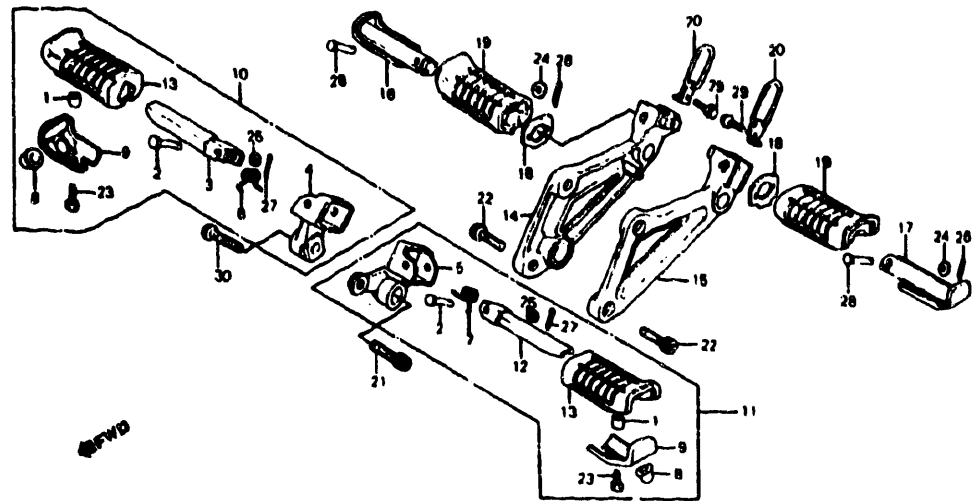
# CONTENTS

TITLE	PAGE	GRID
TACHOMETER	56	E2
AIR CLEANER	97	F10
BATTERY	95	F9
BRAKE CALIPER, FR	76	E12
BRAKE MASTER, FR	61	E4
BRAKE PANEL, RR	80	F2
BRAKE PEDAL	102	G1
CABLES	59	E3
CANISTER (AC)	132	H4
CLUTCH MASTER CYLINDER	64	E6
CONTROL LEVER	59	E3
CYLINDER	61	E4
ELECTRIC PARTS	117	G8
FENDER, FR	70	E9
FENDER, RR	112	G6
FINAL DRIVEN GEAR	84	F4
FRAME	123	G11
FUEL TANK	87	F5
FUEL VALVE	87	F5
HANDLEBAR	66	E7
HEADLIGHT	54	E1
HORN	68	E8
MUFFLER	100	F12
RADIATOR	120	G10
SEAT	90	F7
SHIFT PEDAL	102	G1
SHOCK ABSORBER	110	G5
SHOCK ABSORBER, FR	71	E9
SIDE COVER	92	F8
SPARK UNIT	112	G6
SPEEDOMETER	56	E2
STAND	106	G3
STEERING STEM	68	E8
STEP	104	G2
STRIPE	128	H2
SWINGARM	108	G4
SWITCHES	59	E3
TAILLIGHT	116	G8
TOOLS	126	H1
TOP BRIDGE	66	E7
TURN SIGNAL	114	G7
WHEEL, FR	78	F1
WHEEL, RR	82	F3
WIRE HARNESS	117	G8

VF700S'84 ENGINE NO.; RC22E-2000008 TO 2005978  
 VF700S'84 FRAME NO.; RC220-EM000007 TO EM005012  
 VF700S'84 ENGINE NO.; RC22E-2002575 TO 2006097  
 VF700S'84 FRAME NO.; RC221-EM000006 TO EM001081

VF700S'85 ENGINE NO.; RC22E-2100001 TO 2103668  
 VF700S'85 FRAME NO.; RC220-FM100001 TO FM102800  
 VF700S'85 ENGINE NO.; RC22E-2100001 TO 2103285  
 VF700S'85 FRAME NO.; RC221-FM100001 TO FM100863

**STEP**



F14MBOE22

Ref. No.	BLOCK NO.	F-22	VF700S		AREA CODE	FRAME SERIAL NUMBER		QTY REQ	PART NUMBER	HONDA CODE
			84	85		FROM	TO			
4 = VF700S'84 5 = VF700S'85										
1			4	5				2	40515-413-000	0827626
2			4	5				2	50603-033-000	0019349
3			4	5				1	50612-MB0-000	1248848
4			4	5				1	50613-MB0-700	1309186
5			4	5				1	50614-MB0-700	1309194
6			4	5				1	50616-MB0-000	1248897
7			4	5				1	50617-195-000	1248913
8			4	5				2	50618-MB1-000	1248939
9			4	5				2	50619-MB0-000	1248947
10			4	5				1	50630-MB0-700	1312859
11			4	5				1	50640-MB0-700	1312867
12			4	5				1	50642-MB0-000	1249002
13			4	5				2	50661-MB0-000	1249036
14			4	5				1	50680-MB0-000	1249051
15			4	5				1	50690-MB0-000	1249077
16			4	5				1	50711-MB0-000	1249119

VF700S'84 ENGINE NO.; RC22E-2000008 TO 2005978  
 VF700S'84 FRAME NO.; RC220-EM000007 TO EM005012  
 VF700S'84 ENGINE NO.; RC22E-2002575 TO 2006097  
 VF700S'84 FRAME NO.; RC221-EM000006 TO EM001081

VF700S'85 ENGINE NO.; RC22E-2100001 TO 2103668  
 VF700S'85 FRAME NO.; RC220-FM100001 TO FM102800  
 VF700S'85 ENGINE NO.; RC22E-2100001 TO 2103285  
 VF700S'85 FRAME NO.; RC221-FM100001 TO FM100863

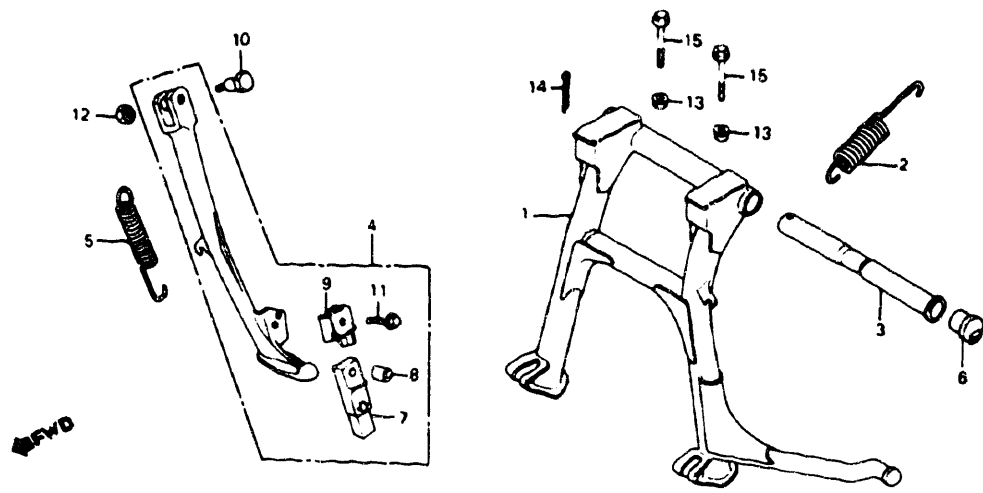
Ref. No.	BLOCK NO.	F-22	VF700S		AREA CODE	FRAME SERIAL NUMBER		QTY REQ	PART NUMBER	HONDA CODE
			84	85		FROM	TO			
4 = VF700S'84 5 = VF700S'85										
17			4	5				1	50712-MB0-000	1249135
18			4	5				2	50714-MB0-000	1249168
19			4	5				2	50715-MB0-000	1249184
20			4	5				2	50740-MB0-000	1249192
21			4	5				1	90107-MB0-000	1250935
22			4	5				4	90109-MB0-000	1250950
23			4	5				2	92000-06016-0A	0313197
			4	5				2	92100-06016-0A	1685726
			4	5				2	92101-06016-0A	2479590
24			4	5				2	94101-06000	0059071
			4	5				2	94101-06080	3136074
			4	5				2	94101-06800	0345900
25			4	5				2	94102-08000	0199596
26			4	5				2	94201-16100	0262089
27			4	5				2	94201-16150	0058313
			4	5				2	94201-16250	0058339
28			4	5				2	95015-83000	0274118
29			4	5				2	95700-08016-00	0631242
			4	5				2	95701-08016-00	2298396
30			4	5				1	95700-10020-07	1311422

**CONTENTS**

TITLE	PAGE	GRID
TACHOMETER	56	E2
AIR CLEANER	97	F10
BATTERY	95	F9
BRAKE CALIPER, FR.	76	E12
BRAKE MASTER, FR.	61	E4
BRAKE PANEL, FR.	80	F2
BRAKE PEDAL	102	G1
CABLES	59	E3
CANISTER (AC)	132	H4
CLUTCH MASTER CYLINDER	64	E6
CONTROL LEVER	59	E3
CYLINDER	61	E4
ELECTRIC PARTS	117	G8
FENDER, FR.	70	E9
FENDER, RR.	112	G6
FINAL DRIVEN GEAR	84	F4
FRAME	123	G11
FUEL TANK	87	F5
FUEL VALVE	87	F5
HANDLEBAR	66	E7
HEADLIGHT	54	E1
HORN	68	E8
MUFFLER	100	F12
RADIATOR	120	G10
SEAT	90	F7
SHIFT PEDAL	102	G1
SHOCK ABSORBER	110	G5
SHOCK ABSORBER, FR.	71	E9
SIDE COVER	92	F8
SPARK UNIT	112	G6
SPEEDOMETER	56	E2
STAND	106	G3
STEERING STEM	68	E8
STEP	104	G2
STRIPE	128	H2
SWINGARM	108	G4
SWITCHES	59	E3
TAILLIGHT	116	G8
TOOLS	126	H1
TOP BRIDGE	66	E7
TURN SIGNAL	114	G7
WHEEL, FR.	78	F1
WHEEL, RR.	82	F3
WIRE HARNESS	117	G8



# STAND



F14MBOE23

Ref. No.	BLOCK NO. F-23	DESCRIPTION	VF700S		AREA CODE	FRAME SERIAL NUMBER		QTY REQ	PART NUMBER	HONDA CODE
			84	85		FROM	TO			
4 = VF700S'84 5 = VF700S'85										
1		STAND COMP., MAIN	4	5				1	50500-MB0-000	1248756
2		SPRING, MAIN STAND	4	5				1	50522-MB0-000	1248772
3		PIPE, MAIN STAND PIVOT	4	5				1	50526-MB0-000	1248780
4		BAR ASSY., SIDE STAND	4	5				1	50540-MB0-000	1248806
		BAR ASSY., SIDE STAND	4	5				1	50540-MB0-010	1485085
5		SPRING, SIDE STAND	4	5				1	50541-MB0-000	1248822
6		STOPPER, SIDE STAND	4	5				1	50545-MB0-700	1312842
7		RUBBER, STAND	4	5				1	50548-356-700	0382648
8		COLLAR, STAND RUBBER SETTING	4	5				1	50549-356-700	0382655
9		BRACKET, SIDE STAND RUBBER	4	5				1	50574-MB0-000	1248830
10		BOLT, SIDE STAND PIVOT	4	5				1	90108-MB0-000	1250943
11		BOLT, SIDE STAND RUBBER SET	4	5				1	90115-MB0-000	1794056
12		NUT, HEX., 10MM	4	5				1	94002-10070-0S	0939827
13		NUT, FLANGE, 6MM	4	5				2	94050-06080	0612689
14		PIN, COTTER, 2.5MM	4	5				1	94201-25250	0145581
		PIN, COTTER, 2.5MM	4	5				1	94201-25300	0156091

VF700S'84 ENGINE NO.; RC22E-2000008 TO 2005978  
 VF700S'84 FRAME NO.; RC220-EM000007 TO EM005012  
 VF700S'84 ENGINE NO.; RC22E-2002575 TO 2006097  
 VF700S'84 FRAME NO.; RC221-EM000006 TO EM001081

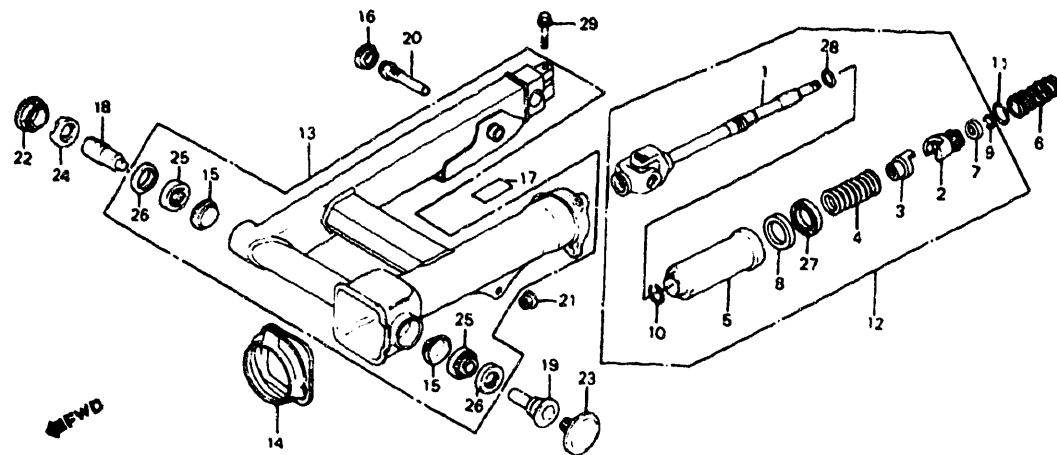
VF700S'85 ENGINE NO.; RC22E-2100001 TO 2103668  
 VF700S'85 FRAME NO.; RC220-FM100001 TO FM102800  
 VF700S'85 ENGINE NO.; RC22E-2100001 TO 2103285  
 VF700S'85 FRAME NO.; RC221-FM100001 TO FM100863

Ref. No.	BLOCK NO. F-23	DESCRIPTION	VF700S		AREA CODE	FRAME SERIAL NUMBER		QTY REQ	PART NUMBER	HONDA CODE
			84	85		FROM	TO			
4 = VF700S'84 5 = VF700S'85										
15		BOLT, FLANGE, 6X40	4	5				2	95700-06040-08	0252320
		BOLT, FLANGE, 6X40	4	5				2	95701-06040-08	2105872

# CONTENTS

TITLE	PAGE	GRID
TACHOMETER	56	E2
AIR CLEANER	97	F10
BATTERY	95	F9
BRAKE CALIPER, FR	76	E12
BRAKE MASTER, FR	61	E4
BRAKE PANEL, RR	80	F2
BRAKE PEDAL	102	G1
CABLES	59	E3
CANISTER (AC)	132	H4
CLUTCH MASTER CYLINDER	64	E6
CONTROL LEVER	59	E3
CYLINDER	61	E4
ELECTRIC PARTS	117	G8
FENDER, FR	70	E9
FENDER, RR	112	G6
FINAL DRIVEN GEAR	84	F4
FRAME	123	G11
FUEL TANK	87	F5
FUEL VALVE	87	F5
HANDLEBAR	66	E7
HEADLIGHT	54	E1
HORN	68	E8
MUFFLER	100	F12
RADIATOR	120	G10
SEAT	90	F7
SHIFT PEDAL	102	G1
SHOCK ABSORBER	110	G5
SHOCK ABSORBER, FR	71	E9
SIDE COVER	92	F8
SPARK UNIT	112	G6
SPEEDOMETER	56	E2
STAND	106	G3
STEERING STEM	68	E8
STEP	104	G2
STRIPE	128	H2
SWINGARM	108	G4
SWITCHES	59	E3
TAILLIGHT	116	G8
TOOLS	126	H1
TOP BRIDGE	66	E7
TURN SIGNAL	114	G7
WHEEL, FR	78	F1
WHEEL, RR	82	F3
WIRE HARNESS	117	G8

# SWINGARM



"CAUTION OR WARNING LABELS MUST BE ORDERED SEPARATELY WHEN APPLICABLE"

F14MB0E24

Ref. No.	BLOCK NO. DESCRIPTION	VF700S		AREA CODE	FRAME SERIAL NUMBER		QTY REQ	PART NUMBER	HONDA CODE
		8	5		FROM	TO			
	4 = VF700S'84 5 = VF700S'85								
1	JOINT COMP., YOKE	4	5				1	40200-MB0-023	1876846
2	CAM, DAMPER	4	5				1	40211-MB0-000	1247378
3	LIFTER, DAMPER	4	5				1	40212-MB0-000	1247386
4	SPRING, DAMPER CAM	4	5				1	40213-MB0-010	1316686
5	COVER, DAMPER	4	5				1	40214-MB0-010	1316694
6	SPRING, PROPELLER SHAFT	4	5				1	40215-MB0-003	1247410
7	STOPPER, SPRING	4	5				1	40216-MB0-000	1247428
8	GUIDE, OIL SEAL	4	5				1	40217-MB0-010	1316702
9	RING, SPRING STOPPER	4	5				1	40218-MB0-000	1247444
10	RING, DAMPER COVER	4	5				1	40219-MB0-000	1316710
11	RING, STOPPER	4	5				1	40221-MB0-000	1247451
12	SWINGARM ASSY., DRIVE	4	5				1	40250-MB0-020	1876853
13	SWINGARM ASSY., RR. *NH1* (BLACK)	4	--				1	52100-MB0-950ZA	1782192
	SWINGARM ASSY., RR. *NH1* (BLACK)	--	5				1	52100-MB0-910ZA	1877000

Ref. No.	BLOCK NO. DESCRIPTION	VF700S		AREA CODE	FRAME SERIAL NUMBER		QTY REQ	PART NUMBER	HONDA CODE
		8	5		FROM	TO			
	4 = VF700S'84 5 = VF700S'85								
14	BOOT, JOINT	4	5				1	52105-MB0-000	1249515
15	HOLDER, RR. SWINGARM GREASE	4	5				2	52112-MA1-300	1055201
16	CAP, SWINGARM SIDE	4	5				1	52120-MB0-000	1249523
17	LABEL, TIRE CAUTION	4	--				1	87505-MB0-670	1250638
	LABEL, TIRE CAUTION	--	5				1	87505-MB0-910	1877364
18	BOLT, R. RR. SWINGARM PIVOT	4	5				1	90121-MB0-000	1250992
19	BOLT, L. RR. SWINGARM PIVOT	4	5				1	90122-MB0-000	1251008
20	BOLT, PANEL STOPPER	4	5				1	90158-MB0-020	2391308
21	NUT, HEX., 10MM	4	5				3	90308-ME5-000	1372861
22	CAP, R. LOCK NUT	4	5				1	90312-MB0-700	1310580
23	CAP, L. LOCK NUT	4	5				1	90313-MB0-000	1251305
24	NUT, RR. SWINGARM PIVOT	4	5				1	90355-469-000	0875401
25	BEARING, 30203J	4	5				2	91066-MC7-004	1218528
26	DUST SEAL, 26X40X5	4	5				2	91268-463-003	0886309
27	OIL SEAL, 47X56X7	4	5				1	91271-MB0-000	1251511
	OIL SEAL, 47X56X7	4	5				1	91271-MB0-003	1251529
	OIL SEAL, 47X56X7	4	5				1	91271-MB0-004	1251537
	OIL SEAL, 47X56X7	4	5				1	91271-MB0-013	2648038
	OIL SEAL, 47X56X7	4	5				1	91271-MK3-003	2023844
28	O-RING, 19X1.9	4	5				1	91361-MB0-000	1442334
29	BOLT, FLANGE, 8X32	4	5				1	95700-08032-00	0637173
	BOLT, FLANGE, 8X32	4	5				1	95701-08032-00	2751725

# CONTENTS

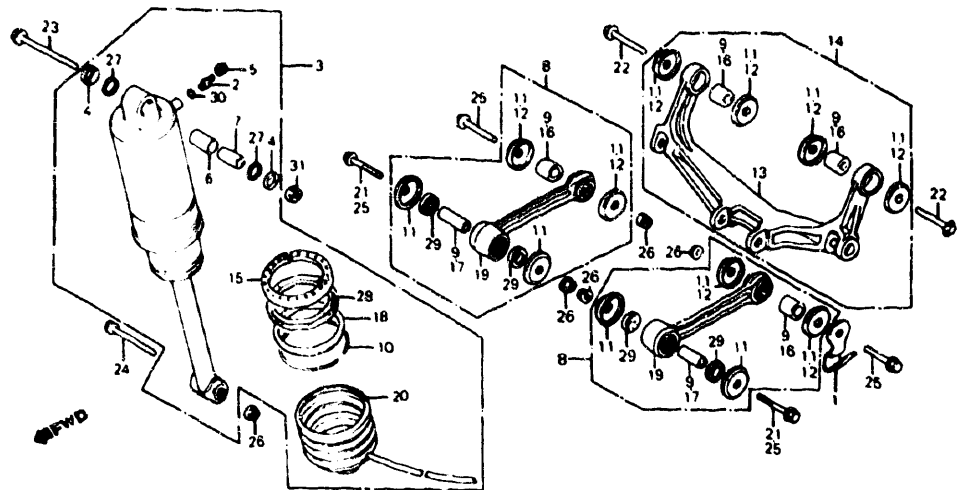
TITLE	PAGE	GRID
TACHOMETER	56	E2
AIR CLEANER	97	F10
BATTERY	95	F9
BRAKE CALIPER, FR	76	E12
BRAKE MASTER, FR	61	E4
BRAKE PANEL, FR	80	F2
BRAKE PEDAL	102	G1
CABLES	59	E3
CANISTER (AC)	132	H4
CLUTCH MASTER CYLINDER	64	E6
CONTROL LEVER	59	E3
CYLINDER	61	E4
ELECTRIC PARTS	117	G8
FENDER, FR	70	E9
FENDER, RR	112	G6
FINAL DRIVEN GEAR	84	F4
FRAME	123	G11
FUEL TANK	87	F5
FUEL VALVE	87	F5
HANDLEBAR	66	E7
HEADLIGHT	54	E1
HORN	68	E8
MUFFLER	100	F12
RADIATOR	120	G10
SEAT	90	F7
SHIFT PEDAL	102	G1
SHOCK ABSORBER	110	G5
SHOCK ABSORBER, FR	71	E9
SIDE COVER	92	F8
SPARK UNIT	112	G6
SPEEDOMETER	56	E2
STAND	106	G3
STEERING STEM	68	E8
STEP	104	G2
STRIPE	128	H2
SWINGARM	108	G4
SWITCHES	59	E3
TAILLIGHT	116	G8
TOOLS	126	H1
TOP BRIDGE	66	E7
TURN SIGNAL	114	G7
WHEEL, FR	78	F1
WHEEL, RR	82	F3
WIRE HARNESS	117	G8

GRID **G4**

VF700S'84 ENGINE NO.; RC22E-2000008 TO 2005978  
 VF700S'84 FRAME NO.; RC220-EM000007 TO EM005012  
 VF700S'84 ENGINE NO.; RC22E-2002575 TO 2006097  
 VF700S'84 FRAME NO.; RC221-EM000006 TO EM001081

VF700S'85 ENGINE NO.; RC22E-2100001 TO 2103668  
 VF700S'85 FRAME NO.; RC220-FM100001 TO FM102800  
 VF700S'85 ENGINE NO.; RC22E-2100001 TO 2103285  
 VF700S'85 FRAME NO.; RC221-FM100001 TO FM100863

# SHOCK ABSORBER



F14MB0E25

Ref. No.	BLOCK NO. F-25 DESCRIPTION	VF700S		AREA CODE	FRAME SERIAL NUMBER		QTY REQ	PART NUMBER	HONDA CODE
		4	5		FROM	TO			
4	VF700S'84								
5	VF700S'85								
1	CLIP, CLUTCH CABLE	4	5				1	45469-399-000	1179266
2	VALVE COMP., AIR (SHOWA)	4	5				1	51456-469-013	0950428
3	SHOCK ABSORBER ASSY., RR.	4					1	52400-MB0-951	1782200
	SHOCK ABSORBER ASSY., RR.		5				1	52400-MB0-911	1910470
4	CAP (SHOWA)	4	5				2	52406-MA1-731	1087741
5	CAP, AIR VALVE (SHOWA)	4	5				1	52425-169-003	1008853
6	METAL, BUSH	4	5				1	52452-MA1-731	1087766
7	COLLAR, BUSH	4	5				1	52453-MA2-771	1115369
8	ROD ASSY., SHOCK CONNECTING		5				2	52460-MB0-910	1877018
9	COLLAR, SHOCK ARM	4					6	52462-MB0-000	1249630
10	RING B, STOPPER	4	5				1	52463-MC7-013	1718337
11	SEAL, SHOCK ARM	4					12	52464-MB0-701	1746387
12	SEAL, SHOCK ARM		5				8	52464-MB0-911	1877026
13	ARM ASSY., SHOCK	4					1	52470-MB0-010	1534916
14	ARM ASSY., SHOCK		5				1	52470-MB0-910	1877034
15	CASE, GUIDE	4	5				1	52472-MC7-003	1209782

Ref. No.	BLOCK NO. F-25 DESCRIPTION	VF700S		AREA CODE	FRAME SERIAL NUMBER		QTY REQ	PART NUMBER	HONDA CODE
		4	5		FROM	TO			
4	VF700S'84								
5	VF700S'85								
16	COLLAR, SHOCK ARM		5				4	52474-MB0-910	1877042
17	COLLAR, CONNECTING ROD		5				2	52475-MB0-910	1877059
18	RING, BACK UP	4	5				1	52477-MC7-013	1718345
19	ROD ASSY., TENSION	4					2	52485-MB0-305	2065951
20	BOOT COMP., RR. SHOCK	4	5				1	52611-MB0-003	1249721
21	BOLT, FLANGE, 10X62		5				2	90109-KE8-003	1768357
22	BOLT, FLANGE, 10X53	4	5				2	90154-MB0-000	1251131
23	BOLT, FLANGE, 10X190	4	5				1	90157-MB0-000	1251156
24	BOLT, FLANGE, 10X82	4	5				1	90159-MB0-000	1251180
25	BOLT, FLANGE, 10X48	4					4	90163-MB0-000	1251198
			5				2	90163-MB0-000	1251198
26	NUT, AXLE, 10MM	4	5				5	90304-GA6-003	1023969
27	DUST SEAL (SHOWA)	4	5				2	91254-MA1-731	1089572
28	OIL SEAL, 65X80X10.5	4	5				1	91257-MC7-003	1218536
29	DUST SEAL, CONNECTING ROD PIVOT		5				4	91262-MB2-005	1425289
30	O-RING, 5.8X1.9	4	5				1	91301-469-003	0874768
	O-RING, 5.8X1.9	4	5				1	91305-323-000	0258012
	O-RING, 5.6X1.9 (ARAI)	4	5				1	91318-ME5-003	1366574
31	NUT, FLANGE, 10MM	4					1	94050-10080	0623405
	NUT, AXLE, 10MM		5				1	90304-GA6-003	1023969

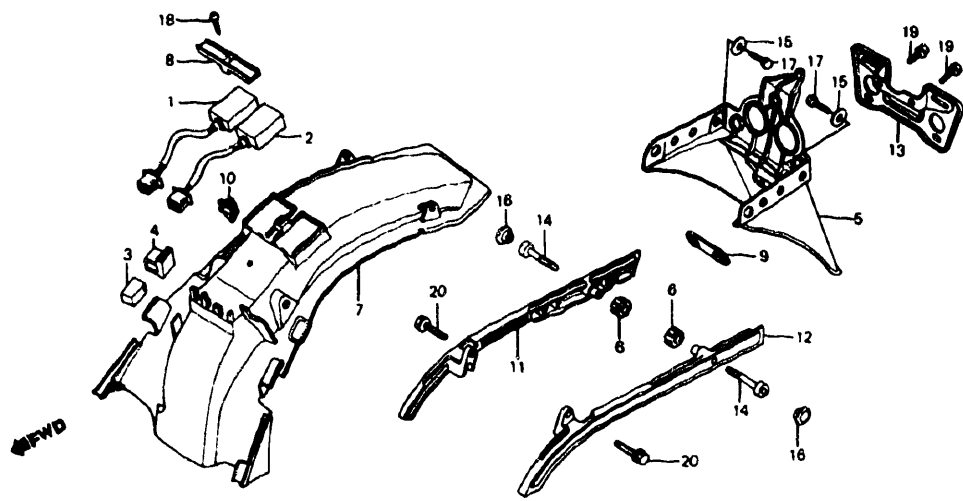
# CONTENTS

TITLE	PAGE	GRID
TACHOMETER	56	E2
AIR CLEANER	97	F10
BATTERY	95	F9
BRAKE CALIPER, FR	70	E12
BRAKE MASTER, FR	61	E4
BRAKE PANEL, RR	80	F2
BRAKE PEDAL	102	G1
CABLES	59	E3
CANISTER (AC)	132	H4
CLUTCH MASTER CYLINDER	64	E6
CONTROL LEVER	59	E3
CYLINDER	61	E4
ELECTRIC PARTS	117	G8
FENDER, FR	70	E9
FENDER, RR	112	G6
FINAL DRIVEN GEAR	84	F4
FRAME	123	G11
FUEL TANK	87	F5
FUEL VALVE	87	F5
HANDLEBAR	66	E7
HEADLIGHT	54	E1
HORN	62	E8
MUFFLER	100	F12
RADIATOR	120	G10
SEAT	90	F7
SHIFT PEDAL	102	G1
SHOCK ABSORBER	110	G5
SHOCK ABSORBER, FR	71	E9
SIDE COVER	92	F8
SPARK UNIT	112	G6
SPEEDOMETER	56	E2
STAND	106	G3
STEERING STEM	68	E8
STEP	104	G2
STRIPE	128	H2
SWINGARM	108	G4
SWITCHES	59	E3
TAILLIGHT	116	G8
TOOLS	126	H1
TOP BRIDGE	66	E7
TURN SIGNAL	114	G7
WHEEL, FR	78	F1
WHEEL, RR	82	F3
WIRE HARNESS	117	G8

VF700S'84 ENGINE NO.; RC22E-2000008 TO 2005978  
 VF700S'84 FRAME NO.; RC220-EM000007 TO EM005012  
 VF700S'84 ENGINE NO.; RC22E-2002575 TO 2006097  
 VF700S'84 FRAME NO.; RC221-EM000006 TO EM001081

VF700S'85 ENGINE NO.; RC22E-2100001 TO 2103668  
 VF700S'85 FRAME NO.; RC220-FM100001 TO FM102800  
 VF700S'85 ENGINE NO.; RC22E-2100001 TO 2103285  
 VF700S'85 FRAME NO.; RC221-FM100001 TO FM100863

# REAR FENDER • SPARK UNIT



F14MB0E26

Ref. No.	BLOCK NO. F-26	DESCRIPTION	VF700S		AREA CODE	FRAME SERIAL NUMBER		QTY REQ	PART NUMBER	HONDA CODE
			4	5		FROM	TO			
4 = VF700S'84 5 = VF700S'85										
1		SPARK UNIT	4	---		---	---	1	30400-MB1-871	1724020
2		SPARK UNIT	4	5		---	---	1	30410-MB1-871	1724046
3		RELAY COMP., TURN SIGNAL (TATEISHI)	4	5		---	---	1	38301-MF8-771	1591429
4		SUSPENSION, TURN SIGNAL RELAY	4	5		---	---	1	38306-KJ6-740	1514900
5		FENDER A, RR.	4	5		---	---	1	80100-MB0-000	1250265
6		SPACER, RR. FENDER	4	5		---	---	2	80101-MB0-000	1250281
7		FENDER B, RR.	4	5		---	---	1	80105-MB0-951	1877158
8		HOLDER, IGNITOR	4	5		---	---	1	80106-MB0-700	1310382
9		PLATE, RR. FENDER	4	5		---	---	1	80110-MB0-000	1250349
10		CLAMP, CABLE	4	5		---	---	1	80110-147-000	0465351
11		GRIP, R. SIDE	4	5		---	---	1	84110-MB0-890	3595998
		GRIP, R. SIDE	4	5		---	---	1	84110-MB0-950	1782549
12		GRIP, L. SIDE	4	5		---	---	1	84120-MB0-890	3600178
		GRIP, L. SIDE	4	5		---	---	1	84120-MB0-950	1782556
13		BRACKET, LICENSE PLATE	4	5		---	---	1	84701-MB0-670	1250554

VF700S'84 ENGINE NO.; RC22E-2000008 TO 2005978  
 VF700S'84 FRAME NO.; RC220-EMC00007 TO EM005012  
 VF700S'84 ENGINE NO.; RC22E-2002575 TO 2006097  
 VF700S'84 FRAME NO.; RC221-EM000006 TO EM001081

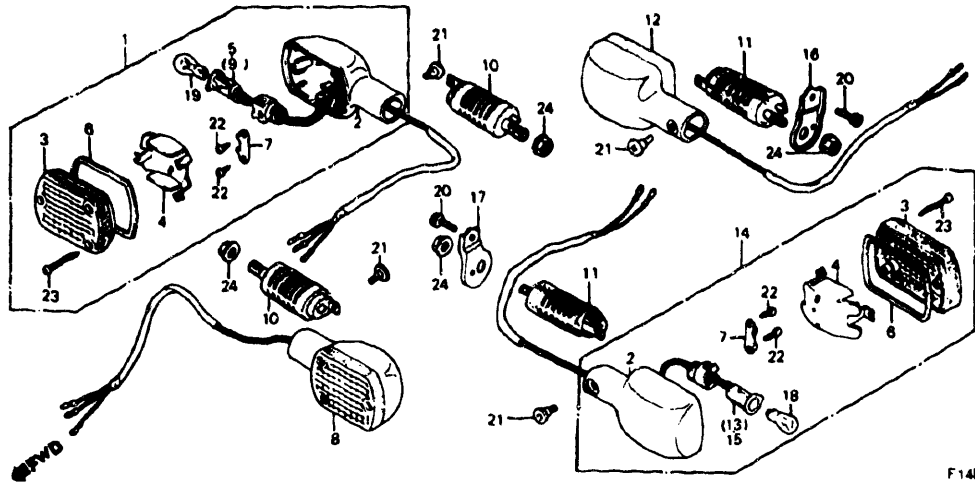
VF700S'85 ENGINE NO.; RC22E-2100001 TO 2103668  
 VF700S'85 FRAME NO.; RC220-FM100001 TO FM102800  
 VF700S'85 ENGINE NO.; RC22E-2100001 TO 2103285  
 VF700S'85 FRAME NO.; RC221-FM100001 TO FM100863

Ref. No.	BLOCK NO. F-26	DESCRIPTION	VF700S		AREA CODE	FRAME SERIAL NUMBER		QTY REQ	PART NUMBER	HONDA CODE
			4	5		FROM	TO			
4 = VF700S'84 5 = VF700S'85										
14		BOLT, HEX. SOCKET, 8X50	4	5		---	---	2	90187-MB0-000	1251230
15		WASHER, 6MM	4	5		---	---	2	90506-634-000	0954016
16		CAP, SOCKET BOLT, 8MM	4	5		---	---	2	91456-MB0-000	1263870
17		BOLT, HEX., 6X16	4	5		---	---	2	92000-06016-0H	0623801
		BOLT, HEX., 6X16	4	5		---	---	2	92100-06016-0H	2234896
18		SCREW, TAPPING, 4X12	4	5		---	---	1	93903-14320	1251800
19		BOLT, FLANGE, 6X10	4	5		---	---	2	95700-06010-08	0347952
		BOLT, FLANGE, 6X10	4	5		---	---	2	95701-06010-08	2204709
20		BOLT, FLANGE, 8X25	4	5		---	---	2	95700-08025-08	0371997
		BOLT, FLANGE, 8X25	4	5		---	---	2	95700-08025-18	1251909
		BOLT, FLANGE, 8X25	4	5		---	---	2	95701-08025-08	2563252

# CONTENTS

TITLE	PAGE	GRID
TACHOMETER	56	E2
AIR CLEANER	97	F10
BATTERY	95	F9
BRAKE CALIPER, FR	76	E12
BRAKE MASTER, FR	61	E4
BRAKE PANEL, RR	80	F2
BRAKE PEDAL	102	G1
CABLES	59	E3
CANISTER (AC)	132	H4
CLUTCH MASTER CYLINDER	64	E6
CONTROL LEVER	59	E3
CYLINDER	61	E4
ELECTRIC PARTS	117	G8
FENDER, FR	70	E9
FENDER, RR	112	G6
FINAL DRIVEN GEAR	84	F4
FRAME	123	G11
FUEL TANK	87	F5
FUEL VALVE	87	F5
HANDLEBAR	66	E7
HEADLIGHT	54	E1
HORN	68	E8
MUFFLER	100	F12
RADIATOR	120	G10
SEAT	90	F7
SHIFT PEDAL	102	G1
SHOCK ABSORBER	110	G5
SHOCK ABSORBER, FR	71	E9
SIDE COVER	92	F8
SPARK UNIT	112	G6
SPEEDOMETER	56	E2
STAND	106	G3
STEERING STEM	68	E8
STEP	104	G2
STRIPE	128	H2
SWINGARM	108	G4
SWITCHES	59	E3
TAILLIGHT	116	G8
TOOLS	126	H1
TOP BRIDGE	66	E7
TURN SIGNAL	114	G7
WHEEL, FR	78	F1
WHEEL, RR	82	F3
WIRE HARNESS	117	G8

# TURN SIGNAL



F14MB0E27

Ref. No.	BLOCK NO. F-27	DESCRIPTION	VF700S		AREA CODE	FRAME SERIAL NUMBER		QTY REQ	PART NUMBER	HONDA CODE
			4	5		FROM	TO			
4	VF700S'84									
5	VF700S'85									
1		TURN SIGNAL ASSY. ....	4	5				1	33400-MB0-406	4061347
		TURN SIGNAL ASSY., R. FR. ....	4	5				1	33400-MB0-950	1781749
2		BASE, TURN SIGNAL ....	4	5				4	33401-MF8-003	1646496
3		LENS, TURN SIGNAL ....	4	5				4	33402-MB1-003	1260397
4		REFLECTOR, TURN SIGNAL ....	4	5				4	33403-MB1-671	1260405
5		SOCKET COMP., TURN SIGNAL ....	4	5				1	33405-MB1-405	3941408
		WIRE COMP., R. TURN SIGNAL ....	4	5				1	33405-MB1-671	1260413
6		GASKET, LENS ....	4	5				4	33407-MB1-003	1260421
7		HOLDER ....	4	5				4	33408-MB1-003	1260439
8		TURN SIGNAL ASSY. ....	4	5				1	33400-MB0-406	4061347
		TURN SIGNAL ASSY., L. FR. ....	4	5				1	33450-MB0-950	1781756
9		SOCKET COMP., TURN SIGNAL ....	4	5				1	33405-MB1-405	3941408
		WIRE COMP., L. TURN SIGNAL ....	4	5				1	33455-MB1-671	1260454
10		STAY, FR. TURN SIGNAL ....	4	5				2	33490-MB1-700	1291376
11		STAY, FR. TURN SIGNAL ....	4	5				2	33490-ME5-000	1328434
12		TURN SIGNAL ASSY., R. FR. ....	4	5				1	33400-MJ1-405	4118907

Ref. No.	BLOCK NO. F-27	DESCRIPTION	VF700S		AREA CODE	FRAME SERIAL NUMBER		QTY REQ	PART NUMBER	HONDA CODE
			4	5		FROM	TO			
4	VF700S'84									
5	VF700S'85									
12		TURN SIGNAL ASSY., R. RR. ....	4	5				1	33600-MJ1-670	1693720
13		WIRE COMP., R. TURN SIGNAL ....	4	5				1	33605-MJ1-000	1781764
14		TURN SIGNAL ASSY., R. FR. ....	4	5				1	33400-MJ1-405	4118907
		TURN SIGNAL ASSY., L. RR. ....	4	5				1	33650-MJ1-670	1693738
15		WIRE COMP., L. TURN SIGNAL ....	4	5				1	33655-MJ1-000	1734508
16		BRACKET, R. RR. TURN SIGNAL ....	4	5				1	33670-MB0-950	1781772
17		BRACKET, L. RR. TURN SIGNAL ....	4	5				1	33680-MB0-950	1781780
18		BULB, TURN SIGNAL (12V 23W) ....	4	5				2	34905-268-671	0145318
		(STANLEY) .....	4	5				2	34905-425-671	0824326
20		BOLT, SOCKET, 8X16 .....	4	5				2	90115-463-000	0881151
21		SCREW, SPECIAL, 6X8 .....	4	5				4	90380-MB2-000	1425271
22		SCREW, TAPPING, 4X12 .....	4	5				8	93901-34320	0791277
23		SCREW, TAPPING, 4X25 .....	4	5				12	93901-34680	1216209
24		NUT, FLANGE, 12MM .....	4	5				4	94050-12000	0671123

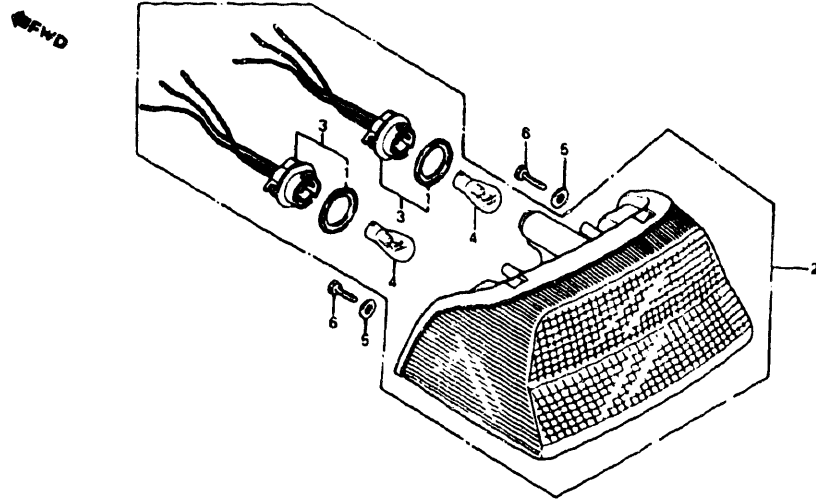
# CONTENTS

TITLE	PAGE	GRID
TACHOMETER	56	E2
AIR CLEANER	97	F10
BATTERY	95	F9
BRAKE CALIPER, FR	76	E12
BRAKE MASTER, FR	61	E4
BRAKE PANEL, RR	80	F2
BRAKE PEDAL	102	G1
CABLES	59	E3
CANISTER (AC)	132	H4
CLUTCH MASTER CYLINDER	64	E6
CONTROL LEVER	59	E3
CYLINDER	61	E4
ELECTRIC PARTS	117	G8
FENDER, FR	70	E9
FENDER, RR	112	G6
FINAL DRIVEN GEAR	84	F4
FRAME	123	G11
FUEL TANK	87	F5
FUEL VALVE	87	F5
HANDLEBAR	66	E7
HEADLIGHT	54	E1
HORN	68	E8
MUFFLER	100	F12
RADIATOR	120	G10
SEAT	90	F7
SHIFT PEDAL	102	G1
SHOCK ABSORBER	110	G5
SHOCK ABSORBER, FR	71	E9
SIDE COVER	92	F8
SPARK UNIT	112	G6
SPEEDOMETER	56	E2
STAND	106	G3
STEERING STEM	68	E8
STEP	104	G2
STRIPE	128	H2
SWINGARM	108	G4
SWITCHES	59	E3
TAILLIGHT	116	G8
TOOLS	126	H1
TOP BRIDGE	66	E7
TURN SIGNAL	114	G7
WHEEL, FR	78	F1
WHEEL, RR	82	F3
WIRE HARNESS	117	G8

VF700S'84 ENGINE NO.; RC22E-2000008 TO 2005978  
 VF700S'84 FRAME NO.; RC220-EM000007 TO EM005012  
 VF700S'84 ENGINE NO.; RC22E-2002575 TO 2006097  
 VF700S'84 FRAME NO.; RC221-EM000006 TO EM001081

VF700S'85 ENGINE NO.; RC22E-2100001 TO 2103668  
 VF700S'85 FRAME NO.; RC220-FM100001 TO FM102800  
 VF700S'85 ENGINE NO.; RC22E-2100001 TO 2103285  
 VF700S'85 FRAME NO.; RC221-FM100001 TO FM100863

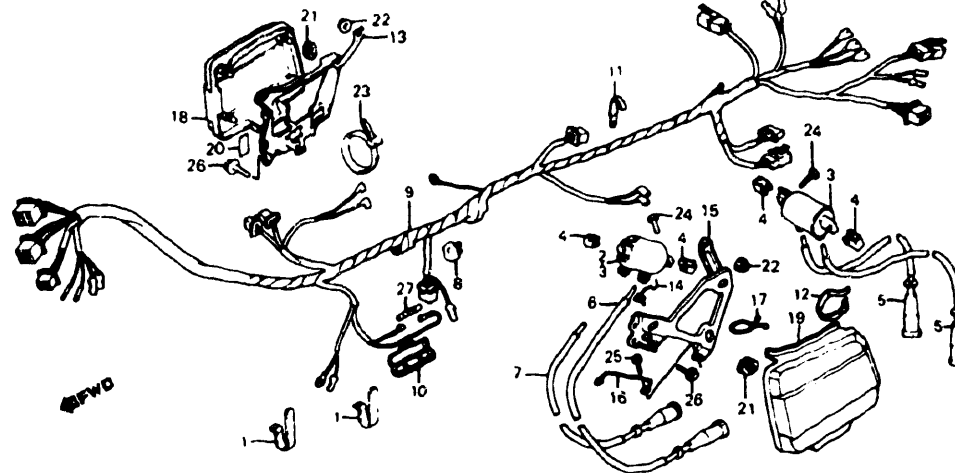
# TAILLIGHT



F14MB0E28

Ref. No.	BLOCK NO. DESCRIPTION	F-28	VF700S		AREA CODE	FRAME SERIAL NUMBER		QTY REQ	PART NUMBER	HONDA CODE
			4	5		FROM	TO			
	4 = VF700S'84 5 = VF700S'85									
1	GASKET, SEAL		4	5		---	---	2	33518-SA2-003	0845875
2	TAILLIGHT UNIT (12V 23/8W)		4	5		---	---	1	33701-MB0-671	1265016
3	WIRE COMP., TAILLIGHT		4	5		---	---	2	33705-MB0-003	1265412
4	BULB, TAILLIGHT (12V 27/7W 2057HD)		4	5		---	---	2	34906-MG9-771	1700301
	BULB, TAILLIGHT (12V 27/8W)		4	5		---	---	2	34906-341-671	0273540
5	WASHER, 6MM		4	5		---	---	3	90506-634-000	0954016
6	BOLT, HEX., 6X16		4	5		---	---	3	92000-06016-0H	0623801
	BOLT, HEX., 6X16		4	5		---	---	3	92100-06016-0H	2234896

# WIRE HARNESS • ELECTRIC PARTS



F14MB0E29

Ref. No.	BLOCK NO. DESCRIPTION	F-29	VF700S		AREA CODE	FRAME SERIAL NUMBER		QTY REQ	PART NUMBER	HONDA CODE
			4	5		FROM	TO			
	4 = VF700S'84 5 = VF700S'85									
1	CLIP, OVER FLOW TUBE		4	5		---	---	2	19109-MB0-700	1323948
2	COIL COMP., IGNITION		4	5	AC	---	---	1	30510-MA6-013	1811173
3	COIL COMP., IGNITION		4	5	A	---	---	2	30510-MB0-702	1832112
	COIL COMP., IGNITION		4	5	AC	---	---	1	30510-MB0-702	1832112
	COIL COMP., IGNITION		4	5	A	---	---	2	30510-MB0-703	2000644
	COIL COMP., IGNITION		4	5	AC	---	---	1	30510-MB0-703	2000644
4	SPACER, IGNITION COIL		4	5		---	---	4	30520-MB0-000	1245984
5	CAP ASSY. 1, COIL WIRE		4	5		---	---	2	30751-MB0-950	1796960
6	CAP ASSY. 2, COIL WIRE		4	5	A	---	---	1	30752-MB0-700	1876606
	CAP ASSY. 2, COIL WIRE		4	5	AC	---	---	1	30752-MB0-960	1799006
7	CAP ASSY. 4, COIL WIRE		4	5	A	---	---	1	30754-MB0-700	1876614
	CAP ASSY. 4, COIL WIRE		4	5	AC	---	---	1	30754-MB0-960	1799014
8	RECTIFIER ASSY., SILICON (STANLEY)		4	5		---	---	1	31700-124-003	0351346
	RECTIFIER ASSY., SILICON (SHINDENGEN)		4	5		---	---	1	31700-124-008	0692129
9	HARNESS, WIRE		4	--	A	---	---	1	32100-MB0-950	1781707

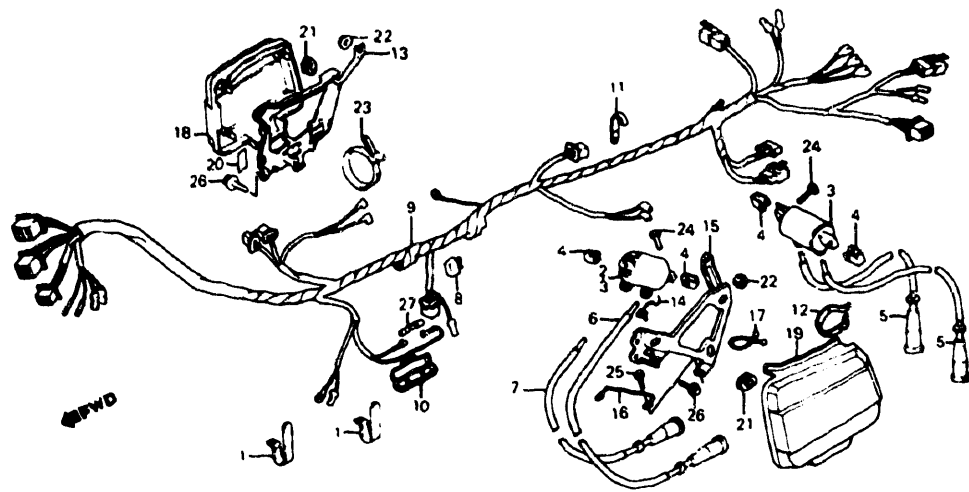
# CONTENTS

TITLE	PAGE	GRID
TACHOMETER	56	E2
AIR CLEANER	97	F10
BATTERY	95	F9
BRAKE CALIPER, FR	76	E12
BRAKE MASTER, FR	61	E4
BRAKE PANEL, RR	30	F2
BRAKE PEDAL	102	G1
CABLES	59	E3
CANISTER (AC)	132	H4
CLUTCH MASTER CYLINDER	64	E6
CONTROL LEVER	59	E3
CYLINDER	61	E4
ELECTRIC PARTS	117	G8
FENDER, FR	70	E9
FENDER, RR	112	G6
FINAL DRIVEN GEAR	84	F4
FRAME	123	G11
FUEL TANK	87	F5
FUEL VALVE	87	F5
HANDLEBAR	66	E7
HEADLIGHT	54	E1
HORN	68	E8
MUFFLER	100	F12
RADIATOR	120	G10
SEAT	90	F7
SHIFT PEDAL	102	G1
SHOCK ABSORBER	110	G5
SHOCK ABSORBER, FR	71	E9
SIDE COVER	92	F8
SPARK UNIT	112	G6
SPEEDOMETER	56	E2
STAND	106	G3
STEERING STEM	68	E8
STEP	104	G2
STRIPE	128	H2
SWINGARM	108	G4
SWITCHES	59	E3
TAILLIGHT	116	G8
TOOLS	126	H1
TOP BRIDGE	66	E7
TURN SIGNAL	114	G7
WHEEL, FR	78	F1
WHEEL, RR	82	F3
WIRE HARNESS	117	G8

VF700S'84 ENGINE NO.; RC22E-2000008 TO 2005978  
 VF700S'84 FRAME NO.; RC220-EM000007 TO EM005012  
 VF700S'84 ENGINE NO.; RC22E-2002575 TO 2006097  
 VF700S'84 FRAME NO.; RC221-EM000006 TO EM001081

VF700S'85 ENGINE NO.; RC22E-2100301 TO 2103668  
 VF700S'85 FRAME NO.; RC220-FM100001 TO FM102800  
 VF700S'85 ENGINE NO.; RC22E-2100001 TO 2103285  
 VF700S'85 FRAME NO.; RC221-FM100001 TO FM100863

# WIRE HARNESS • ELECTRIC PARTS



F14MB0E29

Ref. No.	BLOCK NO.	F-29	VF700S		AREA CODE	FRAME SERIAL NUMBER		QTY REQ	PART NUMBER	HONDA CODE
			4	5		FROM	TO			
			4	5						
21	GROMMET, AIR CLEANER CASE		4	5				6	83551-300-000	0204990
22	NUT, CAP, 6MM		4	5				2	90201-415-000	0670729
	NUT, FLANGE, 6MM		4	5				2	94050-06000	0471623
23	STRAP, CABLE, 118MM (BLACK)		4	--				1	90672-SA0-003	1170653
24	BOLT, HEX., 6X20		4	5				4	92000-06020-4J	0499582
	BOLT, HEX., 6X20		4	5				4	92101-06020-4J	2801207
25	SCREW, WASHER, 6X16		--	5	AC			2	93893-06016-08	0717447
26	BOLT, FLANGE, 6X10		4	5				4	95700-06010-08	0344952
	BOLT, FLANGE, 6X10		4	5				4	95701-06010-08	2204709
27	FUSE B (10A)		4	--				2	98200-21000	0562793

# CONTENTS

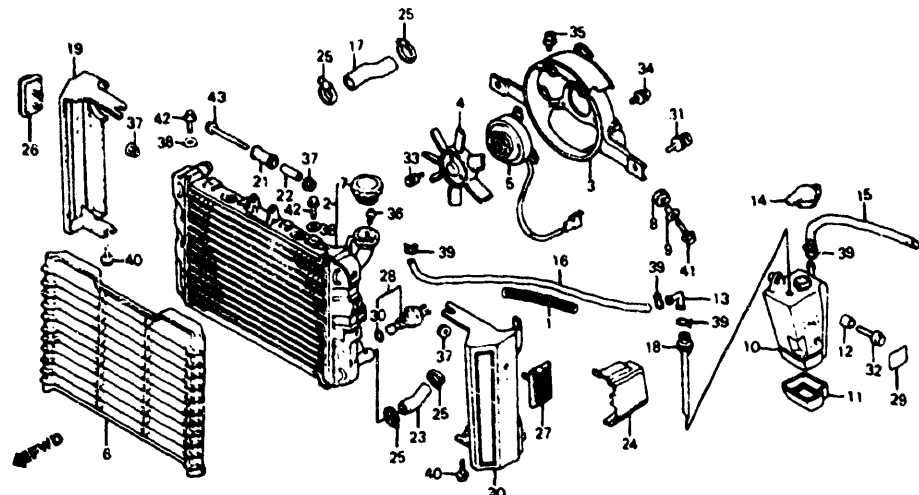
TITLE	PAGE	GRID
TACHOMETER	56	E2
AIR CLEANER	87	F10
BATTERY	95	F9
BRAKE CALIPER, FR.	76	E12
BRAKE MASTER, FR.	61	E4
BRAKE PANEL, RR.	80	F2
BRAKE PEDAL	102	G1
CABLES	59	E3
CANISTER (AC)	132	H4
CLUTCH MASTER CYLINDER	64	E6
CONTROL LEVER	59	E3
CYLINDER	61	E4
ELECTRIC PARTS	117	G8
FENDER, FR.	70	E9
FENDER, RR.	112	G6
FINAL DRIVEN GEAR	84	F4
FRAME	123	G11
FUEL TANK	87	F5
FUEL VALVE	87	F5
HANDLEBAR	66	E7
HEADLIGHT	54	E1
HORN	68	E8
MUFFLER	100	F12
RADIATOR	120	G10
SEAT	90	F7
SHIFT PEDAL	102	G1
SHOCK ABSORBER	110	G5
SHOCK ABSORBER, FR.	71	E9
SIDE COVER	92	F8
SPARK UNIT	112	G6
SPEEDOMETER	56	E2
STAND	106	G3
STEERING STEM	68	E8
STEP	104	G2
STRIPE	128	H2
SWINGARM	108	G4
SWITCHES	59	E3
TAILLIGHT	116	G8
TOOLS	126	H1
TOP BRIDGE	66	E7
TURN SIGNAL	114	G7
WHEEL, FR.	78	F1
WHEEL, RR.	82	F3
WIRE HARNESS	117	G8

Ref. No.	BLOCK NO.	F-29	VF700S		AREA CODE	FRAME SERIAL NUMBER		QTY REQ	PART NUMBER	HONDA CODE
			4	5		FROM	TO			
			4	5						
9	HARNESS, WIRE		4	--	AC			1	32100-MB0-960	1799022
	HARNESS, WIRE		--	5	A			1	32100-MB0-910	1876655
	HARNESS, WIRE		--	5	AC			1	32100-MB0-920	1876663
10	CASE, FUSE (10A)		4	--				1	32126-463-770	0935122
11	CLIP, HARNESS		4	5				1	32127-MB0-701	1384049
12	BAND B1, WIRE		4	5				1	32161-404-000	0468819
13	BRACKET, R. ELECTRIC PARTS		4	5	A			1	38010-MB0-950	1789338
	BRACKET, R. ELECTRIC PARTS		4	5	AC			1	38010-MB0-960	1781921
14	CLAMP, COIL WIRE		4	5	AC			1	38011-MB0-960	1799055
15	BRACKET, L. ELECTRIC PARTS		4	5	A			1	38020-MB0-700	1308873
	BRACKET, L. ELECTRIC PARTS		4	5	AC			1	38020-MB0-960	1781939
16	PROTECTOR, TUBE		--	5	AC			1	38021-MB0-960	1975762
17	CLIP, AIR VENT TUBE		4	5				1	38025-MB0-700	1384056
18	COVER, R. ELECTRIC PARTS		4	5				1	38030-MB0-700	1308881
19	COVER, L. ELECTRIC PARTS		4	5				1	38040-MB0-700	1308899
20	LABEL, FAN MOTOR FUSE		4	5	AC			1	38216-MB0-960	1809490

VF700S'84 ENGINE NO.; RC22E-2000008 TO 2005978  
 VF700S'84 FRAME NO.; RC220-EM000007 TO EM005012  
 VF700S'84 ENGINE NO.; RC22E-2002575 TO 2006097  
 VF700S'84 FRAME NO.; RC221-EM000006 TO EM001081

VF700S'85 ENGINE NO.; RC22E-2100001 TO 2103668  
 VF700S'85 FRAME NO.; RC220-FM100001 TO FM102800  
 VF700S'85 ENGINE NO.; RC22E-2100001 TO 2103285  
 VF700S'85 FRAME NO.; RC221-FM100001 TO FM100863

# RADIATOR



\*CAUTION OR WARNING LABELS MUST BE ORDERED SEPARATELY WHEN APPLICABLE\*

F14MB0E30

Ref. No.	BLOCK NO. F-30 DESCRIPTION	VF700S		AREA CODE	FRAME SERIAL NUMBER		QTY REQ	PART NUMBER	HONDA CODE
		4	5		FROM	TO			
	4 = VF700S'84 5 = VF700S'85	V	V	A					
		F	F	R					
		7	7	E					
		0	0						
		0	0						
		8	8						
		4	4						
		5	5						
1	SPRING, FUEL TUBE COVER	4	5				1	16715-MB1-000	1260215
2	RADIATOR COMP.	4	5				1	19010-MB0-003	1245331
	RADIATOR COMP. (TOYO)	4	5				1	19010-MB0-702	1303668
3	SHROUD COMP. (TOYO)	4	5				1	19015-MB0-702	1515246
	SHROUD COMP. (ND)	4	5				1	19015-MB1-013	1804038
4	FAN, COOLING (ND)	4	5				1	19020-MB0-013	1724145
5	MOTOR, FAN	4	5				1	19030-MB0-950	1789296
6	GRILLE, RADIATOR	4	5				1	19032-MB0-950	1781483
7	CAP COMP., RADIATOR (ND)	4	5				1	19045-MB0-013	1781491
	CAP COMP., RADIATOR (TOYO)	4	5				1	19045-MB0-702	1303684
8	RUBBER, RADIATOR MOUNTING	4	5				2	19051-KA4-000	1042266
9	COLLAR, RADIATOR MOUNTING	4	5				2	19052-MB0-000	1245398
10	TANK, RESERVE	4	5				1	19101-MB0-890	3826252
	TANK, RESERVE	4	5				1	19101-MB0-950	1781525
11	COVER, RESERVE TANK	4	5				1	19102-MB0-000	1245414
12	COLLAR, RESERVE TANK SETTING	4	5				1	19103-MB0-000	1245422

VF700S'84 ENGINE NO.; RC22E-2000008 TO 2005978  
 VF700S'84 FRAME NO.; RC220-EM000007 TO EM005012  
 VF700S'84 ENGINE NO.; RC22E-2002575 TO 2006097  
 VF700S'84 FRAME NO.; RC221-EM000006 TO EM001081  
 VF700S'85 ENGINE NO.; RC22E-2100001 TO 2103668  
 VF700S'85 FRAME NO.; RC220-FM100001 TO FM102800  
 VF700S'85 ENGINE NO.; RC22E-2100001 TO 2103285  
 VF700S'85 FRAME NO.; RC221-FM100001 TO FM100863

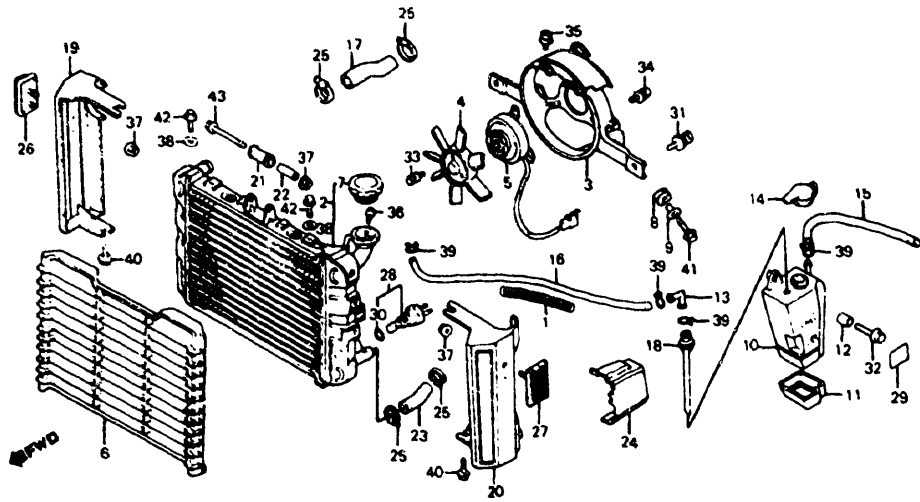
Ref. No.	BLOCK NO. F-30 DESCRIPTION	VF700S		AREA CODE	FRAME SERIAL NUMBER		QTY REQ	PART NUMBER	HONDA CODE
		4	5		FROM	TO			
	4 = VF700S'84 5 = VF700S'85	V	V	A					
		F	F	R					
		7	7	E					
		0	0						
		0	0						
		8	8						
		4	4						
		5	5						
13	JOINT, TUBE	4	5				1	19103-463-000	0881904
14	CAP, RESERVE TANK	4	5				1	19104-MB0-700	1308071
15	TUBE, RESERVE TANK	4	5				1	19106-MB0-700	1314095
16	TUBE, OVERFLOW	4	5				1	19107-MB0-000	1245463
17	HOSE, RADIATOR	4	5				1	19107-MB1-000	1252402
18	TUBE, LEVEL	4	5				1	19108-MB0-000	1245471
19	COVER, R. RADIATOR	4	5				1	19110-MB0-950	1781533
20	COVER, L. RADIATOR	4	5				1	19111-MB0-950	1781541
21	RUBBER, RADIATOR MOUNTING	4	5				1	19113-MB0-000	1245539
22	COLLAR, RADIATOR MOUNTING	4	5				1	19114-MB0-000	1245547
23	HOSE A, RADIATOR	4	5				1	19115-MB0-000	1245554
24	COVER, RADIATOR HOSE	4	5				1	19117-MB0-700	1308121
25	CLAMP, WATER HOSE	4	5				4	19503-MB1-870	1707991
26	REFLECTOR, R. FR. REFLEX	4	5				1	33740-MB0-950	1781798
27	REFLECTOR, L. FR. REFLEX	4	5				1	33741-MB0-950	1781806
28	THERMOSWITCH ASSY.	4	5				1	37760-MB4-770	1550086
29	LABEL, RESERVE TANK	4	5				1	87507-371-671	0471227
30	O-RING, 13.5X1.4	4	5				1	91307-PH7-660	2514651
	O-RING, 12.5X1.4	4	5				1	91307-611-000	0347906
31	BOLT-FLANGE, 6X12	4	5				2	93493-06012-07	0823427
	BOLT, FLANGE, 6X12	4	5				2	95700-06012	0346254
	BOLT, FLANGE, 6X12	4	5				2	95700-06012-00	0487025
	BOLT, FLANGE, 6X12	4	5				2	95700-06012-10	1876044
	BOLT, FLANGE, 6X12	4	5				2	95701-06012-00	2105799
	BOLT, FLANGE, 6X12	4	5				2	95800-06012	0622431
	BOLT, FLANGE, 6X12	4	5				2	95900-06012-02	1816727
32	BOLT-WASHER, 6X25	4	5				1	93494-06025-08	0677294
33	SCREW, WASHER, 4X8	4	5				3	93893-04008-08	0870857
	SCREW, 4MM	4	5	A		FM102757	3	93893-04008-08	0870857
	SCREW, 4MM	4	5	A		FM102758	3	90101-MG9-003	1531953
	SCREW, 4MM	4	5	AC		FM102758	3	90101-MG9-003	1531953
34	SCREW-WASHER, 5X10	4	5				3	93893-05010-08	0648774
35	SCREW-WASHER, 6X12	4	5				2	93893-06012-07	1317007

# CONTENTS

TITLE	PAGE	GRID
TACHOMETER	56	E2
AIR CLEANER	97	F10
BATTERY	95	F9
BRAKE CALIPER, FR.	76	E12
BRAKE MASTER, FR.	61	E4
BRAKE PANEL, RR.	80	F2
BRAKE PEDAL	102	G1
CABLES	59	E3
CANISTER (AC)	132	H4
CLUTCH MASTER CYLINDER	64	E6
CONTROL LEVER	59	E3
CYLINDER	61	E4
ELECTRIC PARTS	117	G8
FENDER, FR.	70	E9
FENDER, RR.	112	G6
FINAL DRIVEN GEAR	84	F4
FRAME	123	G11
FUEL TANK	87	F5
FUEL VALVE	87	F5
HANDLEBAR	66	E7
HEADLIGHT	54	E1
HORN	68	E8
MUFFLER	100	F12
RADIATOR	120	G10
SEAT	90	F7
SHIFT PEDAL	102	G1
SHOCK ABSORBER	110	G5
SHOCK ABSORBER, FR.	71	E9
SIDE COVER	92	F8
SPARK UNIT	112	G6
SPEEDOMETER	56	E2
STAND	106	G3
STEERING STEM	68	E8
STEP	104	G2
STRIPE	128	H2
SWINGARM	108	G4
SWITCHES	59	E3
TAILLIGHT	116	G8
TOOLS	126	H1
TOP BRIDGE	66	E7
TURN SIGNAL	114	G7
WHEEL, FR.	78	F1
WHEEL, RR.	82	F3
WIRE HARNESS	117	G8



# RADIATOR

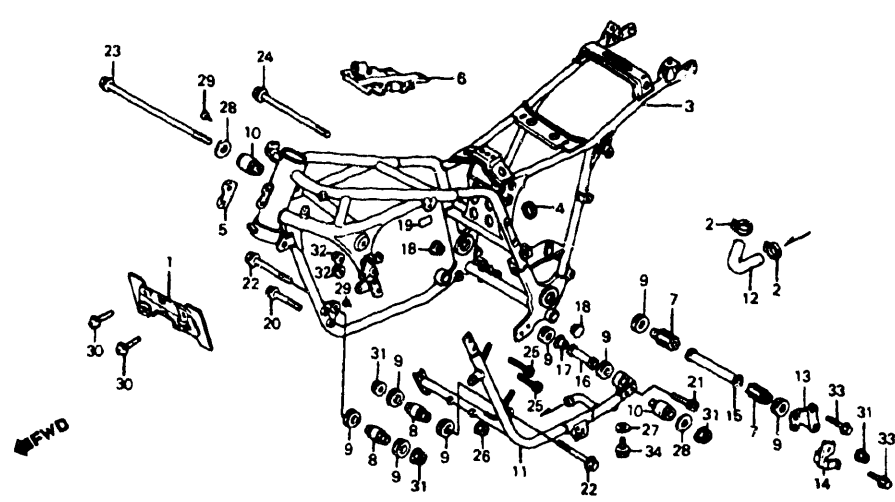


"CAUTION OR WARNING LABELS MUST BE ORDERED SEPARATELY WHEN APPLICABLE"

F14MB0E30

Ref. No.	BLOCK NO. DESCRIPTION	V F 7 0 0 S		A R E A C O D E	F R A M E S E R I A L N U M B E R		Q T Y R E Q	P A R T N U M B E R	H O N D A C O D E
		4	5		FROM	TO			
	4 = VF700S'84 5 = VF700S'85								
	36 SCREW, TAPPING, 3X8	4	5				1	93901-22180	0786772
	37 NUT, FLANGE, 6MM	4	5				3	94050-06000	0471623
	38 WASHER, PLAIN, 6MM	4	5				2	94101-06700	0294231
	39 CLIP, TUBE, C11	4	5				4	95002-70000	0053595
	40 BOLT, FLANGE, 6X10	4	5				2	95700-06010-07	0663930
	BOLT, FLANGE, 6X10	4	5				2	95701-06010-07	2374734
	41 BOLT, FLANGE, 6X25	4	5				2	95700-06025-07	0721076
	BOLT, FLANGE, 6X25	4	5				2	95701-06025-07	2449122
	42 BOLT, FLANGE, 6X10	4	5				2	96000-06010-07	1260959
	BOLT, FLANGE, 6X10	4	5				2	96001-06010-07	2154664
	43 BOLT, FLANGE, 6X40	4	5				1	96000-06040-00	0782870
	BOLT, FLANGE, 6X40	4	5				1	96001-06040-00	2106037

# FRAME



"CAUTION OR WARNING LABELS MUST BE ORDERED SEPARATELY WHEN APPLICABLE"

F14MB0E31

Ref. No.	BLOCK NO. DESCRIPTION	V F 7 0 0 S		A R E A C O D E	F R A M E S E R I A L N U M B E R		Q T Y R E Q	P A R T N U M B E R	H O N D A C O D E
		4	5		FROM	TO			
	4 = VF700S'84 5 = VF700S'85								
	1 PLATE, HEAT GUARD	4	5				1	19125-MB0-701	1876598
	2 CLAMP, WATER HOSE	4	5				2	19503-MB1-870	1707991
	3 FRAME COMP. *NH1* (BLACK)	4		A			1	50100-MB0-951ZA	2295822
	FRAME COMP. *NH1* (BLACK)	4		AC			1	50100-MB0-961ZA	2327153
	FRAME COMP. *NH1* (BLACK)		5	A			1	50100-MB0-910ZA	1876937
	FRAME COMP. *NH1* (BLACK)		5	AC			1	50100-MB0-920ZA	1876945
	4 GROMMET, BREATHER TUBE	4	5				1	50178-MB0-000	1248491
	5 COVER, FAIRING BRACKET	4	5				1	50184-MB0-700	1309137
	6 PLATE, FUEL TANK HEAT GUARD	4	5				1	50189-MB0-700	1514348
	7 RUBBER A, MOUNTING	4	5				2	50201-MB0-000	1248533
	8 RUBBER B, MOUNTING	4	5				2	50202-MB0-000	1248541
	9 RUBBER C, MOUNTING	4	5				8	50203-MB0-000	1248558
	RUBBER C, MOUNTING	4	5				8	50203-MB0-010	2956027

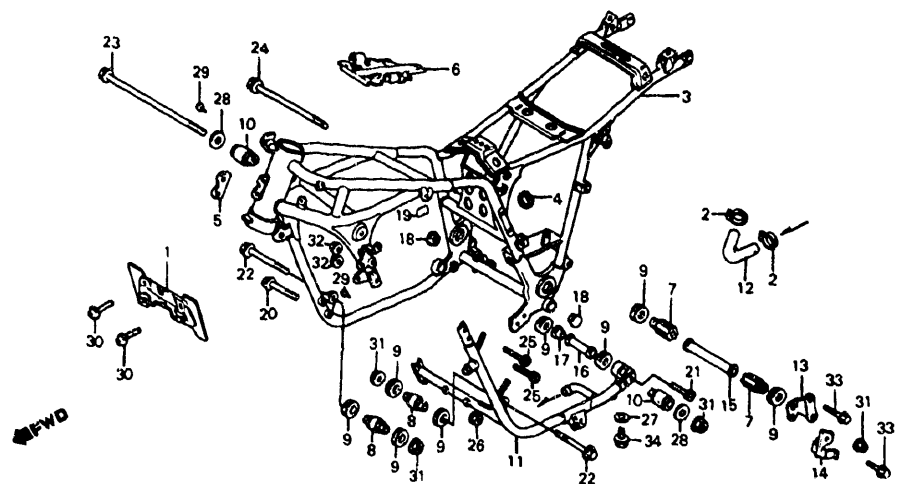
# CONTENTS

TITLE	PAGE	GRID
TACHOMETER	56	E2
AIR CLEANER	97	F10
BATTERY	95	F9
BRAKE CALIPER FR.	76	E12
BRAKE MASTER FR.	61	E4
BRAKE PANEL FR.	80	F2
BRAKE PEDAL	102	G1
CABLES	59	E3
CANISTER (AC)	132	H4
CLUTCH MASTER CYLINDER	64	E6
CONTROL LEVER	59	E3
CYLINDER	61	E4
ELECTRIC PARTS	117	G8
FENDER FR.	70	E9
FENDER RR.	112	G6
FINAL DRIVEN GEAR	84	F4
FRAME	123	G11
FUEL TANK	87	F5
FUEL VALVE	87	F5
HANDLEBAR	66	E7
HEADLIGHT	54	E1
HORN	68	E8
MUFFLER	100	F12
RADIATOR	120	G10
SEAT	90	F7
SHIFT PEDAL	102	G1
SHOCK ABSORBER	110	G5
SHOCK ABSORBER FR.	71	E9
SIDE COVER	92	F8
SPARK UNIT	112	G6
SPEEDOMETER	56	E2
STAND	106	G3
STEERING STEM	68	E8
STEP	104	G2
STRIPE	123	H2
SWINGARM	108	G4
SWITCHES	59	E3
TAILLIGHT	116	G8
TOOLS	126	H1
TOP BRIDGE	66	E7
TURN SIGNAL	114	G7
WHEEL FR.	78	F1
WHEEL RR.	82	F3
WIRE HARNESS	117	G8

VF700S'84 ENGINE NO.; RC22E-2000008 TO 2005978  
 VF700S'84 FRAME NO.; RC220-EM000007 TO EM005012  
 VF700S'84 ENGINE NO.; RC22E-2002575 TO 2006097  
 VF700S'84 FRAME NO.; RC221-EM000006 TO EM001081

VF700S'85 ENGINE NO.; RC22E-2100001 TO 2103668  
 VF700S'85 FRAME NO.; RC220-FM100001 TO FM102800  
 VF700S'85 ENGINE NO.; RC22E-2100001 TO 2103285  
 VF700S'85 FRAME NO.; RC221-FM100001 TO FM100863

# FRAME



"CAUTION OR WARNING LABELS MUST BE ORDERED SEPARATELY WHEN APPLICABLE"

F14MB0E31

4 = VF700S'84  
5 = VF700S'85

Ref. No.	BLOCK NO. F-31	DESCRIPTION	V F 7 0 0 S		A R E A C O D E	F R A M E S E R I A L N U M B E R		Q T Y R E Q	P A R T N U M B E R	H O N D A C O D E
			4	5		FROM	TO			
10		RUBBER D, MOUNTING	4	5				2	50206-MB0-000	1248566
11		SUB FRAME COMP. *NH1* (BLACK)	4		A			1	50210-MB0-950ZA	1782101
		SUB FRAME COMP. *NH1* (BLACK)	4		AC			1	50210-MB0-960ZA	1782119
		SUB FRAME COMP. *NH1* (BLACK)		5	A			1	50210-MB0-910ZA	1876960
		SUB FRAME COMP. *NH1* (BLACK)		5	A			1	50210-MB0-911ZA	2309797
		SUB FRAME COMP. *NH1* (BLACK)		5	AC			1	50210-MB0-920ZA	1876978
		SUB FRAME COMP. *NH1* (BLACK)		5	AC			1	50210-MB0-921ZA	2490878
12		HOSE, LOWER WATER	4	5				1	50242-MB0-000	1248590
13		PLATE, L. ENGINE UPPER HANGER	4	5				1	50356-MB0-000	1248681
14		CLAMP, WIRE	4	5				1	50358-MB0-000	1248707
15		COLLAR A, ENGINE HANGER	4	5				1	50361-MB0-000	1248715
16		COLLAR B, ENGINE HANGER	4	5				1	50362-MB0-000	1248723

4 = VF700S'84  
5 = VF700S'85

Ref. No.	BLOCK NO. F-31	DESCRIPTION	V F 7 0 0 S		A R E A C O D E	F R A M E S E R I A L N U M B E R		Q T Y R E Q	P A R T N U M B E R	H O N D A C O D E
			4	5		FROM	TO			
17		COLLAR C, ENGINE HANGER	4	5				1	50363-MB0-000	1248731
18		CAP, MAIN STAND PIPE	4	5				2	50750-MB0-000	1249200
19		LABEL, BATTERY CAUTION	4	5				1	87506-MB0-670	1250653
20		BOLT, FLANGE, 8X60	4	5				2	90017-369-690	1420637
21		BOLT, SOCKET, 10X25	4	5				1	90101-MB0-000	1250836
22		BOLT, FLANGE, 10X65	4	5				2	90102-MB0-000	1250844
23		BOLT, FLANGE, 10X345	4	5				1	90104-MB0-000	1250885
24		BOLT, FLANGE, 10X220	4	5				1	90110-MB0-000	1250968
25		BOLT, SOCKET, 10X30	4	5				2	90152-MB0-000	1251107
26		NUT, FLANGE, 8MM	4	5				2	90208-425-870	0758375
27		WASHER, SEALING, 6MM	4	5				1	90441-028-010	0014480
28		WASHER, ENGINE HANGER	4	5				2	90502-MB0-000	1251370
29		SCREW, RIVET, 1.5X5	4	5				4	90841-001-000	0172866
30		SCREW-WASHER, 5X12	4	5				2	93893-05012-07	0692665
31		NUT, FLANGE, 10MM	4	5				4	94050-10000	0483867
32		NUT, FLANGE, 10MM	4	5				2	94050-10080	0623405
33		BOLT, FLANGE, 8X16	4	5				2	95700-08016-07	1251891
		BOLT, FLANGE, 8X16	4	5				2	95701-08016-07	2724003
34		BOLT, FLANGE, 6X10	4	5				1	96000-06010-07	1260959
		BOLT, FLANGE, 6X10	4	5				1	96001-06010-07	2154664

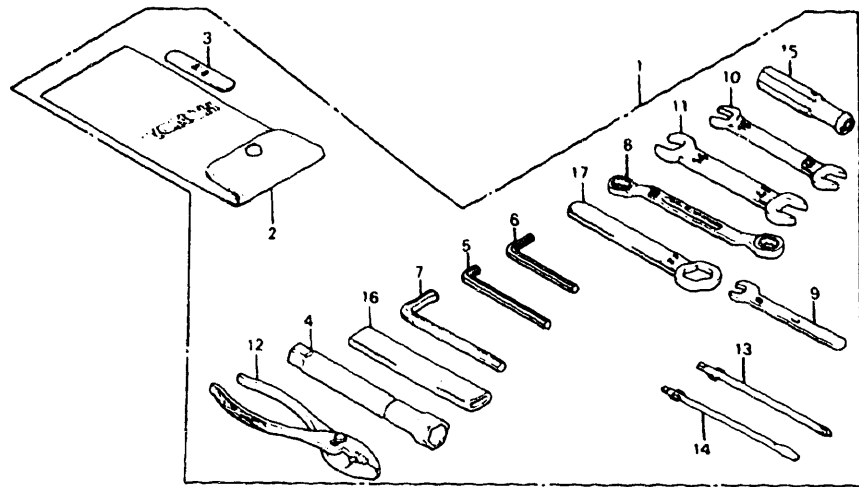
# CONTENTS

TITLE	PAGE	GRID
TACHOMETER	56	E2
AIR CLEANER	97	F10
BATTERY	95	F9
BRAKE CALIPER, FR.	76	E12
BRAKE MASTER, FR.	61	E4
BRAKE PANEL, RR.	80	F2
BRAKE PEDAL	102	G1
CABLES	59	E3
CANISTER (AC)	132	H4
CLUTCH MASTER CYLINDER	64	E6
CONTROL LEVER	59	E3
CYLINDER	61	E4
ELECTRIC PARTS	117	G8
FENDER, FR.	70	E9
FENDER, RR.	112	G6
FINAL DRIVEN GEAR	84	F4
FRAME	123	G11
FUEL TANK	87	F5
FUEL VALVE	87	F5
HANDLEBAR	66	E7
HEADLIGHT	54	E1
HORN	68	E8
MUFFLER	100	F12
RADIATOR	120	G10
SEAT	90	F7
SHIFT PEDAL	102	G1
SHOCK ABSORBER	110	G5
SHOCK ABSORBER, FR.	71	E9
SIDE COVER	92	F8
SPARK UNIT	112	G6
SPEEDOMETER	56	E2
STAND	106	G3
STEERING STEM	68	E8
STEP	104	G2
STRIPE	128	H2
SWINGARM	108	G4
SWITCHES	59	E3
TAILLIGHT	116	G8
TOOLS	126	H1
TOP BRIDGE	66	E7
TURN SIGNAL	114	G7
WHEEL, FR.	78	F1
WHEEL, RR.	82	F3
WIRE HARNESS	117	G8

VF700S'84 ENGINE NO.; RC22E-2000008 TO 2005978  
 VF700S'84 FRAME NO.; RC220-EM000007 TO EM005012  
 VF700S'84 ENGINE NO.; RC22E-2002575 TO 2006097  
 VF700S'84 FRAME NO.; RC221-EM000006 TO EM001081

VF700S'85 ENGINE NO.; RC22E-2100001 TO 2103668  
 VF700S'85 FRAME NO.; RC220-FM100001 TO FM102800  
 VF700S'85 ENGINE NO.; RC22E-2100001 TO 2103285  
 VF700S'85 FRAME NO.; RC221-FM100001 TO FM100863

# TOOLS



F14MB0E32

Ref. No.	BLOCK NO. DESCRIPTION	VF700S		AREA CODE	FRAME SERIAL NUMBER		QTY REQ	PART NUMBER	HONDA CODE
		4	5		FROM	TO			
	4 = VF700S'84 5 = VF700S'85								
1	TOOL SET	4	5				1	89010-MB0-670	1782580
2	BAG, TOOL	4	5				1	89101-300-010	0192369
	BAG, TOOL, 200MM	4	5				1	99008-02000	0268185
3	GAUGE, FEELER, 0.7	4	5				1	89103-371-000	0443663
4	WRENCH, PLUG	4	5				1	89216-MB0-000	1260751
5	WRENCH, HEX., 5MM	4	5				1	89221-MB0-000	1250778
6	WRENCH, HEX., 5MM	4	5				1	89221-429-000	0786046
7	WRENCH, HEX., 8MM	4	5				1	89222-371-000	0408724
8	WRENCH, EYE, 10X12	4	5				1	89227-461-000	0918813
9	SPANNER, 8MM	4	5				1	99001-08000	0342766
10	SPANNER, 10X12	4	5				1	99001-10120	0187559
11	SPANNER, 14X17	4	5				1	99001-14170	0187567
12	PLIERS, 135	4	5				1	99002-13500	0669252
13	DRIVER 1, PLUS SCREW (NO.2)	4	5				1	99003-10000	0052423
14	DRIVER 3, MINUS SCREW (NO.2)	4	5				1	99003-30000	0052449
15	GRIP	4	5				1	99003-50000	0052464

VF700S'84 ENGINE NO.; RC22E-2000008 TO 2005978  
 VF700S'84 FRAME NO.; RC220-EM000007 TO EM005012  
 VF700S'84 ENGINE NO.; RC22E-2002575 TO 2006097  
 VF700S'84 FRAME NO.; RC221-EM000006 TO EM001081

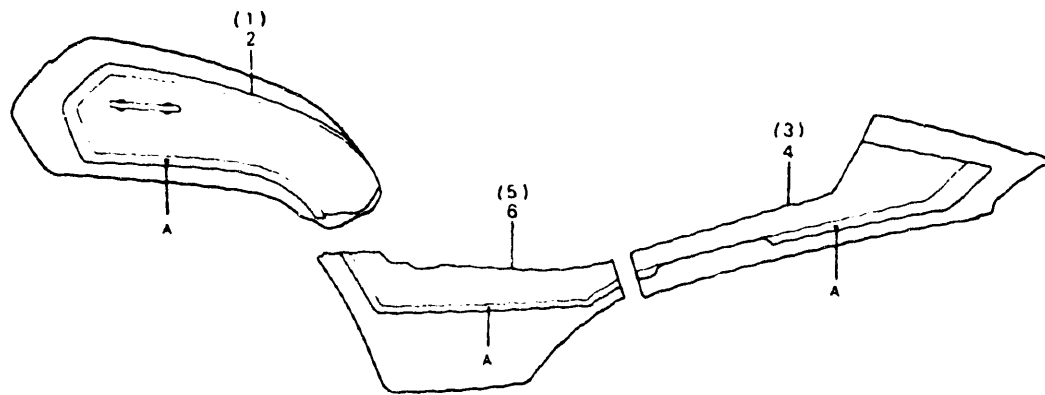
VF700S'85 ENGINE NO.; RC22E-2100001 TO 2103668  
 VF700S'85 FRAME NO.; RC220-FM100001 TO FM102800  
 VF700S'85 ENGINE NO.; RC22E-2100001 TO 2103285  
 VF700S'85 FRAME NO.; RC221-FM100001 TO FM100863

Ref. No.	BLOCK NO. DESCRIPTION	VF700S		AREA CODE	FRAME SERIAL NUMBER		QTY REQ	PART NUMBER	HONDA CODE
		4	5		FROM	TO			
	4 = VF700S'84 5 = VF700S'85								
16	HANDLE, EYE WRENCH, 120MM	4	5			-----	1	99006-12000	0270496
17	WRENCH, EYE, 22MM	4	5			-----	1	99006-22000	0268227

# CONTENTS

TITLE	PAGE	GRID
TACHOMETER	56	E2
AIR CLEANER	97	F10
BATTERY	95	F9
BRAKE CALIPER, FR.	76	E12
BRAKE MASTER, FR.	61	E4
BRAKE PANEL, RR.	80	F2
BRAKE PEDAL	102	G1
CABLES	59	E3
CANISTER (AC)	132	H4
CLUTCH MASTER CYLINDER	64	E6
CONTROL LEVER	59	E3
CYLINDER	61	E4
ELECTRIC PARTS	117	G8
FENDER, FR.	70	E9
FENDER, RR.	112	G6
FINAL DRIVEN GEAR	84	F4
FRAME	123	G11
FUEL TANK	87	F5
FUEL VALVE	87	F5
HANDLEBAR	66	E7
HEADLIGHT	54	E1
HORN	68	E8
MUFFLER	100	F12
RADIATOR	120	G10
SEAT	90	F7
SHIFT PEDAL	102	G1
SHOCK ABSORBER	110	G5
SHOCK ABSORBER, FR.	71	E9
SIDE COVER	92	F8
SPARK UNIT	112	G6
SPEEDOMETER	56	E2
STAND	106	G3
STEERING STEM	68	E8
STEP	104	G2
STRIPE	128	H2
SW. ARM	108	G4
SWITCHES	59	E3
TAILLIGHT	116	G8
TOOLS	126	H1
TOP BRIDGE	66	E7
TURN SIGNAL	114	G7
WHEEL, FR.	78	F1
WHEEL, RR.	82	F3
WIRE HARNESS	117	G8

# STRIPE



Color chart for stripe ('84)

Type	Main color	Position
		A
TYPE 1	Black/Pleiades silver metallic	Candy red
TYPE 2	Black/Canopus red metallic	Light silver

F14MB0E33T

# STRIPE

Color chart for stripe ('85)

Type	Main color	Position
		A
TYPE 1	Black	Candy red
TYPE 2		Candy blue

F14MB0E33 C

Ref. No.	BLOCK NO.	F-33	DESCRIPTION	V	V	A	FRAME SERIAL NUMBER	QTY	REQ	PART NUMBER	HONDA CODE
				7	7						
				0	0	C					
				8	8	O	FROM	TO			
				4	5	D					
			4 = VF700S'84 5 = VF700S'85								
			1 STRIPE, R. FUEL TANK (A.M.) *TYPE1*	4	--				1	17508-MB0-950ZA	1781319
			STRIPE, R. FUEL TANK (A.M.) *TYPE2*	4	--				1	17508-MB0-950ZB	1781327
			STRIPE, R. FUEL TANK (A.M.) *TYPE1*	--	5				1	17508-MB0-910ZA	1876556
			STRIPE, R. FUEL TANK (A.M.) *TYPE2*	--	5				1	17508-MB0-910ZB	1876564
			2 STRIPE, L. FUEL TANK (A.M.) *TYPE1*	4	--				1	17509-MB0-950ZA	1781335
			STRIPE, L. FUEL TANK (A.M.) *TYPE2*	4	--				1	17509-MB0-950ZB	1781343
			STRIPE, L. FUEL TANK (A.M.) *TYPE1*	--	5				1	17509-MB0-910ZA	1876572
			STRIPE, L. FUEL TANK (A.M.) *TYPE2*	--	5				1	17509-MB0-910ZB	1876580
			3 STRIPE, R. RR. COWL (A.M.) *TYPE1*	4	--				1	77216-MB0-950ZA	1782408
			STRIPE, R. RR. COWL (A.M.) *TYPE2*	4	--				1	77216-MB0-950ZB	1782416

H2

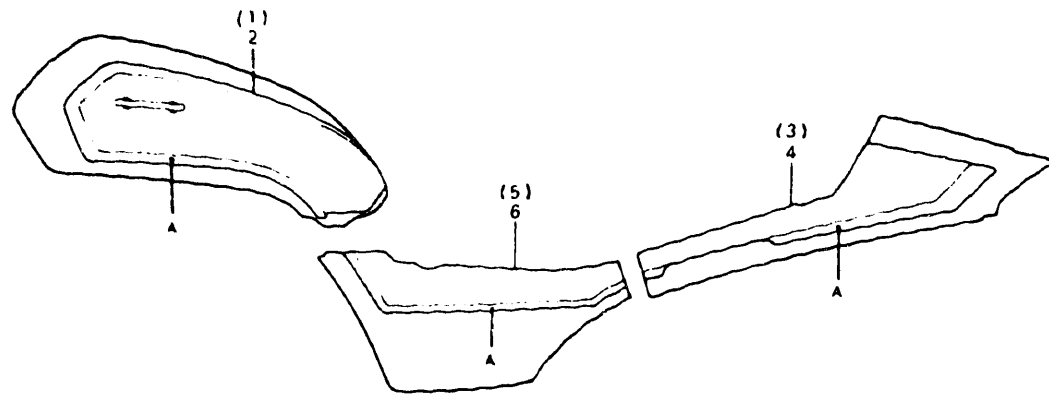
# CONTENTS

TITLE	PAGE	GRID
TACHOMETER	56	E2
AIR CLEANER	97	F10
BATTERY	95	F9
BRAKE CALIPER, FR.	76	E12
BRAKE MASTER, FR.	61	E4
BRAKE PANEL, RR.	80	F2
BRAKE PEDAL	102	G1
CABLES	59	E3
CANISTER (AC)	132	H4
CLUTCH MASTER CYLINDER	64	E6
CONTROL LEVER	59	E3
CYLINDER	61	E4
ELECTRIC PARTS	117	G8
FENDER, FR.	70	E9
FENDER, RR.	112	G6
FINAL DRIVEN GEAR	84	F4
FRAME	123	G11
FUEL TANK	87	F5
FUEL VALVE	87	F5
HANDLEBAR	66	E7
HEADLIGHT	54	E1
HORN	68	E8
MUFFLER	100	F12
RADIATOR	120	G10
SEAT	90	F7
SHIFT PEDAL	102	G1
SHOCK ABSORBER	110	G5
SHOCK ABSORBER, FR.	71	E9
SIDE COVER	92	F8
SPARK UNIT	112	G6
SPEEDOMETER	56	E2
STAND	106	G3
STEERING STEM	68	E8
STEP	104	G2
STRIPE	128	H2
SWINGARM	108	G4
SWITCHES	59	E3
TAILLIGHT	116	G8
TOOLS	126	H1
TOP BRIDGE	66	E7
TURN SIGNAL	114	G7
WHEEL, FR.	78	F1
WHEEL, RR.	82	F3
WIRE HARNESS	117	G8

GRID

H2

# STRIPE



Color chart for stripe ('84)

Type	Main color	Position
		A
TYPE 1	Black/Pleiades silver metallic	Candy red
TYPE 2	Black/Canopus red metallic	Light silver

F14MB0E33T

4 = VF700S'84  
5 = VF700S'85

Ref. No.	BLOCK NO.	F-33	VF700S		AREA CODE	FRAME SERIAL NUMBER		QTY REQ	PART NUMBER	HONDA CODE
			84	85		FROM	TO			
				5				1	77216-MB0-910ZA	1877117
				5				1	77216-MB0-910ZB	1877125
			4					1	77217-MB0-950ZA	1782424
			4					1	77217-MB0-950ZB	1782432
				5				1	77217-MB0-910ZA	1877133
				5				1	77217-MB0-910ZB	1877141
			4					1	83612-MB0-950ZA	1782481
			4					1	83612-MB0-950ZB	1782499
				5				1	83612-MB0-910ZA	1877208
				5				1	83612-MB0-910ZB	1877216
			4					1	83613-MB0-950ZA	1782507
			4					1	83613-MB0-950ZB	1782515
				5				1	83613-MB0-910ZA	1877224
				5				1	83613-MB0-910ZB	1877232

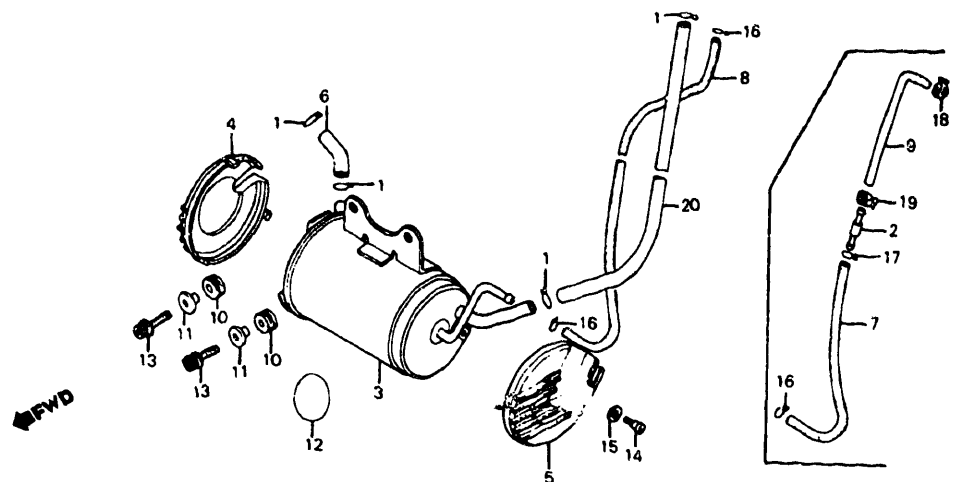
# CONTENTS

TITLE	PAGE	GRID
TACHOMETER	56	E2
AIR CLEANER	97	F10
BATTERY	95	F9
BRAKE CALIPER, FR.	76	E12
BRAKE MASTER, FR.	61	E4
BRAKE PANEL, RR.	80	F2
BRAKE PEDAL	102	G1
CABLES	59	E3
CANISTER (AC)	132	H4
CLUTCH MASTER CYLINDER	64	E6
CONTROL LEVER	59	E3
CYLINDER	61	E4
ELECTRIC PARTS	117	G8
FENDER, FR.	70	E9
FENDER, RR.	112	G6
FINAL DRIVEN GEAR	84	F4
FRAME	123	G11
FUEL TANK	87	F5
FUEL VALVE	87	F5
HANDLEBAR	66	E7
HEADLIGHT	54	E1
HORN	68	E8
MUFFLER	100	F12
RADIATOR	120	G10
SEAT	90	F7
SHIFT PEDAL	102	G1
SHOCK ABSORBER	110	G5
SHOCK ABSORBER, FR.	71	E9
SIDE COVER	92	F8
SPARK UNIT	112	G6
SPEEDOMETER	56	E2
STAND	106	G3
STEERING STEM	68	E8
STEP	104	G2
STRIPE	128	H2
SWINGARM	108	G4
SWITCHES	59	E3
TAILLIGHT	116	G8
TOOLS	126	H1
TOP BRIDGE	66	E7
TURN SIGNAL	114	G7
WHEEL, FR.	78	F1
WHEEL, RR.	82	F3
WIRE HARNESS	117	G8

GRID

H3

# CANISTER (AC)



F14MB0E34

4 = VF700S'84  
5 = VF700S'85

Ref. No.	BLOCK NO.	F-34	V F 7 0 0 S	V F 7 0 0 S	A R E A C O D E	FRAME SERIAL NUMBER		Q T Y	P A R T N U M B E R	H O N D A C O D E
						FROM	TO			
16	CLIP, TUBE, B8		4	--	AC	----	----	2	95002-02080	0250647
17	CLIP, TUBE, B10		--	5	AC	----	----	1	95002-02080	0250647
18	CLIP, TUBE, D8.5		--	5	AC	----	----	1	95002-02100	0250985
19	CLIP, TUBE, 10.5MM		--	5	AC	----	----	1	95002-40850-08	0665240
20	TUBE, 8X440		4	5	AC	----	----	1	95002-41050-08	0622357
								1	95005-80440-20	1877380

# CONTENTS

TITLE	PAGE	GRID
TACHOMETER	56	E2
AIR CLEANER	97	F10
BATTERY	95	F9
BRAKE CALIPER, FR.	76	E12
BRAKE MASTER, FR.	61	E4
BRAKE PANEL, RR.	80	F2
BRAKE PEDAL	102	G1
CABLES	59	E3
CANISTER (AC)	132	H4
CLUTCH MASTER CYLINDER	64	E6
CONTROL LEVER	59	E3
CYLINDER	61	E4
ELECTRIC PARTS	117	G8
FENDER, FR.	70	E9
FENDER, RR.	112	G6
FINAL DRIVEN GEAR	84	F4
FRAME	123	G11
FUEL TANK	87	F5
FUEL VALVE	87	F5
HANDLEBAR	66	E7
HEADLIGHT	54	E1
HORN	68	E8
MUFFLER	100	F12
RADIATOR	120	G10
SEAT	90	F7
SHIFT PEDAL	102	G1
SHOCK ABSORBER	110	G5
SHOCK ABSORBER, FR.	71	E9
SIDE COVER	92	F8
SPARK UNIT	112	G6
SPEEDOMETER	56	E2
STAND	106	G3
STEERING STEM	68	E8
STEP	104	G2
STRIPE	128	H2
SWINGARM	108	G4
SWITCHES	59	E3
TAILLIGHT	116	G8
TOOLS	126	H1
TOP BRIDGE	66	E7
TURN SIGNAL	114	G7
WHEEL, FR.	78	F1
WHEEL, RR.	82	F3
WIRE HARNESS	117	G8

Ref. No.	BLOCK NO.	F-34	V F 7 0 0 S	V F 7 0 0 S	A R E A C O D E	FRAME SERIAL NUMBER		Q T Y	P A R T N U M B E R	H O N D A C O D E
						FROM	TO			
1	CLIP, BREATHER TUBE		4	5	AC	----	----	4	15772-500-010	0346569
	CLIP, BREATHER TUBE		4	5	AC	----	----	4	15772-500-013	0484089
2	JOINT, FUEL TUBE		--	5	AC	----	----	1	16959-MB1-000	1244375
3	CANISTER COMP.		4	5	AC	----	----	1	17410-MB0-961	1781251
4	COVER, R. CANISTER		4	5	AC	----	----	1	17411-MB4-880	1707918
5	COVER, L. CANISTER		4	5	AC	----	----	1	17412-MB4-880	1726546
6	TUBE, CANISTER BREATHER		4	5	AC	----	----	1	17413-MB1-880	1724244
7	TUBE, CHARGE		--	5	AC	----	----	1	17414-MB0-920	1876481
8	TUBE, CHARGE		4	--	AC	----	----	1	17414-MB0-960	1798974
9	TUBE, BREATHER		--	5	AC	----	----	1	17415-MB0-920	1876499
10	RUBBER, CANISTER MOUNTING		4	5	AC	----	----	2	19051-MB4-880	1781509
11	COLLAR, CANISTER MOUNTING		4	5	AC	----	----	2	19052-MB4-880	1781517
12	LABEL, JACK UPPER WARNING		4	5	AC	----	----	1	87200-MB1-870	1777168
13	BOLT, FLANGE SOCKET, 6X25		4	5	AC	----	----	2	90097-MB4-880	1782614
14	SCREW, RR. COVER		4	5	AC	----	----	1	90114-GB6-920	1782630
15	WASHER, PLAIN, 6MM		4	5	AC	----	----	1	94101-06700	0294231

VF700S'84 ENGINE NO.; RC22E-2000008 TO 2005978  
 VF700S'84 FRAME NO.; RC220-EM000007 TO EM005012  
 VF700S'84 ENGINE NO.; RC22E-2002575 TO 2006097  
 VF700S'84 FRAME NO.; RC221-EM000006 TO EM001081

VF700S'85 ENGINE NO.; RC22E-2100001 TO 2103668  
 VF700S'85 FRAME NO.; RC220-FM100001 TO FM102800  
 VF700S'85 ENGINE NO.; RC22E-2100001 TO 2103285  
 VF700S'85 FRAME NO.; RC221-FM100001 TO FM100863

### Part Number Index

Part Number	Grnd	Page	Part Number	Grnd	Page	Part Number	Grnd	Page
(0)			12220-MB0-770	B3	6	13227-MB0-891	C4	33
			12220-MB0-771	B3	6	13227-MB0-892	C4	33
06430-415-000	F2	81	12230-MB0-000	B1	3	13228-MB0-003	C4	33
				B3	6	13228-MB0-891	C4	33
			12230-MB0-010	B2	4	13228-MB0-892	C4	33
(1)				B3	6	13300-MB1-870	C4	33
			12240-MB0-870	B2	4	13300-MB1-871	C4	33
11000-MB1-870	C1	26	12240-MB0-871	B2	4	13314-MB0-003	C4	33
11000-MB1-871	C1	26	12240-MN0-000	B2	4	13314-MB0-013	C4	33
11000-MB1-872	C1	26	12251-MB0-003	B2	4	13315-MB0-003	C4	33
11105-MB0-000	C1	26		B3	6	13315-MB0-013	C4	33
11140-MB0-000	C1	26		D1	50	13316-MB0-003	C4	33
11207-MB0-000	C1	26	12311-MB0-000	B1	2	13316-MB0-013	C4	33
11210-MB0-000	B11	23	12321-MB0-000	B1	2	13317-MB0-003	C4	33
11210-MB0-010	B11	23	12341-MB0-000	B1	2	13317-MB0-013	C4	33
11210-MK3-000	B11	23	12361-035-000	F4	84	13318-MB0-003	C4	33
11315-MB0-010	B11	23	12361-300-000	F4	84	13318-MB0-013	C4	33
	D1	51	12361-371-980	F4	84	14111-MB0-870	B4	8
			12391-MB0-000	B1	2	14111-MB0-872	B4	8
11350-MB0-770	B6	13		D1	50	14111-MB0-873	B4	8
11341-MB0-770	B10	20	12391-MB0-010	B1	2	14111-MB0-874	B4	8
11342-MB0-000	C9	42		D1	50	14121-MB0-870	B4	8
11343-MB0-000	B10	20	13011-MB0-771	C3	31	14121-MB0-872	B4	8
11344-MB0-000	B10	20	13011-MN0-305	C3	31	14121-MB0-873	B4	8
11345-MB0-000	C9	42	13101-MB1-870	C3	31	14121-MB0-874	B4	8
11394-MB0-000	B6	13	13111-GK8-000	B8	16	14131-MB0-870	B4	8
	D1	51	13111-GS7-000	B8	16	14131-MB0-872	B4	8
11631-MB0-000	B9	18	13111-MB0-000	C3	31	14131-MB0-873	B4	8
11631-MB0-505	B9	18	13111-MT3-000	C3	31	14131-MB0-874	B4	8
11636-MB0-000	B9	18	13111-122-000	B8	16	14141-MB0-870	B4	8
	D1	51	13201-MB1-870	C3	31	14141-MB0-872	B4	8
			13202-MB1-870	C3	31	14141-MB0-873	B4	8
11641-MB0-000	B9	18	13203-MB1-870	C3	31	14141-MB0-874	B4	9
11642-MB0-000	B9	18	13204-MB1-870	C3	31	14321-MB0-000	B5	10
	D1	51	13204-689-004	C4	33	14401-MB0-003	B5	10
			13205-MB1-870	C3	31	14510-MB0-870	B5	10
12204-MB0-405	B1	3	13205-634-010	C3	31	14510-MB0-871	B5	10
	B3	6	13206-MB1-870	C3	31	14510-MB0-872	B5	10
12209-422-005	B4	8	13207-MB1-870	C3	31	14510-MB0-873	B5	10
	D1	50	13208-MB1-870	C3	31	14510-MB0-874	B5	10
			13209-MB1-870	C3	31	14510-MK3-000	B5	10
12210-MB0-771	B1	3	13210-MB1-870	C3	31	14510-MN0-000	B5	11
12210-MB0-772	B1	3	13213-422-004	C4	33	14514-MB0-000	B5	11
12210-MB0-773	B1	3	13224-MB0-003	C4	33	14515-MB0-000	B5	11
12210-MB0-774	B1	3	13224-MB0-305	C4	33	14515-MB0-010	B5	11
12210-MB0-775	B1	3	13224-MB0-891	C4	33	14520-MB0-000	B5	11
12211-MB0-771	B1	3	13224-MB0-892	C4	33	14521-MB0-000	B5	11
	B3	6	13225-MB0-003	C4	33	14522-MB0-003	B5	11
12211-MB0-772	B1	3	13225-MB0-891	C4	33	14525-MB0-010	B5	11
	B3	6	13225-MB0-892	C4	33	14525-MB0-020	B5	11
12211-MB0-773	B1	3	13226-MB0-003	C4	33	14526-MB0-000	B5	11
	B3	6	13226-MB0-891	C4	33	14530-MB0-000	B5	11
12212-MB0-771	B1	3	13226-MB0-892	C4	33	14533-MB0-000	B5	11
	B3	6	13227-MB0-003	C4	33	14540-MB0-870	B5	11
12212-MB0-772	B1	3						
	B3	6						
12212-MB0-773	B1	3						
	B3	6						

### Part Number Index

Part Number	Grid	Page	Part Number	Grid	Page	Part Number	Grid	Page
14541-MB0-000	B5	11	16025-MK3-771	C10	44	16211-MB0-000	B2	4
14550-MB0-870	B5	11	16026-MB0-671	C10	44		B3	6
14550-MB0-871	B5	11	16027-MB2-004	C10	44	16214-MB0-000	B3	6
14560-MB0-870	B5	11	16028-KR3-671	C10	44	16219-MB0-770	B2	4
14560-MB0-871	B5	11	16028-MB0-671	C10	44		B3	7
14560-MB0-872	B5	11	16029-MB0-671	C12	48	16715-MB0-950	F5	87
14560-MB0-873	B5	11	16031-MB0-671	C10	44	16715-MB1-000	G10	120
14611-MB0-000	B4	9	16032-MB0-671	C10	44	16950-MB0-023	F5	87
14631-KE8-000	B4	9	16035-MB0-671	C10	44	16950-MB0-701	F5	87
14711-MB2-000	B4	9	16037-MB0-671	C12	48	16950-MB0-702	F5	87
14721-MB2-000	B4	9	16042-MB1-771	C10	44	16950-MB0-703	F5	87
14751-MB1-871	B4	9	16046-MA6-003	C12	48	16952-MB0-000	F5	87
14761-MB1-871	B4	9	16047-MB0-771	C10	45	16952-461-771	F5	87
14771-MB6-000	B4	9	16050-MB0-671	C12	48	16953-MB0-000	F5	87
14775-422-000	B4	9	16051-MB0-671	C12	48	16953-ME5-005	F6	88
14776-MB0-770	B4	9	16052-MB0-671	C12	48	16953-449-751	F5	87
14781-MB4-000	B4	9	16053-MB0-671	C12	49	16955-MB0-701	F6	88
15100-MB0-000	B11	23	16080-MB0-671	C10	45	16959-MB1-000	H4	132
15100-MB0-010	B11	23	16094-MB0-671	C10	45	16975-MB0-003	F6	88
15131-MB0-000	B7	14	16100-MB0-871	C10	45	17210-MB0-700	F10	97
15134-MB0-010	B11	23	16100-MB0-872	C10	45	17211-MB0-701	F10	97
15136-MB0-003	B11	23	16100-MB0-881	C10	45	17211-MB0-702	F10	97
15151-MB0-000	B11	23	16101-MB0-871	C10	45	17212-MB0-700	F10	97
15153-MB0-000	B11	23	16101-MB0-872	C10	45	17219-MB0-000	F10	97
15154-425-000	B11	23	16101-MB0-881	C10	45	17220-MB0-700	F10	97
15220-MB0-010	B11	23	16102-MB0-871	C10	45	17220-MB0-701	F10	97
15410-MJ0-003	B11	23	16102-MB0-872	C10	45	17220-MB0-890	F10	97
15410-MJ0-004	B11	23	16102-MB0-881	C10	45	17222-MN4-405	F10	97
15511-MB0-000	B11	23	16103-MB0-871	C10	45	17230-MB0-701	F10	97
15611-MB0-000	B6	13	16103-MB0-872	C10	45	17232-MB1-000	F10	97
15650-MB0-770	B6	13	16103-MB0-881	C10	45	17234-MB0-770	F10	97
15772-500-010	C11	47	16104-MB0-871	C10	45	17241-MB0-890	F11	98
	H4	132	16104-MB0-872	C10	45	17242-MB0-890	F11	98
15772-500-013	C11	47	16104-MB0-881	C10	45	17250-MB0-505	F11	98
	C12	48	16107-KE8-004	C12	49	17250-MB0-700	F11	98
	H4	132	16107-MB0-671	C12	49	17252-MB1-700	F11	98
15772-551-000	F10	97	16108-ME5-671	C12	49	17259-MB1-000	F11	98
15772-551-680	F10	97	16111-MB0-871	C12	49	17356-MB0-000	F11	98
16010-MB0-671	C12	48	16131-MB0-701	C12	49	17357-MB0-000	F11	98
16010-MB0-871	C12	48	16131-MB0-871	C12	49	17358-MB0-000	F11	98
16010-MB4-621	C12	48	16131-MB3-881	C12	49	17370-419-700	F11	98
16010-MB4-622	C12	48	16141-MB0-672	C10	45	17410-MB0-961	H4	132
16010-MB6-305	C12	48	16151-MB0-771	C12	49	17411-MB4-880	H4	132
16010-MB6-681	C12	48	16151-MB0-881	C12	49	17412-MB4-880	H4	132
16011-MB1-671	C12	48	16165-MB0-871	C12	49	17413-MB1-880	H4	132
16013-MB0-671	C12	48	16167-MB0-871	C12	49	17414-MB0-920	H4	132
16015-MB0-671	C12	48	16178-MB0-671	C10	45	17414-MB0-960	H4	132
16016-MF5-671	C12	48	16180-MB2-881	C10	45	17415-MB0-920	H4	132
16017-MB0-672	C10	44	16188-MB0-871	C11	46	17440-MB4-880	C11	46
16018-MB0-671	C10	44	16188-MB0-881	C11	46	17451-ME5-760	C11	46
16018-MK3-771	C10	44	16188-MB1-672	C11	46	175A1-MB0-910ZA	F6	88
16019-MB0-671	C10	44	16198-MB1-881	C11	46	175A1-MB0-910ZB	F6	88
16022-MB1-771	C10	44	16199-MB1-881	C11	46	175A1-MB0-920ZA	F6	88
16025-MB0-671	C10	44	16199-MB4-621	C11	46	175A1-MB0-920ZB	F6	89

### Part Number Index

Part Number	Grid	Page	Part Number	Grid	Page	Part Number	Grid	Page
175A1-MB0-950ZA . . . F6		88	19030-MB0-950 . . . G10		120	(2)		
175A1-MB0-950ZB . . . F6		88	19032-MB0-950 . . . G10		120	21100-MB0-870 . . . C9		42
175A1-MB0-960ZA . . . F6		88	19045-MB0-013 . . . G10		120	21200-MB0-000 . . . C9		42
175A1-MB0-960ZB . . . F6		88	19045-MB0-702 . . . G10		120	21291-MB0-770 . . . C9		42
17508-MB0-910ZA . . . H2		129	19051-KA4-000 . . . G10		120			
17508-MB0-910ZB . . . H2		129	19051-MB4-880 . . . H4		132	21301-MB0-000 . . . C9		42
17508-MB0-950ZA . . . H2		129	19052-MB0-000 . . . G10		120	21321-MB0-770 . . . C9		42
17508-MB0-950ZB . . . H2		129	19052-MB4-880 . . . H4		132	21322-MB0-770 . . . C9		42
17509-MB0-910ZA . . . H2		129	19101-MB0-890 . . . G10		120	21323-MB0-770 . . . C9		42
17509-MB0-910ZB . . . H2		129	19101-MB0-950 . . . G10		120	21324-MB0-770 . . . C9		42
17509-MB0-950ZA . . . H2		129	19102-MB0-000 . . . G10		120	21325-MB0-770 . . . C9		42
17509-MB0-950ZB . . . H2		129	19103-MB0-000 . . . G10		120	21371-MB0-000 . . . C9		42
17551-MB0-000 . . . F11		98	19103-463-000 . . . G10		121	21381-MB0-770 . . . C9		42
17552-MB0-000 . . . F11		98	19104-MB0-700 . . . G10		121	21382-MB0-770 . . . C9		42
17553-MB0-000 . . . F11		98	19106-MB0-700 . . . G10		121	21383-MB0-770 . . . C9		42
17554-MB0-000 . . . C1		26	19107-MB0-000 . . . G10		121	21384-MB0-770 . . . C9		42
	F11	98	19107-MB1-000 . . . G10		121	21385-MB0-770 . . . C9		43
17611-MB1-000 . . . F6		89	19108-MB0-000 . . . G10		121	22100-MB0-870 . . . B7		14
17612-MB0-700 . . . F6		89	19109-MB0-700 . . . G8		117	22100-MB0-871 . . . B7		14
17613-461-000 . . . F6		89	19110-MB0-950 . . . G10		121	22116-MB0-000 . . . B7		14
17620-MB0-951 . . . F6		89	19111-MB0-950 . . . G10		121	22120-MB1-770 . . . B7		14
17620-MB0-952 . . . F6		89	19113-MB0-000 . . . G10		121	22120-MN0-000 . . . B7		14
17620-MB0-961 . . . F6		89	19114-MB0-000 . . . G10		121	22201-MB0-003 . . . B7		14
17910-MB0-950 . . . E3		59	19115-MB0-000 . . . G10		121	22201-MM5-000 . . . B7		14
17920-MB0-950 . . . E3		59	19117-MB0-700 . . . G10		121	22321-MG8-000 . . . B7		14
17950-MB0-950 . . . E3		59	19125-MB0-701 . . . G11		123	22321-283-000 . . . B7		14
17962-KE8-700 . . . E3		59	19200-MB0-770 . . . B10		20	22350-MB0-003 . . . B7		14
17962-KE8-701 . . . E3		59	19200-MB0-771 . . . B10		20	22366-MB0-000 . . . B7		14
18231-MB0-000 . . . F12		100	19220-MB0-770 . . . B10		20	22401-MB0-000 . . . B7		14
18291-216-000 . . . D1		50	19226-MB0-000 . . . B10		20	22850-MB0-000 . . . B7		14
	F12	100	19300-MB0-003 . . . C8		40	22860-MB0-770 . . . B10		20
18300-MB0-951 . . . F12		100	19311-MB1-000 . . . C8		40	22862-MB0-770 . . . B10		20
18300-MB0-952 . . . F12		100	19315-MB0-770 . . . C8		40			
18300-MB0-953 . . . F12		100	19502-MB4-000 . . . C8		40	22863-MB0-003 . . . B10		20
18316-MB0-950 . . . F12		100	19503-MB1-870 . . . G10		121	22864-MB0-003 . . . B10		20
18330-MB0-950 . . . F12		100				22865-MB0-003 . . . B10		20
18370-MB0-003 . . . F12		100				22880-MB0-950 . . . E6		64
18373-MB0-003 . . . F12		100	19504-MB0-000 . . . C8		40	22884-MB0-006 . . . E6		64
18374-MB0-003 . . . F12		100	19506-KA4-000 . . . C8		40	22885-MB0-006 . . . E6		64
18376-MB0-950 . . . F12		100	19507-MB0-000 . . . C8		40	22886-MB0-305 . . . E6		64
18377-MB0-950 . . . F12		100	19508-MB0-000 . . . C8		40	22900-MB0-951 . . . E6		64
18391-313-000 . . . F12		100	19509-MB0-000 . . . C8		40	23103-MB0-870 . . . B7		14
18391-317-000 . . . F12		100	19511-MB1-000 . . . C8		40	23200-MB0-870 . . . C9		43
18391-317-010 . . . F12		100	19511-MB4-680 . . . C8		40	23211-MB0-000 . . . C6		36
18420-MB0-003 . . . F12		100	19512-MB3-003 . . . C8		40	23212-MB0-010 . . . C6		36
18420-MB0-890 . . . F12		101	19516-MJ8-000 . . . C8		40	23421-MB0-000 . . . C6		36
18421-MB0-000 . . . F12		101	19517-MB6-000 . . . C8		40	23422-MB0-000 . . . C6		36
18422-MB0-000 . . . F12		101	19520-MB0-000 . . . C8		40	23422-MB0-010 . . . C6		36
18430-MB0-950 . . . F12		101	19524-MB0-000 . . . C8		41	23431-MB0-010 . . . C6		36
19010-MB0-003 . . . G10		120	19526-MB1-000 . . . C8		41	23441-MB0-000 . . . C6		36
19010-MB0-702 . . . G10		120	19530-MB0-000 . . . C8		41	23442-MB0-000 . . . C6		36
19015-MB0-702 . . . G10		120	19534-MB2-000 . . . C8		41	23461-MB0-000 . . . C6		36
19015-MB1-013 . . . G10		120	19536-MB0-000 . . . C8		41	23462-MB0-000 . . . C6		36

### Part Number Index

Part Number	Grid	Page	Part Number	Grid	Page	Part Number	Grid	Page
23471-MB0-000 . . . C6		36	30400-MB1-871 . . . F8		92	32402-MB0-700 . . . F9		95
23481-MB0-000 . . . C6		36				32411-MB0-000 . . . F9		95
23491-MB0-000 . . . C6		36	30410-MB1-871 . . . G6		112	32411-230-000 . . . F9		95
23495-MB0-000 . . . C6		36	30510-MA6-013 . . . G8		117	32411-253-000 . . . F9		95
23501-MB0-010 . . . C6		36	30510-MB0-702 . . . G8		117	32412-MB0-000 . . . F9		95
23501-MN0-000 . . . C6		37	30510-MB0-703 . . . G8		117	32414-MB0-000 . . . F10		96
23511-MB0-000 . . . C6		37	30520-MB0-000 . . . G8		117	32601-MB0-700 . . . F10		96
23512-MB0-000 . . . C6		37	30751-MB0-950 . . . G8		117	32906-061-000 . . . C1		26
23521-MB0-010 . . . C6		37	30752-MB0-700 . . . G8		117	33100-MB4-671 . . . E1		54
24211-MB0-870 . . . C7		38	30752-MB0-960 . . . G8		117	33105-MB4-671 . . . E1		54
24212-MB4-000 . . . C7		38	30754-MB0-700 . . . G8		117	33120-ME5-670 . . . E1		54
24213-MB4-000 . . . C7		38	30754-MB0-960 . . . G8		117	33180-422-003 . . . E1		54
24261-MB0-010 . . . C7		38	31100-MB0-871 . . . B9		18	33400-MB0-406 . . . G7		114
24300-MB0-870 . . . C7		38	31110-MB0-870 . . . B9		18	33400-MB0-950 . . . G7		114
24302-MB1-870 . . . C7		38	31110-MB0-871 . . . B9		18	33400-MJ1-405 . . . G7		114
24305-MB6-000 . . . C7		38	31120-MB0-015 . . . B9		18			
24320-MB0-000 . . . C7		38	31120-MB0-025 . . . B9		18	33401-MF8-003 . . . G7		114
24321-MB0-000 . . . C7		38	31120-MB0-405 . . . B9		18	33402-MB1-003 . . . G7		114
24420-MB0-000 . . . C7		38	31120-MB0-415 . . . B9		18	33403-MB1-671 . . . G7		114
24430-MB0-000 . . . C7		38	31130-MB4-000 . . . B9		19	33405-MB1-405 . . . G7		114
24432-413-000 . . . C7		38	31200-MB0-008 . . . B11		22	33405-MB1-671 . . . G7		114
24434-MB0-000 . . . C7		38	31200-MB0-405 . . . B11		22	33407-MB1-003 . . . G7		114
24435-MB0-000 . . . C7		38	31201-KG7-000 . . . B11		22	33408-MB1-003 . . . G7		114
24436-MB0-000 . . . C7		38	31201-MA6-000 . . . B11		22	33450-MB0-950 . . . G7		114
24610-MB0-000 . . . C7		38	31204-MA6-000 . . . B11		22	33455-MB1-671 . . . G7		114
24641-MB0-010 . . . C7		39	31205-MB0-000 . . . B11		22	33490-MB1-700 . . . G7		114
24651-MB0-000 . . . C7		39	31206-KG7-000 . . . B11		22	33490-ME5-000 . . . G7		114
24652-259-000 . . . C7		39	31206-MA6-000 . . . B11		22	33518-SA2-003 . . . G8		116
24700-MB0-700 . . . G1		102	31207-179-711 . . . B11		22	33600-MJ1-670 . . . G7		115
24705-MB0-000 . . . G1		102	31500-415-601 . . . F9		95	33605-MJ1-000 . . . G7		115
24705-MT6-000 . . . G1		102	31500-415-671 . . . F9		95	33650-MJ1-670 . . . G7		115
24710-MB0-700 . . . G1		102	31500-425-671 . . . F9		95	33655-MJ1-000 . . . G7		115
24720-MB0-000 . . . G1		102	31500-425-677 . . . F9		95	33670-MB0-950 . . . G7		115
24724-422-000 . . . G1		102	31500-461-771 . . . F9		95	33680-MB0-950 . . . G7		115
24781-419-000 . . . G1		102	31500-461-772 . . . F9		95	33701-MB0-671 . . . G8		116
28101-MB0-000 . . . B8		16	31512-MB0-000 . . . F9		95	33705-MB0-003 . . . G8		116
28110-MB0-000 . . . B8		16	31513-MB0-000 . . . F9		95	33740-MB0-950 . . . G10		121
28110-MB0-010 . . . B8		16	31521-MB0-000 . . . F9		95	33741-MB0-950 . . . G10		121
28115-MB0-000 . . . B8		16	31600-MB0-008 . . . F8		92	34901-MC7-601 . . . E1		54
28120-MB1-870 . . . B8		16	31605-MB0-700 . . . F8		92	34901-MC7-601AH . . . E1		54
28125-516-030 . . . B8		16	31606-MB0-910 . . . F8		92	34905-268-671 . . . G7		115
28126-415-000 . . . B8		16	31700-124-003 . . . G8		117	34905-425-671 . . . G7		115
			31700-124-008 . . . G8		117	34906-MG9-771 . . . G8		116
			32100-MB0-910 . . . G9		118	34906-341-671 . . . G8		116
			32100-MB0-920 . . . G9		118	34908-GA7-701 . . . E2		56
			32100-MB0-950 . . . G8		117	34908-MB0-003 . . . E2		56
			32100-MB0-960 . . . G9		118	35010-MB0-910 . . . E7		67
			32106-MB0-950 . . . E8		68	35010-MB0-920 . . . E7		67
			32126-463-770 . . . G9		118	35010-MB0-950 . . . E7		67
			32127-MB0-701 . . . G9		118	35010-MB0-960 . . . E7		67
			32161-404-000 . . . E3		59	35100-MB0-911 . . . E7		67
						35100-MB0-950 . . . E7		67
						35101-MB0-910 . . . E7		67
						35101-MB0-950 . . . E7		67



## Part Number Index

Part Number	Grid	Page	Part Number	Grid	Page	Part Number	Grid	Page
35121-KW3-771	E7	67	37450-MB0-950	E2	57	41332-415-000	F4	84
35121-MA6-811	E7	67	37600-MB0-912	E2	57	41333-415-000	F4	84
35122-KW3-771	E7	67	37600-MB0-913	E2	57	41410-ME5-000	F4	84
35122-MA6-811	E7	67	37600-MB0-950	E2	57	41433-MB0-010	F4	84
35130-MB0-910	E3	59	37610-MB4-671	E2	57	41436-MB0-310	F4	84
35130-MB0-911	E3	59	37617-MB4-671	E2	57	41437-MB0-310	F4	85
35130-MB3-670	E3	59	37618-MB4-671	E2	57	41438-MB0-310	F4	85
35130-MB3-770	E3	59	37750-PC1-004	C8	41	41450-MB0-000	F4	85
35130-MB4-681	E3	59	37760-MB4-770	G10	121	41451-MB0-000	F4	85
35200-MB0-950	E3	59	38010-MB0-950	G9	118	41452-MB0-000	F4	85
35200-MB0-951	E3	59	38010-MB0-960	G9	118	41453-MB0-000	F4	85
35330-MB0-003	E6	64	38011-MB0-960	G9	118	41454-MB0-000	F4	85
35340-MA5-671	E4	61	38020-MB0-700	G9	118	41455-MB0-000	F4	85
35340-ML7-000	E4	61	38020-MB0-960	G9	118	41456-MB0-000	F4	85
35340-MM5-600	E4	61	38021-MB0-960	G9	118	41460-371-000	C6	37
35350-MB0-000	G1	102	38025-MB0-700	G9	118	41510-MB0-003	F4	85
35350-ME9-405	G1	102	38030-MB0-700	G9	118	41530-MB0-000	F4	85
35350-ME9-770	G1	102	38040-MB0-700	G9	118	41531-MB0-000	F4	85
35357-425-610	G1	102	38110-MB0-951	E8	68	41532-MB0-000	F4	85
35500-MB9-004	C1	26	38120-MB0-891	E8	68	41533-MB0-000	F4	85
35500-MJ0-004	C1	26	38120-MB0-951	E8	68	41534-MB0-000	F4	85
35500-MJ4-004	C1	26	38200-MB0-005	F8	92	41535-MB0-000	F4	85
35500-MJ4-014	C1	26	38200-MB0-911	F8	92	41536-MB0-000	F4	85
35500-MJ4-024	C1	26	38202-MB0-000	F8	92	41537-MB0-000	F4	85
35759-MB0-700	B9	19	38215-MB0-910	F8	92	41538-MB0-000	F4	85
35850-MB0-007	F10	96	38216-MB0-960	G9	118	42301-MB0-700	F2	80
35852-MB0-007	F10	96	38235-SA5-004	F8	92	42313-MB0-700	F2	80
35856-MB0-007	F10	96	38301-MF8-771	G6	112	42615-MB0-700	F3	82
37101-MB1-008	E2	56	38306-KJ6-740	G6	112	42620-MB0-000	F3	82
37102-MB0-008	E2	56				42625-MB0-000	F4	85
37102-MB1-008	E2	56	(4)			42650-MB0-700	F3	82
37102-567-009	E2	56				42704-MB0-000	F1	78
37105-MB0-911	E2	56					F3	82
37105-MB0-950	E2	56	40200-MB0-023	G4	108	42705-MB0-000	F1	78
37106-MB0-911	E2	56	40211-MB0-000	G4	108		F3	82
37106-MB0-950	E2	56	40212-MB0-000	G4	108	42706-MB0-000	F1	78
37120-MB0-911	E2	56	40213-MB0-010	G4	108		F3	82
37120-MB4-671	E2	56	40214-MB0-010	G4	108	42710-MB0-671	F3	82
37200-MB0-911	E2	56	40215-MB0-003	G4	108	42710-MB0-672	F3	82
37200-MB1-871	E2	56	40216-MB0-000	G4	108	42710-MB0-912	F3	82
37202-MB0-950	E2	57	40217-MB0-010	G4	108	42710-MB3-672	F3	82
37202-MB0-951	E2	57	40218-MB0-000	G4	108	42710-MB3-673	F3	82
37203-MB1-870	E2	57	40219-MB0-000	G4	108	42753-425-003	F1	78
37204-MB1-008	E2	57	40221-MB0-000	G4	108		F3	82
37220-MB4-671	E2	57	40250-MB0-020	G4	108	42753-425-004	F1	78
37237-SA5-003	E2	56	40515-413-000	G2	104		F3	82
37237-SA5-004	E2	56	41300-MB0-870	F4	84	431A2-415-000	F2	81
37250-MB0-911	E2	57	41301-MB0-870	F4	84		F3	82
37250-MB1-871	E2	57	41306-MB0-010	F4	84	43100-MB0-951	F2	80
37252-MB0-950	E2	57	41306-ME5-305	F4	84	43102-319-000	F2	80
37252-MB0-951	E2	57	41310-MB0-305	F4	84	43106-222-300	F2	80
37254-MB1-008	E2	57	41321-ME5-770	F4	84	43120-415-000	F2	80
37450-MB0-911	E2	57	41324-MB0-010	F4	84	43134-300-000	F2	80
37450-MB0-912	E2	57	41331-MB0-000	F4	84	43141-MB0-000	F2	80

## Part Number Index

Part Number	Grid	Page	Part Number	Grid	Page	Part Number	Grid	Page
43145-415-000	F2	80	45133-329-000	F2	80	50242-MB0-000	G12	124
43352-568-003	B10	20	45200-MB0-701	E12	77	50328-MB0-000	F10	96
	C8	41	45200-MB0-702	E12	77	50356-MB0-000	G12	124
	E12	76	45200-MB0-911	E12	77	50358-MB0-000	G12	124
43353-461-771	B10	20	45200-MB0-912	E12	77	50361-MB0-000	G12	124
	C8	41	45201-MA3-006	E12	77	50362-MB0-000	G12	124
	E12	76	45209-166-006	E12	77	50363-MB0-000	G12	125
43410-MB0-950	F2	80	45210-445-632	E12	77	50500-MB0-000	G3	106
43451-MB0-950	G1	102	45215-MA3-006	E12	77	50522-MB0-000	G3	106
43452-KB4-000	G1	102	45217-MA3-006	E12	77	50526-MB0-000	G3	106
44301-KR3-901	F1	78	45217-MJ0-006	E12	77	50527-MB0-000	F12	101
44301-MC5-000	F1	78	45251-MJ1-670	F1	79	50540-MB0-000	G3	106
44311-MC5-010	F1	78	45351-MJ1-670	F1	79	50540-MB0-010	G3	106
44620-MB0-000	F1	78	45469-399-000	G5	110	50541-MB0-000	G3	106
44650-MB0-315	F1	78	45500-MJ6-006	E4	61	50545-MB0-700	G3	106
44650-MB0-325	F1	78	45512-MA6-006	E4	61	50548-356-700	G3	106
44680-410-000	F1	78		E6	64	50549-356-700	G3	106
44710-MB0-671	F1	78	45513-KE5-026	E4	61	50574-MB0-000	G3	106
44710-MB0-672	F1	79		E6	64	50603-033-000	G2	104
44710-MB3-673	F1	79	45517-MB0-006	E4	61	50612-MB0-000	G2	104
44800-MB0-013	F1	79		E6	64	50613-MB0-700	G2	104
44806-MB0-003	F1	79	45518-MB4-671	E4	61	50614-MB0-700	G2	104
44809-402-000	F1	79		E6	64	50616-MB0-000	G2	104
44830-ME5-000	E2	57	45520-MA5-672	E4	61	50617-195-000	G2	104
44831-ME5-300	E2	57		E6	64	50618-MB1-000	G2	104
451A0-MJ1-670	E12	77	45522-422-000	E4	61	50618-MB0-000	G2	104
	F1	78		E6	64	50619-MB0-000	G2	104
45100-MB0-701	E12	76	45530-MA5-671	E5	62	50630-MB0-700	G2	104
45100-MB0-702	E12	76	46500-MB0-000	G1	102	50640-MB0-700	G2	104
45100-MB0-911	E12	76	46510-MB0-700	G1	102	50642-MB0-000	G2	104
45100-MB0-912	E12	76	46514-MB0-000	G1	102	50661-MB0-000	G2	104
45101-MA3-006	E12	76				50680-MB0-000	G2	104
45105-MB1-701	E12	76	(5)			50690-MB0-000	G2	104
45105-MB1-702	E12	76				50710-MB0-700	F7	90
45105-MJ1-672	E12	76	50100-MB0-910ZA	G11	123	50711-MB0-000	G2	104
45105-MJ1-673	E12	76	50100-MB0-920ZA	G11	123	50712-MB0-000	G2	105
45107-MA3-006	E12	76	50100-MB0-951ZA	G11	123	50714-MB0-000	G2	105
45108-MA3-006	E12	77	50100-MB0-961ZA	G11	123	50715-MB0-000	G2	105
45109-166-006	E12	77	50178-MB0-000	G11	123	50715-MJ1-000	G2	105
45110-MB7-611	E12	77	50184-MB0-700	G11	123	50740-MB0-000	G2	105
45111-MA3-006	E12	77	50189-MB0-700	G11	123	50750-MB0-000	G12	125
45112-445-631	E12	77	50201-MB0-000	G11	123	51400-MB0-952	E9	71
45113-MB7-610	E12	77	50202-MB0-000	G11	123	51401-MB0-951	E9	71
45114-MB7-610	E12	77	50203-MB0-000	G11	123	51402-MC5-003	E9	71
45124-MB0-910	E4	61	50203-MB0-010	G11	123	51403-MA0-771	E9	71
45125-MB0-910	E4	61	50206-MB0-000	G12	124	51403-MA6-003	E9	71
45125-MB0-950	E4	61	50210-MB0-910ZA	G12	124	51404-MA6-003	E9	71
45126-MB0-950	E4	61	50210-MB0-911ZA	G12	124	51405-MA6-003	E9	71
45127-MA1-003	E4	61	50210-MB0-920ZA	G12	124	51405-MC7-003	E9	71
45128-ME2-003	F1	79	50210-MB0-921ZA	G12	124	51406-MB1-771	E9	71
45131-MA3-006	E12	77	50210-MB0-950ZA	G12	124	51410-MB0-951	E9	71
45133-MA3-006	E12	77	50228-MB0-000	C8	40	51412-ME1-C71	E9	71
45133-166-016	E12	77				51412-461-000	E9	71
						51412-461-305	E9	71
						51414-461-003	E9	71

## Part Number Index

Part Number	Grid	Page	Part Number	Grid	Page	Part Number	Grid	Page
51415-MC5-003	E9	71	52472-MC7-003	G5	110	77102-MB0-000	F7	90
51415-MC5-013	E9	71	52474-MB0-910	G5	111	77103-MB0-000	F7	90
51415-461-003	E10	72	52475-MB0-910	G5	111	77150-MB0-000	F7	90
51417-ME1-671	E10	72	52477-MC7-013	G5	111	77151-MB0-700	F7	90
51417-MJ0-013	E10	72	52485-MB0-305	G5	111	772A0-MB0-910ZA	F7	90
51418-ME1-671	E10	72	52611-MB0-003	G5	111	772A0-MB0-910ZB	F7	90
51421-MB0-771	E10	72	53100-MB0-950	E7	67	772A0-MB0-950ZA	F7	90
51423-MB1-771	E10	72	53105-MB0-950	E7	67	772A0-MB0-950ZB	F7	90
51432-461-771	E10	72	53141-300-010	E3	59	77211-MB0-000	F7	90
51433-MB0-003	E10	72	53165-390-780	E3	59	77216-MB0-910ZA	H3	131
51434-MC7-003	E10	72	53166-390-780	E3	59	77216-MB0-910ZB	H3	131
51435-MC7-003	E10	72	53175-MJ6-006	E5	62	77216-MB0-950ZA	H2	129
51436-MB1-771	E10	72	53178-KE8-006	E6	64	77216-MB0-950ZB	H2	129
51437-MA0-771	E10	72	53200-MB0-950	E8	68	77217-MB0-910ZA	H3	131
51440-MB0-003	E10	72	53213-MB4-771	E8	68	77217-MB0-910ZB	H3	131
51440-MB0-771	E10	72	53214-371-010	E8	68	77217-MB0-950ZA	H3	131
51441-MC7-003	E10	73	53220-422-000	E8	68	77217-MB0-950ZB	H3	131
51442-MC7-003	E10	73	53220-460-840	E8	68	77240-MB0-000	F7	90
51444-MB1-771	E10	73	53223-371-010	E8	68	77241-MB0-000	F7	91
51445-MC7-003	E10	73	53230-MB0-305	E7	67	77310-MB0-950	F7	91
51447-461-003	E10	73	53230-MB0-950	E7	67			
51448-MB1-771	E10	73	53235-MB0-305	E7	67			
51450-MB0-003	E10	73	53235-MB0-950	E7	67			
51456-469-013	E10	73	53235-ML4-000	E7	67			
	G5	110	53236-MB0-305	E7	67	(8)		
51457-MB0-003	E10	73	53240-MB0-000	E10	73	80100-MB0-000	G6	112
51490-KAZ-003	E10	73	53613-MB0-000	F8	92	80101-MB0-000	G6	112
51490-MC5-305	E10	73				80105-MB0-951	G6	112
51490-MC5-315	E10	73				80106-MB0-700	G6	112
51496-MC7-670	E10	73	(6)			80110-MB0-000	G6	112
51500-MB0-952	E10	73				80110-147-000	G6	112
51510-MB0-951	E10	73	61100-MB0-950ZA	E9	70	83500-MB0-000	F8	92
51521-MB0-951	E10	73	61105-MA3-000	F8	92	83507-422-000	F8	92
51530-MB1-771	E10	73	61301-MB0-950	E1	54	83508-KBG-000	F8	92
51532-MB1-771	E10	73	61302-MB4-003	E1	54	83508-438-000	F8	92
51540-MC5-003	E10	73	61303-MB4-003	E1	54	83551-300-000	F8	92
52100-MB0-910ZA	G4	108	61304-MB4-003	E1	54	836A0-MB0-910ZA	F8	93
52100-MB0-950ZA	G4	108	61304-958-003	F11	99	836A0-MB0-910ZB	F8	93
52105-MB0-000	G4	109	61305-MB0-950	E8	68	836A0-MB0-950ZA	F8	93
52112-MA1-300	G4	109	61306-MB0-950	E8	68	836A0-MB0-950ZB	F8	93
52120-MB0-000	G4	109	61307-MB0-950	E8	68	83601-MB0-000	F8	93
52400-MB0-911	G5	110	61308-MB0-950	E8	68	83602-MB0-000	F6	89
52400-MB0-951	G5	110	61309-MB0-950	E8	68	83612-MB0-910ZA	H3	131
52406-MA1-731	G5	110	61312-MB0-951	E1	54	83612-MB0-910ZB	H3	131
52425-169-003	G5	110	61313-MB0-951	E1	54	83612-MB0-950ZA	H3	131
52452-MA1-731	G5	110	61401-MB0-950	E8	68	83612-MB0-950ZB	H3	131
52453-MA2-771	G5	110	61402-MB0-700	F11	99	83613-MB0-910ZA	H3	131
52460-MB0-910	G5	110	61403-MB0-700	F11	99	83613-MB0-910ZB	H3	131
52462-MB0-000	G5	110					H4	132
52463-MC7-013	G5	110				83613-MB0-950ZA	H3	131
52464-MB0-701	G5	110	(7)			83613-MB0-950ZB	H3	131
52464-MB0-911	G5	110				83615-303-000	F8	93
52470-MB0-010	G5	110	77100-MB0-910	F7	90	837A0-MB0-910ZA	F8	93
52470-MB0-910	G5	110	77100-MB0-950	F7	90	837A0-MB0-910ZB	F8	93

## Part Number Index

Part Number	Grid	Page	Part Number	Grid	Page	Part Number	Grid	Page
837A0-MB0-950ZA	F8	93	90006-MB0-010	B3	7	90115-MB0-000	G3	106
837A0-MB0-50ZB	F8	93	90011-MB0-770	B2	4	90115-463-000	G7	115
84110-MB0-890	G6	112		B3	7	90116-283-010	E10	73
84110-MB0-950	G6	112	90012-MB0-003	B2	4	90117-MB0-000	E5	62
84120-MB0-890	G6	112		B3	7		E6	64
84120-MB0-950	G6	112	90012-MB0-013	B2	4	90118-MB4-000	F12	101
84701-MB0-670	G6	112		B3	7	90118-MC7-003	E10	73
87121-MB0-000	F6	89	90014-MB0-010	C1	26	90118-471-000	F12	101
87121-MB0-910ZA	F6	89	90014-MB6-680	C1	26	90121-MB0-000	G4	109
87121-MB0-910ZB	F6	89	90015-MB0-000	C1	27	90122-MB0-000	G4	109
87122-MB0-000	F6	89	90016-MB0-000	C1	27	90125-ME5-000	F4	85
87122-MB0-910ZA	F6	89	90017-369-690	G12	125	90130-MC7-000	F3	82
87122-MB0-910ZB	F6	89	90017-369-690	G12	125	90133-MB0-000	F4	85
87127-MB0-000	F8	93	90019-MB0-000	B11	23	90134-371-000	F4	85
87127-MB0-910ZA	F8	93	90021-KE8-000	B12	24	90141-MB0-000	F11	99
87127-MB0-910ZB	F8	93	90023-HA7-670	B8	17	90145-KE8-000	E5	62
87129-MB0-670	F7	91		B9	19		E6	65
87129-MB0-910ZA	F7	91	90023-428-000	B8	17	90145-KM3-750	E5	62
87129-MB0-910ZB	F7	91		B9	19		E6	65
87135-MB0-960	F8	93	90025-MB0-771	B2	4	90145-MB0-010	E5	62
87200-MB1-870	H4	132	90026-ME9-000	B5	11	90145-MG5-670	E5	62
87505-MB0-670	G4	109	90026-MM8-000	B5	11	90145-VM0-000	E5	62
87505-MB0-910	G4	109	90041-MB0-000	C7	39		E6	65
87506-MB0-670	G12	125	90045-MB2-000	B2	5	90145-961-010	E5	62
87507-371-671	G10	121	90049-MB0-000	C9	43		E6	65
87508-415-670	F8	93	90051-MB0-000	B10	21	90151-MB0-000	E7	67
87511-323-670	F7	91	90061-MB0-000	C9	43	90152-MB0-000	E8	69
87512-MA4-670	F7	91	90062-MB0-000	C9	43		G12	125
87517-MB0-770	F6	89	90063-MB0-003	C9	43	90153-MB0-000	E10	73
87517-MB0-770ZC	F6	89	90063-235-000	B2	5	90153-MB0-405	E10	73
87518-MB0-770	F8	93		B3	7	90154-MB0-000	G5	111
87560-181-760ZD	F6	89	90065-MB0-000	G1	103	90157-MB0-000	G5	111
88110-MB0-003	E4	60	90071-MB0-000	B11	22	90158-MB0-020	G4	109
88120-MB0-003	E4	60	90097-MB4-880	H4	132	90158-MB1-000	F12	101
89010-MB0-670	H1	126	90101-MB0-000	G12	125	90159-MB0-000	G5	111
89101-300-010	H1	126	90101-MG9-003	G10	121	90163-MB0-000	G5	111
89103-371-000	H1	126	90102-MB0-000	G12	125	90164-460-840	E12	77
89216-MB0-000	H1	126	90102-434-671	E2	57	90170-MB0-000	F4	85
89221-MB0-000	H1	126	90103-MB0-000	G1	103	90180-MA3-006	E12	77
89221-429-000	H1	126	90104-MB0-000	G12	125	90180-MA3-660	E12	77
89222-371-000	H1	126	90104-MJ1-000	E7	67	90183-438-000	E1	54
89227-461-000	H1	126	90105-ME2-000	F1	79	90185-MC7-013	E12	77
			90106-MB2-000	E1	54	90185-371-000	E7	67
			90106-MF2-010	F1	79	90186-MB0-000	F7	91
			90107-MB0-000	G2	105	90187-MB0-000	G6	113
			90108-MB0-000	G3	106	90201-MB0-770	B7	14
			90109-KE8-003	G5	111	90201-415-000	E5	63
			90109-MB0-000	G2	105		E6	64
			90109-ME5-770	F4	85		E6	65
			90110-MB0-000	G12	125		E7	66
			90110-ME4-000	E1	54		G9	119
			90114-GB6-920	H4	132	90201-700-000	G1	103
			90114-MA5-671	E5	62	90203-MB0-000	B7	15
				E6	64	90206-590-000	B4	9
90001-MB0-000	B2	4						
	B3	7						
90002-MB1-870	B4	9						
90003-MB0-770	B2	4						
	B3	7						
90003-MB2-000	F12	101						
90004-422-000	C9	43						
90006-MB0-010	B2	4						

## Part Number Index

Part Number	Grid	Page	Part Number	Grid	Page	Part Number	Grid	Page
90208-425-870	G12	125	90506-634-000	G6	113	91204-MB0-003	C9	43
90241-MB0-000	C9	43		G8	116	91204-MB0-013	C9	43
90242-MB0-000	C9	43	90510-107-720	B8	17	91204-425-003	C1	27
90302-425-830	E8	69	90525-001-000	C1	27	91205-MB0-771	C9	43
90303-MB1-000	E2	57	90541-MB0-000	B1	2	91205-MG7-003	C9	43
90304-GA6-003	G5	111	90542-MB0-000	B1	2	91209-MB0-003	B10	21
	G6	112		B1	3	91210-MB0-003	C1	27
90304-KA2-000	E7	67	90543-273-000	E10	73	91210-MB0-013	C1	27
90304-438-000	F12	101	90544-283-000	E10	73	91252-MC7-003	F1	79
90305-MC0-003	F4	85	90545-300-000	B2	5	91254-KAZ-003	E10	73
90308-ME5-000	G4	109		D1	50	91254-MA1-731	G5	111
90312-MB0-700	G4	109		E5	62	91254-461-003	E10	73
90313-MB0-000	G4	109		E6	65	91254-461-004	E10	73
90315-504-000	F8	93	90557-MB0-000	F12	101	91257-MC7-003	G5	111
90324-MB0-700	F6	89	90558-MB0-000	C6	37	91258-410-013	F1	79
90355-469-000	G4	109	90601-300-000	C6	37	91261-MB0-003	F5	86
90380-MB2-000	G7	115	90601-438-730	E10	73	91261-MB0-005	F5	86
90381-MB0-010	F4	85	90651-MA5-671	E5	62	91262-MB2-005	G5	111
90402-428-000	B4	9	90651-377-003	E6	65	91265-MB0-003	F5	86
90405-463-000	B5	11	90672-SA0-003	G9	119	91268-463-003	G4	109
90407-MB0-000	C7	39	90701-MB4-000	B12	24	91271-MB0-000	G4	109
90425-300-000	B10	21	90702-MB0-000	B8	17	91271-MB0-003	G4	109
	D1	51	90703-MB0-000	C9	43	91271-MB0-004	G4	109
90431-MB0-000	F7	91	90704-MB0-000	B5	11	91271-MB0-013	G4	109
90432-MB0-000	B7	15	90741-413-000	C5	35	91271-MK3-003	G4	109
90432-MB0-010	B7	15	90841-001-000	G12	125	91301-MB0-000	C8	41
90439-MB0-000	B10	21	91008-KK6-000	B7	15		D1	51
90441-028-010	G12	125	91008-300-008	C9	43	91301-PC9-003	B12	24
90452-323-000	B2	5	91008-362-000	B7	15	91301-027-000	E2	57
	B3	7	91008-374-003	C7	39	91301-147-023	C8	41
90452-371-000	C6	37	91010-HC0-003	B7	15		D1	51
90453-MB0-770	C6	37	91011-MB0-003	C9	43	91301-250-000	B6	13
90454-428-000	C6	37	91011-MB0-004	C9	43		D1	51
90455-MB0-770	C6	37	91012-MB0-003	C9	43	91301-469-003	E10	73
90456-MB0-770	C6	37	91015-KT8-005	E8	69		G5	111
90457-MB0-770	C6	37	91015-MB4-771	E8	69	91302-MB0-013	B10	21
90459-MB0-000	B7	15	91016-KT8-005	E8	69		D1	51
90461-286-000	C6	37	91016-MB4-771	E8	69	91302-MC7-611	E12	77
90461-357-000	B2	5	91022-MB0-003	B8	17	91302-001-020	F5	86
	C1	27	91022-MB0-004	B8	17	91305-MC7-003	E11	74
90462-323-000	C6	37	91022-415-008	C6	37	91305-323-000	E10	73
90471-580-000	F4	85	91024-MB0-003	B7	15		G5	111
90481-259-000	B7	15	91024-MB0-004	B7	15	91306-MC7-003	E11	74
90485-KE8-000	B5	11	91051-MB0-005	F4	85	91306-PJ4-000	E2	57
90486-MB0-000	B5	11	91051-719-003	C7	39		E11	74
90487-MB0-000	C7	39	91052-MB0-003	F4	85	91307-MB0-003	C8	41
90488-MB0-000	B12	24	91052-MB0-005	F4	85		D1	51
	C7	39	91058-MG9-680	E7	67	91307-PH7-660	G10	121
90489-MB0-000	C7	39	91058-MG9-681	E7	67	91307-425-003	B6	13
90501-MB0-000	B12	25	91061-MB0-005	F4	85		D1	51
90502-MB0-000	G12	125	91062-MB0-013	F5	86	91307-611-000	G10	121
90503-428-900	E7	67	91066-MC7-004	G4	109	91308-MB0-003	C9	43
90506-425-830	E8	69	91101-MB0-003	C7	39		D1	51
90506-634-000	F7	91	91101-516-000	B8	17	91308-MC7-003	E11	74

## Part Number Index

Part Number	Grid	Page	Part Number	Grid	Page	Part Number	Grid	Page
91308-283-000	B12	24	92000-06020-4J	G9	119	93700-03006-0G	F6	89
91309-MA6-000	B11	22	92100-06016-0A	G2	105	93700-04008-0B	E3	58
91309-MB0-003	B12	24	92100-06016-0H	F7	91	93700-05020-0G	E3	58
	D1	51		G6	113	93892-04008-08	F6	89
91310-KE8-003	B4	9		G8	116	93892-04010-00	C11	46
	B5	10		G8	117	93892-04014-00	C11	46
	D1	50	92101-06008-0A	E11	74	93892-04016-00	C12	49
	D1	51	92101-06012	F5	86	93892-05008-08	C11	46
91310-MC7-003	E2	57	92101-06012-0A	F5	86	93892-05012-00	C11	46
	E11	74	92101-06016-0A	G2	105	93892-05012-07	F11	99
91311-MB0-003	B12	24	92101-06020-4J	G9	119	93892-05020-07	E4	60
	D1	51	92300-05012-0A	E1	54	93892-05028-07	E4	60
91311-PH7-003	E11	74	92301-05012-0A	E1	55	93892-05045-07	E4	60
91313-MB0-003	B12	24	92600-06020-0G	F6	89		E4	61
	D2	52	92700-06045	B2	5	93893-04008-08	G10	121
91313-MG7-004	B12	24		B3	7	93893-04012-08	E5	62
	D2	52	92700-06045-0E	B2	5		E6	65
91313-393-003	B12	24		B3	7	93893-04012-18	E5	63
91314-MB0-003	C1	27	92700-08050-3B	E11	74		E6	65
	D2	52	92800-12000	B12	24	93893-05010-08	G10	121
91314-MJ0-000	C9	43	92900-06032-0B	B2	5	93893-05012-07	G12	125
	D2	52		B3	7	93893-06012-07	G10	121
91314-300-000	C9	43	92900-06032-0E	B2	5	93893-06016-08	G9	119
	D2	52		B3	7	93893-06020-08	F11	99
91315-MB0-013	C8	41	92900-08028-3B	E11	74	93901-22180	G11	122
	D2	52	93401-06025-00	B8	17	93901-32220	E3	58
91316-MJ8-003	B6	13	93491-06025-00	B8	17	93901-34320	G7	115
91318-ME5-003	E11	74	93493-06012-07	G10	121	93901-34680	G7	115
	G5	111	93494-06025-08	G10	121	93903-14320	G6	113
91320-MB0-000	B11	22	93500-03010-0G	E2	57	93903-36120	F7	91
91335-567-000	C8	41	93500-03020	E2	57	94001-03000-0S	E3	58
	D2	52	93500-03020-0A	E2	57	94001-06000-0S	E3	58
91353-MB0-003	F5	86	93500-03020-1A	E2	57	94001-06200-0S	E3	58
91355-MB0-003	F5	86	93500-04006-0H	F8	93	94002-03000-0S	E3	58
91355-MB0-005	F5	86		F10	96	94002-06000-0S	G1	103
91356-MB0-005	F5	86	93500-04006-1H	F8	93	94002-06020-0S	G1	103
91356-371-000	E11	74		F10	96	94002-06200	C7	39
91357-MB0-000	F3	83	93500-04010-0A	C12	49	94002-10070-0S	G3	106
91358-MB0-000	F3	83	93500-04010-0H	B8	17	94021-08020-0S	E3	58
91359-MB0-000	F5	86	93500-05008-0G	B2	5	94030-08000	E11	75
91361-MB0-000	G4	109		B3	7	94050-05080	F10	96
91399-MB0-003	E11	74	93500-05010-0A	E11	74		E5	63
91403-663-000	B10	20	93500-05010-1A	E11	74		E6	65
	F8	93	93500-05028-0G	B2	5		E8	69
91455-MB0-010	E11	74		B3	7		F10	96
91456-MB0-000	G6	113	93500-06008-4J	F12	101		F12	101
91456-371-770	E7	67	93500-06012-0A	B9	19		G9	119
	E8	68	93510-05010-0A	E11	75		G11	122
92000-06008-0A	E11	74	93600-04012-0G	E5	62	94050-06080	F7	91
92000-06012	F5	86		E6	65		G3	106
92000-06016-0A	G2	105	93600-04012-1G	E5	62	94050-08000	F12	101
92000-06016-0H	F7	91		E6	65	94050-10000	G12	125
	G6	113	93600-06016-0A	C6	37	94050-10080	G5	111
	G8	116		C7	39		G12	125

### Part Number Index

Part Number	Grid	Page	Part Number	Grid	Page	Part Number	Grid	Page
94050-12000	G7	115	94601-15000	B7	15	95700-06045-07	C1	27
	G8	116	94601-18000	C5	35	95700-06050-00	C1	27
94101-06000	C8	41		C6	36	95700-06060-00	C1	27
	E3	58	95001-35070-40	C11	47	95700-06070-00	B12	25
	G2	105	95001-35080-40	C11	47	95700-06090-00	C1	27
94101-06080	C8	41	95001-35180-40	C11	47	95700-06100-00	C1	27
	E3	58	95001-35200-40	C11	47	95700-08014-08	B8	17
	G2	105	95001-35210-40	C11	47	95700-08016-00	G2	105
94101-06700	F12	101	95002-02070	C11	47	95700-08016-07	G12	125
	G11	122		F6	89	95700-08022-00	F6	89
	H4	132	95002-02080	H4	133	95700-08025-00	F2	80
94101-06800	C8	41	95002-02100	C11	47	95700-08025-08	F7	91
	E3	58		H4	133		G6	113
	F5	86	95002-02120	C11	47	95700-08025-18	F7	91
	F5	87		F6	89		G6	113
	G2	105	95002-40850-08	H4	133	95700-08032-00	G4	109
94101-08000	E11	75	95002-41050-08	B1	2	95700-08045-00	C1	27
94102-08000	G2	105		H4	133	95700-08050-00	C2	28
94103-05700	F11	99	95002-41200-08	F11	99	95700-08065-00	C9	43
94109-12000	B12	24	95002-70000	G11	122	95700-08080-00	C2	28
	D2	52	95002-80000	F11	99	95700-10020-07	G2	105
	E1	54	95005-80440-20	H4	133		G3	106
94111-03800	E3	58	95011-61000	F12	101	95701-06010-07	E8	69
94111-04800	B8	17		G1	102		E9	70
	F10	96	95014-41000	E11	75		E12	77
94111-05000	B11	22	95014-73100	G1	103	95701-06010-08	F8	93
94111-06000	E3	58	95015-32001	G1	103		F11	99
	E3	59	95015-42000	G1	103		F12	100
94111-06700	F12	101	95015-83000	G2	105		G6	113
94111-06800	F10	96	95700-06010-07	E8	69		G9	119
94111-08000	E11	75		E12	77	95701-06012-00	B2	5
94201-16100	G2	105		G11	122		C1	27
94201-16120	G1	103	95700-06010-08	F8	93		G10	121
94201-16150	G2	105		F11	99	95701-06014-08	E9	70
94201-16250	G2	105		G6	113		E9	71
94201-20250	B12	24		G9	119		B6	12
94201-20320	B12	24	95700-06012	G10	121	95701-06016-00	B6	12
94201-20350	B12	24	95700-06012-00	B2	5	95701-06020-00	G1	103
94201-25200	F2	80		C1	27	95701-06020-08	B7	15
94201-25250	F2	80		G10	121		F7	91
	G3	106	95700-06012-10	G10	121	95701-06022-00	C8	41
94201-25300	F2	80	95700-06014-08	E9	70	95701-06025-07	G11	122
	G3	106	95700-06016-00	B6	12	95701-06028-00	C1	27
94251-06000	B5	11	95700-06020-00	E1	103	95701-06032-00	C1	27
94251-08000	B6	12	95700-06020-08	F7	91	95701-06035-08	F8	93
94301-08140	B2	5	95700-06022-00	C8	41	95701-06040-00	C1	27
	B3	7	95700-06025-07	G11	122	95701-06040-08	G3	107
	B6	13	95700-06028-00	C1	27		G4	108
	B10	21	95700-06032-00	C1	27	95701-06045-00	B12	25
	B12	24	95700-06035-08	F8	93		C1	27
	C1	27	95700-06040-00	C1	27	95701-06045-07	B12	25
94301-12200	B2	5	95700-06040-08	G3	107		C1	27
	B3	7	95700-06045-00	B12	25	95701-06050-00	C1	27
94305-20141	F8	93		C1	27	95701-06060-00	C1	27

### Part Number Index

Part Number	Grid	Page	Part Number	Grid	Page	Part Number	Grid	Page
95701-06070-00	B12	25	96001-06010-07	G12	125	98069-57916	B2	5
95701-06090-00	C1	27		H1	126		B3	7
95701-06100-00	C1	27	96001-06012-00	B9	19	98069-57926	B2	5
95701-08014-08	B8	17		C2	28		B3	7
95701-08016-00	G2	105	96001-06014-00	B6	12	98069-58916	B2	5
95701-08016-07	G12	125		B6	13		B3	7
95701-08022-00	F6	89	96001-06016-00	C6	37	98069-58926	B2	5
	F7	90		C7	39		B3	7
95701-08025-00	F2	81		C7	39	98069-59916	B2	5
95701-08025-08	F7	91		C8	40		B3	7
	F8	92		C8	41	98069-59926	B2	5
	G6	113		G1	103		B3	6
	G7	114		G2	104		B3	7
95701-08032-00	G4	109	96001-06020-07	B9	19		B4	8
	G5	110	96001-06022-00	B10	21	98200-21000	G9	119
95701-08045-00	C1	27	96001-06022-07	C8	41		G10	120
95701-08050-00	C2	28	96001-06025-00	B11	22	98200-21500	F8	93
95701-08065-00	C9	43		B11	23	98200-31000	F9	94
95701-08080-00	C2	28	96001-06025-07	C8	41	98200-31500	F9	94
95718-06020-08	B7	15	96001-06028-00	B10	21		F9	95
	B8	16		B12	25	98200-53000	F10	96
95800-06012	G10	121		C1	26		F10	97
95800-08032-00	C7	39		C9	43	99001-08000	H1	126
95801-08032-00	C7	39		C10	44	99001-10120	H1	126
95900-06012-02	G10	121	96001-06028-07	B6	13	99001-14170	H1	126
96000-06010-07	G11	122	96001-06032-07	B6	13	99002-13500	H1	126
	G12	125	96001-06035-00	B9	19	99003-10000	H1	126
96000-06012-00	B9	19	96001-06035-02	E1	55	99003-30000	H1	126
	C2	28		E2	56	99003-50000	H1	126
96000-06014-00	B6	12	96001-06035-07	B6	13	99006-12000	H1	127
	C8	41		B7	14	99006-22000	H1	127
96000-06016-00	C6	37		C8	41		H2	128
	C7	39		C9	42	99008-02000	H1	126
	C8	41	96001-06040-00	B9	19	99101-393-0950	C12	49
	G1	103		B10	20	99101-393-0980	C12	49
96000-06020-07	B9	19		G11	122	99101-393-1220	C12	49
96000-06022-00	B10	21		G11	123	99101-393-1300	C12	49
96000-06022-07	C8	41	96001-06060-07	B10	21	99102-393-0980	C12	49
96000-06025-00	B11	22	96001-06070-00	B10	21	99102-393-1300	C12	49
96000-06025-07	C8	41		B11	22	99103-437-0400	C12	49
96000-06028-00	B10	21	96100-63040-00	C2	28		D1	50
	B12	25		C3	30			
	C9	43	96100-63050-00	C6	37			
96000-06028-07	B6	13		C7	38			
96000-06032-07	B6	13	96140-63030-10	F3	83			
96000-06035-00	B9	19		F4	84			
96000-06035-02	E1	55	96150-63020-10	F1	79			
96000-06035-07	B6	13		F2	80			
	C8	41	96211-05000	E11	75			
96000-06040-00	B9	19		E12	76			
	G11	122	96220-60150	B8	17			
96000-06060-07	B10	21		B9	18			
96000-06070-00	B10	21	96700-06022-17	E5	62			
96001-06010-07	G11	122		E6	65			

## Description Index

Description	Grid	Page	Ref. No.	Description	Grid	Page	Ref. No.
<b>(A)</b>							
ALTERNATOR ASSY.	B9	18	5	BEARING. BALL. 5206	C9	43	19
ALTERNATOR ASSY. PULSE	B8	16	8	BEARING. BALL. 6303	C9	43	20
ARM ASSY. SHOCK	G5	110	13	BEARING. HEAD PIPE LOWER	E8	69	19
	G5	110	14	BEARING. HEAD PIPE UPPER	E8	69	18
ARM COMP. CAM CHAIN TENSIONER	B5	11	15	BEARING. NEEDLE. 19 16	F5	86	30
ARM COMP. GEARSHIFT	G1	102	3	BEARING. NEEDLE. 20MM	C6	37	26
ARM COMP. NEUTRAL STOPPER	C7	38	10	BEARING. NEEDLE. 30X35X17	B8	17	15
ARM COMP. SHIFT DRUM STOPPER	C7	38	11	BEARING. NEEDLE. 35X42X30	B7	15	18
ARM. RR BRAKE	F2	80	9	BEARING. RADIAL BALL. 16003	B7	15	17
ARM. VALVE ROCKER	B4	9	6	BEARING. RADIAL BALL. 16012C3	F4	85	27
AXLE. FR. WHEEL	F1	78	3	BEARING. RADIAL BALL. 5206	C9	43	21
AXLE. RR. WHEEL	F2	80	1	BEARING. RADIAL BALL. 57 34C3	F4	85	28
				BEARING. RADIAL BALL. 6302UU	F1	79	18
				BEARING. RADIAL BALL. 6303U	F3	83	10
				BEARING. RADIAL BALL. 6304	C2	28	32
				BEARING. RADIAL BALL. 6305	C6	37	29
					F4	85	29
<b>(B)</b>							
BAG. TOOL	H1	126	2	BEARING. 16005	C7	39	25
BAG. TOOL. 200MM	H1	126	2	BEARING. 30203J	G4	109	25
BALL STEEL #5	E11	75	68	BLOCK SET. CYLINDER	C1	26	1
BAND B1. WIRE	E3	59	5	BODY. KEY	F8	92	13
	G9	118	12	BOLT ASSY. FR. SHOCK	E10	73	35
BAND. INSULATOR	B2	4	9	BOLT 2. STUD. 6X32	B2	5	20
	B3	7	9		B3	7	16
BAND. L EX. PIPE	F12	100	8	BOLT-FLANGE. 6X12	G10	121	31
BAND. L. MUFFLER	F12	100	10	BOLT-WASHER. 6X25	B8	17	17
BAND. R. EX.	F12	100	7		G10	121	32
BAND. R. MUFFLER	F12	100	9	BOLT. BATTERY SETTING	F9	95	3
BAND. SELF LOCK	E7	67	17	BOLT. CAM CHAIN GUIDE A	B5	11	7
BAR ASSY. SIDE STAND	G3	106	4	BOLT. CAP. 6X20	F6	89	20
BAR COMP. L. FOOTPEG	G2	104	12	BOLT. CONNECTING ROD	C4	33	7
BAR COMP. R. FOOTPEG	G2	104	3	BOLT. DRAIN PLUG. 12MM	B12	24	20
BAR. L. PILLION FOOTPEG	G2	105	17	BOLT. FLANGE SOCKET. 6X25	H4	132	13
BAR. R. PILLION STEP	G2	104	16	BOLT. FLANGE SOCKET. 8X85	C9	43	14
BAR. SEAT LOCK	F7	90	5	BOLT. FLANGE. 10X190	G5	111	23
BAR. STEP HOLDER	G2	105	20	BOLT. FLANGE. 10X20	G2	105	30
BASE COMP. CONTACT	E7	67	4	BOLT. FLANGE. 10X220	G12	125	24
BASE. AIR CLEANER	C11	46	24	BOLT. FLANGE. 10X345	G12	125	23
BASE. HEAD COVER	B1	2	3	BOLT. FLANGE. 10X38	F4	85	22
BASE. TURN SIGNAL	G7	114	2	BOLT. FLANGE. 10X48	G5	111	25
BATTERY	F9	95	1	BOLT. FLANGE. 10X50	E12	77	26
BATTERY ASSY.	F9	95	1	BOLT. FLANGE. 10X53	G5	111	22
BEARING A. CONNECTING ROD	C4	33	8	BOLT. FLANGE. 10X62	G5	111	21
BEARING A. CRANKSHAFT	C4	33	10	BOLT. FLANGE. 10X65	G12	125	22
BEARING B. CONNECTING ROD	C4	33	8	BOLT. FLANGE. 10X82	G5	111	24
BEARING B. CRANKSHAFT	C4	33	10	BOLT. FLANGE. 12X40	B8	17	12
BEARING C. CONNECTING ROD	C4	33	8		B9	19	10
BEARING C. CRANKSHAFT	C4	33	10	BOLT. FLANGE. 12X45	B8	17	12
BEARING D. CONNECTING ROD	C4	33	8		B9	19	10
BEARING D. CRANKSHAFT	C4	33	10	BOLT. FLANGE. 6X10	E8	69	21
BEARING E. CONNECTING ROD	C4	33	8		E12	77	28
BEARING E. CRANKSHAFT	C4	33	10		F8	93	28
BEARING. BALL. 16005	C7	39	25		F11	99	33
					G6	113	19

## Description Index

Description	Grid	Page	Ref. No.	Description	Grid	Page	Ref. No.
BOLT. FLANGE. 6X10	G9	119	26	BOLT. FLANGE. 6X60	B10	21	23
	G11	122	40		C1	27	25
	G11	122	42	BOLT. FLANGE. 6X70	B10	21	24
	G12	125	34		B12	25	25
BOLT. FLANGE. 6X100	C1	27	27	BOLT. FLANGE. 6X90	C1	27	26
BOLT. FLANGE. 6X12	B2	5	25	BOLT. FLANGE. 8X14	B8	17	20
	B9	19	12	BOLT. FLANGE. 8X15	F7	91	15
	C1	27	18	BOLT. FLANGE. 8X16	E1	54	12
	C2	28	31		G2	105	29
BOLT. FLANGE. 6X14	G10	121	31		G12	125	33
	B6	12	25	BOLT. FLANGE. 8X19	E7	67	12
	C8	41	29	BOLT. FLANGE. 8X22	F6	89	25
	E9	70	2	BOLT. FLANGE. 8X25	F2	80	12
BOLT. FLANGE. 6X16	B6	12	24		F7	91	22
	C6	37	28		G6	113	20
	C7	39	30	BOLT. FLANGE. 8X27	F4	85	21
	C8	41	30	BOLT. FLANGE. 8X32	C7	39	29
	G1	103	24		G4	109	29
BOLT. FLANGE. 6X20	B7	15	20	BOLT. FLANGE. 8X37	F12	101	19
	B9	19	13		F12	101	20
	F7	91	21	BOLT. FLANGE. 8X45	C1	27	28
	F12	101	18	BOLT. FLANGE. 8X49	E12	77	24
	G1	103	23	BOLT. FLANGE. 8X50	C2	28	29
BOLT. FLANGE. 6X22	B10	21	21	BOLT. FLANGE. 8X55	E12	77	25
	C8	41	28	BOLT. FLANGE. 8X60	G12	125	20
	C8	41	31	BOLT. FLANGE. 8X65	C9	43	26
BOLT. FLANGE. 6X25	B11	22	11	BOLT. FLANGE. 8X80	C2	28	30
	C8	41	32	BOLT. FR. DISK. 8X57	F1	79	15
	G11	122	41	BOLT. FR. DISK. 8X59	F1	79	15
BOLT. FLANGE. 6X28	B6	13	9	BOLT. HEX. SOCKET. 8X32	E7	67	14
	B10	21	22	BOLT. HEX. SOCKET. 8X50	G6	113	14
	B12	25	26	BOLT. HEX. 6X12	F5	86	37
	C1	27	19	BOLT. HEX. 6X16	B12	24	13
	C9	43	27		F4	85	23
BOLT. FLANGE. 6X32	B6	13	10		F7	91	18
	C1	27	20		G2	105	23
BOLT. FLANGE. 6X35	B6	13	11		G6	113	17
	B9	19	14	BOLT. HEX. 6X20	G9	119	24
	C8	41	33	BOLT. HEX. 6X8	E11	74	61
	E1	55	15	BOLT. HOLDING	F6	88	8
	F8	93	29	BOLT. L. RR. SWINGARM PIVOT	G4	109	19
BOLT. FLANGE. 6X40	B9	19	15	BOLT. OIL	B2	4	15
	C1	27	21	BOLT. OIL CONTROL	B2	5	16
	G3	107	15	BOLT. OIL. 10X22	E5	62	17
	G11	122	43		E6	65	16
BOLT. FLANGE. 6X45	B12	25	24	BOLT. OIL. 10X34	E5	62	18
	C1	27	22	BOLT. PANEL STOPPER	G4	109	20
	C1	27	23	BOLT. PIN	E12	77	14
BOLT. FLANGE. 6X50	C1	27	24	BOLT. R. CONTROL LEVER PIVOT	E5	62	15
BOLT. FLANGE. 6X52	B2	4	10		E6	64	14
	B3	7	10	BOLT. R. RR. SWINGARM PIVOT	G4	109	18
BOLT. FLANGE. 6X54	B2	4	11	BOLT. RECESSED. 5X12	E1	55	14
	B3	7	11	BOLT. SIDE STAND PIVOT	G3	106	10
BOLT. FLANGE. 6X55	B10	21	15				

## Description Index

Description	Grid	Page	Ref. No.	Description	Grid	Page	Ref. No.
BOLT, SIDE STAND RUBBER SET	G3	106	11	BOOT, PISTON CASE	E10	73	30
BOLT, SLOT, 5X12	E1	54	14	BOSS, OIL FILTER	B11	23	12
BOLT, SOCKET	E10	73	48	BOX ASSY., FUSE	F8	92	5
	G2	105	22		F8	92	6
BOLT, SOCKET, 10X25	G12	125	21	BOX ASSY., PILOT	E2	57	17
BOLT, SOCKET, 10X30	E8	69	15	BOX ASSY., PILOT LOWER	E2	57	19
	G12	125	25	BOX ASSY., PILOT UPPER	E2	57	18
BOLT, SOCKET, 10X35	G2	105	21	BOX ASSY., SPEEDOMETER GEAR	F1	79	9
BOLT, SOCKET, 10X40	E12	77	23	BOX ASSY., TOOL	F8	92	12
BOLT, SOCKET, 6X22	E5	62	16	BRACKET ASSY., CAM CHAIN TENSIONER	B5	10	3
	E6	65	15	BRACKET COMP., CAM CHAIN TENSIONER			
BOLT, SOCKET, 6X23	E5	62	16	HOLDER	B5	11	16
	E6	64	15	BRACKET COMP., L	E1	54	8
BOLT, SOCKET, 7X38	E7	67	13	BRACKET COMP., L FR	E12	77	9
BOLT, SOCKET, 8MM	E10	73	47	BRACKET COMP., L STEP	G2	104	5
BOLT, SOCKET, 8X11	F4	85	19	BRACKET COMP., R	E1	54	9
BOLT, SOCKET, 8X16	G7	115	20	BRACKET COMP., R FR	E12	77	20
BOLT, SOCKET, 8X17	E10	73	49	BRACKET COMP., R STEP	G2	104	4
BOLT, SOCKET, 8X22	C9	43	13	BRACKET, L ELECTRIC PARTS	G9	118	15
BOLT, SPECIAL FLANGE, 8X16	E1	54	12	BRACKET, L RR, TURN SIGNAL	G7	115	17
BOLT, SPECIAL FLANGE, 8X26	E1	54	13	BRACKET, LICENSE PLATE	G6	112	13
BOLT, SPECIAL FLANGE, 8X28	G1	103	15	BRACKET, R ELECTRIC PARTS	G9	118	13
BOLT, SPECIAL FLANGE, 8X45	F12	101	21	BRACKET, R RR, TURN SIGNAL	G7	115	16
BOLT, SPECIAL 6X29	B1	2	5	BRACKET, SIDE STAND RUBBER	G3	106	9
BOLT, SPECIAL 7X18	C7	39	20	BRAKE PAD KIT	E12	77	NI
BOLT, STUD, 10X50	F4	85	20	BRAKE SHOE KIT	F2	81	NI
BOLT, STUD, 6X32	B2	5	20	BRAKE SHOE SET	F2	81	NI
	B3	7	16	BREATHER ASSY.	F4	84	4
BOLT, STUD, 6X45	B2	5	20	BRIDGE, CALIPER BRACKET	E12	77	12
	B3	7	16	BRIDGE, FORK TOP	E7	67	8
BOLT, STUD, 6X50	B2	5	20	BULB	E2	56	1
	B3	7	16	BULB, HEADLIGHT	E1	54	5
BOLT, STUD, 8X50	E11	74	62	BULB, TAILLIGHT	G8	116	4
BOLT, TIE ROD	G1	103	14	BULB, TURN SIGNAL	G7	115	18
BOLT, UBS, 10X34	F3	82	7		G7	115	19
BOLT, UBS, 7X15	B5	11	17	BULB, WEDGE BASE	E2	56	1
BOLT, UBS, 8X100	C9	43	11	BULB, WEDGE BASE 12V3W	E2	56	2
BOLT, UBS, 8X151	B2	4	12	BULB, 12V60/55W H4	E1	54	5
	B3	7	12	BUSH	E6	64	3
BOLT, UBS, 8X60	C9	43	15	BUSH, GUIDE	E9	71	13
BOLT, UBS, 9X108	C1	27	11	BUSH, SLIDER	E9	71	14
BOLT, UBS, 9X177	B2	4	14		E10	72	15
	B3	7	14				
BOLT, UBS, 9X88	C1	26	8				
	C1	26	9				
BOLT, UBS, 9X91	B2	4	13	(C)			
	B3	7	13	CABLE ASSY., SPEEDOMETER	E2	57	21
BOLT, UBS, 9X98	C1	27	10	CABLE COMP., A, THROTTLE	E3	59	1
BOOT	E12	77	15	CABLE COMP., B, THROTTLE	E3	59	2
BOOT COMP., RR, SHOCK	G5	111	20	CABLE COMP., CHOKE	E3	59	3
BOOT JOINT	G4	109	14	CABLE, BATTERY GROUND	F10	96	11
BOOT, MASTER CYLINDER	E4	61	12	CABLE, BATTERY STARTER	F9	95	5
	E6	64	12	CABLE, INNER	E2	57	22
BOOT, PIN	E12	77	16	CABLE, STARTER MOTOR	F9	95	6

## Description Index

Description	Grid	Page	Ref. No.	Description	Grid	Page	Ref. No.
CALIPER ASSY., L, FR	E12	76	3	CASE, HEADLIGHT	E1	54	6
CALIPER ASSY., R, FR	E12	77	17	CASE, RR, COWL	F7	90	9
CALIPER COMP., L	E12	76	4	CASE, THERMOSTAT	C8	40	2
CALIPER COMP., R	E12	77	18	CENTER, CLUTCH	B7	14	4
CAM, RR, BRAKE	F2	80	7	CHAIN, CAM	B5	10	2
CAM, DAMPER	G4	108	2	CHAIN, OIL PUMP	B11	23	5
CAMSHAFT COMP., FR, EX	B4	8	4	CHAMBER COMP., EX	F12	100	3
CAMSHAFT COMP., FR, IN	B4	8	2	CHAMBER SET, FLOAT	C12	48	4
CAMSHAFT COMP., RR, EX	B4	8	5	CIRCLIP	E5	62	20
CAMSHAFT COMP., RR, IN	B4	8	3	CIRCLIP, INTERNAL, 18MM	E6	65	18
CANISTER COMP.	H4	132	3	CIRCLIP, INTERNAL, 50MM	E10	73	33
CAP	G5	110	4	CIRCLIP, 25MM	C6	37	25
CAP A, CONNECTING	C8	40	7	CLAMP	B10	20	12
CAP ASSY., 1, COIL WIRE	G8	117	5		F8	93	25
CAP ASSY., 2, COIL WIRE	G8	117	6	CLAMP A, WATER HOSE	C8	40	11
CAP ASSY., 4, COIL WIRE	G8	117	7	CLAMP A, WATER PIPE	C8	41	14
CAP ASSY., VALVE	E10	73	37	CLAMP B, WATER HOSE	C8	40	12
CAP B, CONNECTING PIPE	C8	40	8	CLAMP B, WATER PIPE	C8	41	17
CAP COMP., FUEL FILLER	F6	89	13	CLAMP, ALTERNATOR CORD	B9	19	8
CAP COMP., RADIATOR	G10	120	7	CLAMP, CABLE	G6	112	10
CAP, AIR VALVE	G5	110	5	CLAMP, COIL WIRE	G9	118	14
CAP, BLEEDER SCREW	B10	20	14	CLAMP, DRAIN TUBE	F11	98	17
	C8	41	21	CLAMP, PULSER CORD	B6	13	5
	E12	76	2	CLAMP, RECTIFIER WIRE	F8	92	3
CAP, BREATHER	F4	84	4	CLAMP, TUBE	F11	99	31
CAP, L, LOCK NUT	G4	109	23	CLAMP, TUBE VENT	F11	98	11
CAP, MAIN GALLERY	C1	26	4	CLAMP, WATER HOSE	C8	40	11
CAP, MAIN STAND PIPE	G12	125	18		C8	40	12
CAP, MASTER CYLINDER	E4	61	8		G10	121	25
	E6	64	8		G11	123	2
CAP, OIL FILTER	B6	13	3	CLAMP, WIRE	G12	124	14
CAP, R, LOCK NUT	G4	109	22	CLIP, AIR VENT TUBE	G9	118	17
CAP, RESERVE TANK	G10	121	14	CLIP, BREATHER TUBE	C1	26	5
CAP, SOCKET BOLT	E7	67	18		C11	47	42
CAP, SOCKET BOLT, 8MM	E11	74	60		F10	97	1
	G6	113	16		F11	98	23
CAP, STARTING CLUTCH ROLLER SPRING	B8	16	7		H4	132	1
CAP, SWINGARM SIDE	G4	109	16	CLIP, CLUTCH CABLE	G5	110	1
CAP, TAPPET ADJUSTING HOLE	F4	84	1	CLIP, HARNESS	G9	118	11
CARBURETOR ASSY.	C10	45	16	CLIP, HIGH TENSION CORD	C1	26	6
CARBURETOR ASSY., 1	C10	45	17	CLIP, OVER FLOW TUBE	G8	117	1
CARBURETOR ASSY., 2	C10	45	18	CLIP, PISTON PIN, 15MM	B7	15	19
CARBURETOR ASSY., 3	C10	45	19	CLIP, PISTON PIN, 18MM	C5	35	12
CARBURETOR ASSY., 4	C10	45	20	CLIP, PULSER WIRE	B8	17	9
CASE ASSY., L, PISTON	E10	73	43	CLIP, TUBE, B10	C11	47	40
CASE ASSY., SIDE GEAR	C9	42	3		H4	133	17
CASE COMP., L, LOWER	E10	73	42	CLIP, TUBE, B12	C11	47	41
CASE COMP., R, LOWER	E10	72	18		F6	89	24
CASE COMP., SIDE GEAR	C9	42	4	CLIP, TUBE, B7	C11	47	39
CASE, AIR CLEANER	F10	97	8		F6	89	23
CASE, COUPLER HOLDER	E8	68	9	CLIP, TUBE, B8	H4	133	16
CASE, FINAL GEAR	F4	84	3	CLIP, TUBE, C11	G11	122	39
CASE, FUSE	G9	118	10	CLIP, TUBE, C12	F11	99	32
CASE GUIDE	G5	110	15	CLIP, TUBE, D8.5	H4	133	18

## Description Index

Description	Grid	Page	Ref. No.	Description	Grid	Page	Ref. No.
CLIP, TUBE, 10.5MM	B1	2	19	COVER, COUPLER HOLDER	E8	68	11
	H4	133	19	COVER DAMPER	G4	108	5
CLIP, WIRE HARNESS	B10	20	12	COVER DUST	G1	102	5
COIL COMP., IGNITION	G8	117	2	COVER FAIRING BRACKET	G11	123	5
	G8	117	3	COVER FUSE	F10	96	13
COLLAR A, ENGINE HANGER	G12	124	15	COVER FUSE BOX	F8	92	7
COLLAR B, ENGINE HANGER	G12	124	16	COVER GEAR CASE	F4	84	6
COLLAR B, RR. DISTANCE	F4	85	18	COVER HANDLE	E7	67	7
COLLAR C, ENGINE HANGER	G12	125	17	COVER INDICATOR SWITCH	B9	18	3
COLLAR COMP. FR. AXLE DISTANCE	F1	78	5	COVER L. CANISTER	H4	132	5
COLLAR BUSH	G5	110	7	COVER L. ELECTRIC PARTS	G9	118	19
COLLAR, CANISTER MOUNTING	H4	132	11	COVER L. FR. SIDE	F11	99	26
COLLAR, CHAIN CASE	G2	104	1	COVER L. RADIATOR	G10	121	20
COLLAR, CONNECTING ROD	G5	111	17	COVER, LOWER	E2	57	20
COLLAR, FR. FENDER	F8	92	11		E8	68	14
COLLAR, FR. WHEEL SIDE	F1	78	4	COVER, MAGNETIC SWITCH TERMINAL	F9	95	7
COLLAR, FUEL TANK FR. MOUNTING	F6	89	11		F9	95	9
COLLAR, FUEL TANK SETTING	F6	89	19	COVER, R. CANISTER	H4	132	4
COLLAR, GEAR CHANGE PEDAL PIVOT	G1	102	2	COVER, R. ELECTRIC PARTS	G9	118	18
COLLAR, GEARSHIFT DRUM STOPPER	C7	38	12	COVER, R. FR. SIDE	F11	99	25
COLLAR, GEARSHIFT PEDAL PIVOT	G1	102	2	COVER, R. RADIATOR	G10	121	19
COLLAR, HEADLIGHT CASE	E1	54	7	COVER, RADIATOR HOSE	G10	121	24
COLLAR, MUFFLER MOUNTING	F12	101	15	COVER, RESERVE TANK	G10	120	11
COLLAR, PISTON	E10	72	19	COVER, RR.	B10	20	1
COLLAR, RADIATOR MOUNTING	G10	120	9	COVER, RUBBER	E1	54	4
	G10	121	22	COVER, SPEEDOMETER	E2	57	9
COLLAR, RESERVE TANK SETTING	G10	120	12	COVER, STARTING MOTOR TERMINAL	F9	95	8
COLLAR, RR. AXLE DISTANCE	F3	82	2	COVER, TACHOMETER	E2	57	14
COLLAR, RR. COVER	B10	20	2	COVER, THERMOSTAT	C8	40	3
COLLAR, RR. WHEEL SIDE	F2	80	2	COWL SET, HR.	F7	90	7
COLLAR, SHOCK ARM	G5	110	9	CRANKSHAFT COMP.	C4	33	9
	G5	111	16	CUP, PISTON	B10	20	11
COLLAR, SPLINE, 25X12.5	C6	37	16	CYLINDER ASSY., CLUTCH MASTER	E6	64	1
COLLAR, SPLINE, 25X9.5	C6	36	7	CYLINDER ASSY., CLUTCH SLAVE	B10	20	7
COLLAR, SPRING	E9	71	3	CYLINDER ASSY., FR. BRAKE MASTER	E4	61	6
COLLAR, STAND RUBBER SETTING	G3	106	8	CYLINDER SET, MASTER	E5	62	13
COLLAR, 20X11.8	C6	36	4				
COLLAR, 25.2X7	B7	15	13				
COLLAR, 25X10	C6	36	9				
COLLAR, 25X12	C6	36	13				
COTTER, VALVE	B4	9	15				
COVER A, CYLINDER HEAD	B1	2	1	DIAGRAM, VACUUM HOSE ROUTING	F8	93	21
COVER ASSY., R. CRANKCASE	B6	13	1	DIAPHRAGM	E4	61	11
COVER B, CYLINDER HEAD	B1	2	2		E6	64	11
COVER B, TERMINAL	F10	96	10	DISK, CLUTCH FRICTION	B7	14	5
COVER COMP., WATER PUMP	B10	20	5	DISK, L. FR. BRAKE	F1	79	14
COVER SET, L. SIDE	F8	93	19	DISK, R. FR. BRAKE	F1	79	13
COVER SET, R. SIDE	F8	93	16	DRIVER 1, PLUS SCREW	H1	126	13
COVER SET, VALVE	F5	87	6	DRIVER 3, MINUS SCREW	H1	126	14
COVER, AIR CLEANER BASE	F11	98	13	DRUM ASSY., GEARSHIFT	C7	38	5
COVER, AIR CLEANER CASE	F10	97	6	DRUM, GEARSHIFT	C7	38	6
	F10	97	7	DUCT, AIR CLEANER IN.	F10	97	10
COVER, ALTERNATOR	B9	18	1	DUST SEAL	E12	77	8
COVER, CLUTCH	C9	42	1		G5	111	27
				DUST SEAL, BRAKE CAM	F2	80	6

(D)

## Description Index

Description	Grid	Page	Ref. No.	Description	Grid	Page	Ref. No.
DUST SEAL, CONNECTING ROD PIVOT	G5	111	29	GASKET, FR. FORK DRAIN VALVE	E10	73	50
DUST SEAL, FR. FORK	E10	73	53	GASKET, HEAD COVER	B1	2	4
DUST SEAL, STEERING HEAD	E8	68	5		D1	50	3
	E8	68	6	GASKET, INDICATOR SWITCH COVER	B9	18	4
DUST SEAL, 26X40X5	G4	109	26		D1	51	4
DUST SEAL, 40X50X5	F1	79	17	GASKET, LENS	G7	114	6
				GASKET, MUFFLER	F12	100	11
					F12	100	12
				GASKET, OIL PAN	B11	23	2
					D1	51	1
				GASKET, OIL STRAINER	B11	23	8
				GASKET, PISTON CASE	E10	72	16
				GASKET, R. COVER	B6	13	2
					D1	51	2
				GASKET, SEAL	G8	116	1
				GASKET, SIDE GEAR CASE	C9	42	5
					D1	51	5
				GASKET, WATER PUMP COVER	B10	20	6
				GAUGE, FEELER, 0.7	H1	126	3
				GAUGE, OIL LEVEL	B6	13	4
				GEAR ASSY., FINAL	F4	84	2
				GEAR COMP., STARTER CLUTCH	B8	16	3
				GEAR COMP., STARTING CLUTCH	B8	16	3
				GEAR SET, FINAL	F4	84	5
				GEAR, COUNTERSHAFT FIFTH	C6	36	14
				GEAR, COUNTERSHAFT FOURTH	C6	36	11
				GEAR, COUNTERSHAFT LOW	C6	36	3
				GEAR, COUNTERSHAFT SECOND	C6	36	6
				GEAR, COUNTERSHAFT SIXTH	C6	37	17
				GEAR, COUNTERSHAFT THIRD	C6	36	8
				GEAR, MAINSHAFT FIFTH	C6	36	12
				GEAR, MAINSHAFT FOURTH	C6	36	10
				GEAR, MAINSHAFT SECOND & THIRD	C6	36	5
				GEAR, MAINSHAFT SIXTH	C6	37	15
				GEAR, PRIMARY DRIVE	B7	14	11
				GEAR, SPEEDOMETER	F1	79	10
				GEAR, STARTER REDUCTION	B8	16	2
				GRILLE, RADIATOR	G10	120	6
				GRIP	H1	126	15
				GRIP, L. HANDLEBAR	E3	59	10
				GRIP, L. SIDE	G6	112	12
				GRIP, R. HANDLEBAR	E3	59	9
				GRIP, R. SIDE	G6	112	11
				GROMMET A, RR. COVER	B10	20	3
				GROMMET A, SIDE COVER	F8	93	17
				GROMMET B, RR. COVER	C9	42	2
				GROMMET, AIR CLEANER CASE	F8	92	15
					G9	119	21
				GROMMET, BREATHER TUBE	G11	123	4
				GROMMET, SIDE COVER	F6	89	14
				GUIDE A, CAM CHAIN	B5	11	8
				GUIDE B, CAM CHAIN	B5	11	14
				GUIDE COMP. A, CAM CHAIN	B5	11	6
				GUIDE, CLUTCH OUTER	B7	14	3

(E)

(F)

(G)

## Description Index

Description	Grid	Page	Ref. No.	Description	Grid	Page	Ref. No.
GUIDE DRAIN PIPE	F 12	101	17				
GUIDE EX. VALVE	B 1	3	1				
	B 3	6	1				
GUIDE OIL SEAL	G 4	108	8				
(H)							
HANDLE EYE WRENCH, 120MM	H 1	127	16				
HANDLEBAR	E 7	67	6				
HANDLEBAR, COMP. R.	E 5	62	14				
HARNES, WIRE	G 8	117	9				
HEAD COMP. FR. CYLINDER	B 1	3	2				
HEAD COMP. RR. CYLINDER	B 3	6	4				
HEADLIGHT ASSY.	E 1	54	1				
HEADLIGHT UNIT	E 1	54	3				
HOLDER	G 7	114	7				
HOLDER A. CAMSHAFT	B 1	3	3				
	B 3	6	2				
HOLDER ASSY. A. CAM CHAIN TENSIONER	B 5	11	11				
HOLDER ASSY. B. CAM CHAIN TENSIONER	B 5	11	13				
HOLDER B. CAMSHAFT	B 1	3	4				
	B 3	6	3				
HOLDER SET. BRUSH	B 11	22	5				
HOLDER 1C. FR. FORK AXLE	E 11	75	67				
HOLDER BOOT	E 10	73	32				
HOLDER COUNTERSHAFT BEARING	C 9	42	6				
HOLDER CROSS SHAFT BEARING	C 9	42	8				
HOLDER GREASE	E 8	68	8				
HOLDER HELMET	F 7	90	1				
HOLDER IGNITOR	G 6	112	8				
HOLDER JET NEEDLE	C 12	49	17				
	C 12	49	18				
HOLDER L. PILLION STEP	G 2	104	15				
HOLDER L. UPPER	E 7	67	11				
HOLDER MASTER CYLINDER	E 4	61	9				
	E 6	64	9				
HOLDER O-RING	F 4	84	12				
HOLDER R. PILLION STEP	G 2	104	14				
HOLDER R. UPPER	E 7	67	9				
HOLDER RR. SWINGARM GREASE	G 4	109	15				
HOLDER UPPER	E 7	67	10				
HORN ASSY.	E 8	68	2				
	E 8	68	3				
HOSE A. RADIATOR	G 10	121	23				
HOSE B. FR. BRAKE	E 4	61	4				
HOSE B. WATER	C 8	41	18				
HOSE CONNECTING	C 8	40	4				
HOSE L. FR. BRAKE	E 4	61	2				
HOSE LOWER WATER	G 12	124	12				
HOSE R. FR. BRAKE	E 4	61	3				
HOSE RADIATOR	G 10	121	17				
HOSE WATER	C 8	41	15				
(I)							
				INDICATOR, RR. BRAKE	F 2	80	8
				INSULATOR, CARBURETOR	B 2	4	8
					B 3	6	7
				INSULATOR, CLUTCH SLAVE CYLINDER	B 10	20	8
					D 1	51	6
(J)							
				JET, MAIN. # 130	C 12	49	22
				JET, MAIN. # 122	C 12	49	21
				JET, MAIN. # 95	C 12	49	21
				JET, MAIN. # 98	C 12	49	22
				JET, NEEDLE	C 12	49	16
				JET, SECONDARY MAIN	C 12	49	22
				JET, SECONDARY MAIN. # 130	C 12	49	22
				JET, SLOW. # 40	C 12	49	23
				JOINT B. BRAKE ARM	G 1	103	21
				JOINT COMP., YOKE	G 4	108	1
				JOINT SET A. FUEL	C 10	44	6
				JOINT SET B. FUEL	C 10	45	13
				JOINT SET C. FUEL	C 10	44	4
				JOINT SET D. FUEL	C 10	44	12
				JOINT SET E. FUEL	C 10	44	7
				JOINT, BOOST	B 3	6	8
				JOINT, BREATHER	F 11	98	22
				JOINT, EX. PIPE	F 12	100	1
				JOINT, FUEL TUBE	H 4	132	2
				JOINT, PINION	F 4	84	11
				JOINT, TUBE	G 10	121	13
				JOINT, TWO WAY	E 4	61	5
(K)							
				KEY SET	E 7	67	1
				KEY, BLANK	E 7	67	5
				KEY, WOODRUFF	C 5	35	11
				KNOB, TRIP METER	E 2	57	12
(L)							
				LABEL BATTERY CAUTION	G 12	125	19
				LABEL DRIVE CAUTION	F 6	89	18
				LABEL FAN MOTOR FUSE	G 9	118	20
				LABEL FR. FORK CAUTION	F 6	89	17
				LABEL FUSE	F 8	92	8
				LABEL HELMET HOLDER	F 7	91	13
				LABEL JACK UPPER WARNING	H 4	132	12
				LABEL RESERVE TANK	G 10	121	29
				LABEL RR. CUSHION CAUTION	F 8	93	23

## Description Index

Description	Grid	Page	Ref. No.	Description	Grid	Page	Ref. No.
LABEL TIRE CAUTION	G 4	109	17	NUT, FLANGE, 6MM	E 8	69	20
LENS, TURN SIGNAL	G 7	114	3		F 7	91	20
LEVER COMP., L. HANDLE	E 6	64	13		F 10	96	18
LEVER SET A. LINK	C 10	44	1		F 12	101	25
LEVER, CHOKE	E 3	59	4		G 3	106	13
LID, RR. COWL CASE	F 7	91	10		G 9	119	22
LIFTER, DAMPER	G 4	108	3		G 11	122	37
LINK SET A. STARTER	C 10	44	2	NUT, FLANGE, 8MM	F 12	101	26
LINK SET B. STARTER	C 10	44	5		G 12	125	26
LINK SET C. STARTER	C 10	44	9	NUT, GOVERNOR ARM FIXING	G 1	103	16
LOCK, BEARING ADJUSTING	F 4	84	9	NUT, HEX, 10MM	G 3	106	12
	F 4	84	10		G 4	109	21
(M)							
MAINSHAFT	C 6	36	1	NUT, HEX, 16MM	F 4	85	25
MARK, ACCESSORIES & LOADING CAUTION	F 7	91	14	NUT, HEX, 3MM	E 3	58	31
MARK, FR. FORK	E 10	73	39		E 3	58	33
MARK, RADIATOR CAUTION	F 8	93	22	NUT, HEX, 6MM	C 7	39	28
METAL BUSH	G 5	110	6		E 3	58	32
METER, TEMPERATURE & GEAR POSITION	E 2	57	16		G 1	103	17
MIRROR, L.	E 4	60	12	NUT, HEX, 8MM	E 11	75	64
MIRROR, R.	E 4	60	11	NUT, INSTRUMENT SETTING	E 2	57	24
MOTOR ASSY., STARTER	B 11	22	1	NUT, LOCK, 22MM	B 7	14	12
MOTOR, FAN	G 10	120	5	NUT, LOCK, 30MM	C 9	43	16
MUFFLER COMP. L.	F 12	101	16	NUT, LOCK, 64MM	C 9	43	17
MUFFLER COMP. R.	F 12	100	5	NUT, RR. AXLE U. 16MM	F 4	85	24
				NUT, RR. SWINGARM PIVOT	G 4	109	24
				NUT, SPECIAL, 6X7	F 11	99	24
				NUT, SPEED, 3MM	F 8	93	24
				NUT, STEERING STEM	E 7	67	15
				NUT, TAPPET ADJUSTING	B 4	9	17
(N)							
NEEDLE, FR. JET	C 12	49	15	(O)			
	C 12	49	16	O-RING	B 11	22	8
NEEDLE, RR. JET	C 12	49	15		B 11	22	9
	C 12	49	16	O-RING B, 6.8X1.9	E 2	57	25
NET COMP., AIR CLEANER BASE	F 11	98	14		E 11	74	57
NUT B. BRAKE ROD ADJUSTING	G 1	103	22	O-RING D, 13.8X2.4	E 11	74	55
NUT CAP, 8MM	E 3	58	34	O-RING E, 33.5X2	E 11	74	56
NUT-WASHER, 6MM	B 11	22	7	O-RING, 12.5X1.4	G 10	121	30
NUT, AXLE, 10MM	G 5	111	26	O-RING, 13.5X1.4	G 10	121	30
	G 5	111	31	O-RING, 13.8X2.4	E 11	74	55
NUT, CAP, 6MM	E 5	63	23	O-RING, 13X2.5	C 8	41	26
	E 6	65	21		D 2	52	20
	F 12	101	22	O-RING, 14.6X3.7	B 12	24	16
	G 9	119	22		D 1	51	14
NUT, CONNECTING ROD	C 3	31	5	O-RING, 14.7X2.2	B 12	24	18
NUT, FLANGE, 10MM	G 5	111	31		D 2	52	16
	G 12	125	31	O-RING, 14.8X2.2	B 12	24	18
	G 12	125	32		D 2	52	16
NUT, FLANGE, 12MM	G 7	115	24	O-RING, 16.8X1.9	E 12	77	27
NUT, FLANGE, 5MM	F 10	96	17	O-RING, 18.3X2.3	C 8	41	23
NUT, FLANGE, 6MM	E 5	63	23		D 1	51	9
	E 6	65	21				





## Description Index

Description	Grid	Page	Ref. No.	Description	Grid	Page	Ref. No.
RUBBER D. MOUNTING	G12	124	10	SCREW, OVAL 4X8	E3	58	28
RUBBER BATTERY	F9	95	4	SCREW, OVAL 5X20	E3	58	29
RUBBER CANISTER MOUNTING	H4	132	10	SCREW, PAN	C10	45	14
RUBBER FUEL TANK FR.	F6	89	10	SCREW, PAN, 2X6	E2	57	23
RUBBER FUEL TANK RR.	F6	89	12	SCREW, PAN, 3X10	E2	57	26
RUBBER GEARSHIFT PEDAL	G1	102	6	SCREW, PAN, 3X20	E2	57	27
RUBBER MAIN FOOTPEG	G2	104	13	SCREW, PAN, 4X10	B8	17	18
RUBBER METER SETTING	E2	56	3	SCREW, PAN, 4X15	C12	49	19
RUBBER MOUNTING	B1	2	7	SCREW, PAN, 4X15	F11	99	27
RUBBER MUFFLER MOUNTING	F12	101	14	SCREW, PAN, 4X6	F8	93	26
RUBBER PILLION FOOTPEG	G2	105	19	SCREW, PAN, 4X6	F10	96	16
RUBBER PURGE CONTROL VALVE MOUNTING	C11	46	29	SCREW, PAN, 5X10	E11	74	63
RUBBER RADIATOR MOUNTING	G10	120	8	SCREW, PAN, 5X115	B11	22	4
	G10	121	21	SCREW, PAN, 5X28	B2	5	22
RUBBER SEAT STOPPER	F7	90	8	SCREW, PAN, 5X8	B3	7	18
RUBBER SHOCK	F10	96	14	SCREW, PAN, 5X8	B2	5	21
RUBBER SPEEDOMETER	E2	57	11	SCREW, PAN, 6X12	B3	7	17
RUBBER STAND	G3	106	7	SCREW, PAN, 6X8	B9	19	11
RUBBER STOPPER	E10	73	29	SCREW, PAN, 6X8	F12	101	24
RUBBER TACHOMETER	E2	57	15	SCREW, RIVET, 1.5X5	G12	125	29
				SCREW, RR. COVER	H4	132	14
				SCREW, SPECIAL, 6X8	G7	115	21
(S)				SCREW, TAPPET ADJUSTING	B4	9	16
				SCREW, TAPPING, 3X10	E3	58	30
SCREEN SET, FUEL STRAINER	F5	87	4	SCREW, TAPPING, 3X8	G11	122	36
SCREW SET	C10	44	8	SCREW, TAPPING, 4X12	G6	113	18
SCREW SET A	C12	48	5	SCREW, TAPPING, 4X25	G7	115	22
SCREW SET C	C12	48	6	SCREW, TAPPING, 6X12	G7	115	23
SCREW-WASHER, 4X10	C11	46	30	SCREW, TAPPING, 6X12	F7	91	19
SCREW-WASHER, 4X12	C11	46	31	SCREW, WASHER, 4X8	G10	121	33
	E5	62	22	SCREW, WASHER, 6X16	G9	119	25
	E6	65	20	SCREW, 4MM	G10	121	33
SCREW-WASHER, 4X16	C12	49	20	SCREW, 5X10	E11	75	63
SCREW-WASHER, 4X8	F6	89	22	SEAL SET, FR. FORK	E10	73	38
SCREW-WASHER, 5X10	G10	121	34	SEAL SET, FR. SHOCK	E10	73	38
SCREW-WASHER, 5X12	C11	46	33	SEAL AIR CLEANER BASE	F10	97	9
	F11	99	28	SEAL DUST	E10	73	53
	G12	125	30	SEAL DUST, 22X42X7	F1	79	16
SCREW-WASHER, 5X20	E4	60	13	SEAL OIL	C1	27	15
SCREW-WASHER, 5X28	E4	60	14	SEAL OIL, 14X24X6	C1	27	15
SCREW-WASHER, 5X45	E4	60	15	SEAL PISTON	E12	77	19
SCREW-WASHER, 5X8	C11	46	32	SEAL SHOCK ARM	G5	110	11
SCREW-WASHER, 6X12	G10	121	35	SEAL VALVE STEM	G5	110	12
SCREW-WASHER, 6X20	F11	99	29	SEAL WATER PIPE	B4	8	1
SCREW, BLEEDER	B10	20	13	SEAT ASSY.	D1	50	1
	C8	41	20	SEAT, SPRING	C8	41	25
	E12	76	1	SEAT, VALVE SPRING INNER	D2	52	19
SCREW, FLAT, 4X12	E5	62	21	SEAT, VALVE SPRING OUTER	F7	90	2
	E6	65	19	SENDING UNIT, WATER TEMPERATURE	E9	71	4
SCREW, FLAT, 6X16	C6	37	27	SEPARATOR, COUPLER HOLDER	E9	71	7
	C7	39	27		B4	9	14
SCREW, FLAT, 6X18	F11	98	12		B4	9	13
SCREW, OVAL 3X6	F6	89	21		C8	41	19
					E8	68	10

## Description Index

Description	Grid	Page	Ref. No.	Description	Grid	Page	Ref. No.
SHAFT COMP. GEARSHIFT FORK	C7	38	4	SPRING, CLICK	E10	72	22
SHAFT SET, CROSS	C9	43	10	SPRING, CLUTCH	B7	14	9
SHAFT, SHIFT DRUM STOPPER PIVOT	C7	38	13	SPRING, DAMPER CAM	G4	108	4
SHAFT, VALVE ROCKER ARM	B4	9	7	SPRING, FR. BRAKE SHOE	F2	80	10
SHIM A, PINION GEAR	F4	85	15	SPRING, FR. SHOCK	E9	71	2
SHIM A, STOPPER PIN	F4	85	14	SPRING, FR. SHOCK REBOUND	E9	71	11
SHIM B, PINION GEAR	F4	85	15	SPRING, FR. VACUUM PISTON	C12	48	9
SHIM B, STOPPER PIN	F4	85	14	SPRING, FUEL TUBE COVER	F5	87	1
SHIM C, PINION GEAR	F4	85	15		G10	120	1
SHIM D, PINION GEAR	F4	85	15	SPRING, GEARSHIFT ARM	C7	39	17
SHIM E, PINION GEAR	F4	85	15	SPRING, GEARSHIFT RETURN	C7	39	18
SHIM F, PINION GEAR	F4	85	15	SPRING, MAIN STAND	G3	106	2
SHIM G, PINION GEAR	F4	85	15	SPRING, NEUTRAL STOPPER	C7	38	15
SHIM, COUNTERSHAFT	C9	42	7	SPRING, OIL LOCK VALVE	E9	71	6
SHIM, CROSS SHAFT	C9	42	9	SPRING, PAD	E12	77	7
SHIM, DAMPING	F1	79	12	SPRING, PISTON	E10	72	17
SHOCK ABSORBER ASSY., L. FR.	E10	73	40	SPRING, PROPELLER SHAFT	G4	108	6
SHOCK ABSORBER ASSY., R. FR.	E9	71	1	SPRING, RR. VACUUM PISTON	C12	48	10
SHOCK ABSORBER ASSY., RR.	G5	110	3	SPRING, SEAT LOCK	F7	90	6
SHOE COMP., RR. BRAKE	F2	80	5	SPRING, SHIFT DRUM STOPPER	C7	38	14
SHROUD COMP.	G10	120	3	SPRING, SIDE STAND	G3	106	5
SLEEVE	E12	77	10	SPRING, SLAVE CYLINDER	B10	20	10
SLEEVE, FR. CALIPER BRACKET	E12	77	13	SPRING, STARTING CLUTCH ROLLER	B8	16	6
SLIDER, STEP	G2	104	8	SPRING, STEP RETURN	G2	104	6
SOCKET COMP.	E2	56	5		G2	104	7
	E2	56	6	SPRING, STOP SWITCH	G1	102	8
SOCKET COMP., ILLUMINATION	E2	57	10	SPRING, TENSIONER	B5	11	4
SOCKET COMP., TURN SIGNAL	G7	114	5	SPRING, VALVE INNER	B4	9	11
	G7	114	9	SPRING, VALVE OUTER	B4	9	10
SPACER A, RING GEAR	F4	85	17	SPROCKET, CAM	B5	10	1
SPACER B, RING GEAR	F4	85	17	SPROCKET, OIL PUMP DRIVE	B7	14	1
SPACER C, RING GEAR	F4	85	17	SPROCKET, OIL PUMP DRIVEN	B11	23	4
SPACER D, RING GEAR	F4	85	17	STABILIZER, FR. SHOCK	E10	73	46
SPACER E, RING GEAR	F4	85	17	STAND COMP., MAIN	G3	106	1
SPACER F, RING GEAR	F4	85	17	STATOR COMP.	B9	18	7
SPACER G, RING GEAR	F4	85	17	STAY A, PULSE ALTERNATOR	B8	17	10
SPACER H, RING GEAR	F4	85	17	STAY ASSY., INSTRUMENT	E2	56	7
SPACER I, RING GEAR	F4	85	17	STAY B, PULSE ALTERNATOR	B8	17	11
SPACER, IGNITION COIL	G8	117	4	STAY, COUPLER HOLDER	E8	68	12
SPACER, RR. FENDER	G6	112	6	STAY, FR. TURN SIGNAL	G7	114	10
SPANNER, 10X12	H1	126	10		G7	114	11
SPANNER, 14X17	H1	126	11	STAY, HORN	E8	68	13
SPANNER, 8MM	H1	126	9	STAY, L. HEADLIGHT	E1	54	11
SPARK UNIT	F8	92	1	STAY, METER	E2	56	7
	G6	112	1	STAY, R. HEADLIGHT	E1	54	10
	G6	112	2	STEM COMP., STEERING	E8	68	4
SPEEDOMETER ASSY.	E2	56	8	STEP ASSY., L. MAIN	G2	104	11
SPINDLE COMP., GEARSHIFT	C7	38	16	STEP ASSY., R. MAIN	G2	104	10
SPINDLE COMP., RR. BRAKE	G1	102	12	STOPPER, FOOTPEG RUBBER	G2	104	9
SPRING	C12	48	11	STOPPER, KEY BODY	F8	92	14
	C12	49	12	STOPPER, SIDE STAND	G3	106	6
SPRING A, BRAKE ROD	G1	103	20	STOPPER, SPRING	G4	108	7
SPRING, BRAKE PEDAL	G1	102	13	STRAINER, OIL	B11	23	7
SPRING, CARBON BRUSH	B11	22	3	STRAP, CABLE, 118MM	G9	119	23

## Description Index

Description	Grid	Page	Ref. No.	Description	Grid	Page	Ref. No.
STRIPE, L. FUEL TANK	H2	129	2	TUBE, BREATHER	H4	132	9
STRIPE, L. RR. COWL	H3	131	4	TUBE, BREATHER DRAIN	F11	98	16
STRIPE, L. SIDE COVER	H3	131	6	TUBE, CANISTER BREATHER	H4	132	6
STRIPE, R. FUEL TANK	H2	129	1	TUBE, CHARGE	H4	132	7
STRIPE, R. RR. COWL	H2	129	3		H4	132	8
STRIPE, R. SIDE COVER	H3	131	5	TUBE, FUEL, 7.3X170	F6	88	7
SUB FRAME COMP.	G12	124	11	TUBE, LEVEL	G10	121	18
SUB HARNESS, HORN	E8	68	1	TUBE, OVERFLOW	G10	121	16
SUSPENSION, TURN SIGNAL RELAY	G6	112	4	TUBE, RESERVE TANK	G10	121	15
SWINGARM ASSY., DRIVE	G4	108	12	TUBE, TENSIONER SPRING	B5	11	9
SWINGARM ASSY., RR.	G4	108	13	TUBE, VACUUM	F5	87	3
SWITCH ASSY., CHANGE	B9	19	9	TUBE, 3.5X180	C11	47	36
SWITCH ASSY., CLUTCH	E6	64	6	TUBE, 3.5X200	C11	47	37
SWITCH ASSY., COMBINATION & LOCK	E7	67	2	TUBE, 3.5X210	C11	47	38
	E7	67	3	TUBE, 3.5X70	C11	47	34
SWITCH ASSY., FR. STOP	E4	61	1	TUBE, 3.5X80	C11	47	35
SWITCH ASSY., OIL PRESSURE	C1	26	7	TUBE, 8X440	H4	133	20
SWITCH ASSY., RR. STOP	G1	102	7	TURN SIGNAL ASSY.	G7	114	1
SWITCH ASSY., STARTER MAGNETIC	F10	96	12		G7	114	8
SWITCH ASSY., STARTER/ENGINE STOP	E3	59	6	TURN SIGNAL ASSY., L. FR.	G7	114	8
SWITCH ASSY., STARTER/KILL	E3	59	6	TURN SIGNAL ASSY., L. RR.	G7	115	14
SWITCH ASSY., TURN SIGNAL	E3	59	7	TURN SIGNAL ASSY., R. FR.	G7	114	1
SWITCH ASSY., STARTER/KILL	E3	59	6		G7	114	12
					G7	115	14
				TURN SIGNAL ASSY., R. RR.	G7	115	12
(T)							
T-JOINT	C10	45	23	(V)			
TACHOMETER ASSY.	E2	57	13	VALVE ASSY., FUEL	F5	87	2
TAILLIGHT UNIT	G8	116	2	VALVE ASSY., RELIEF	B11	23	9
TANK COMP., FUEL	F6	88	9	VALVE COMP., AIR	E10	73	36
TANK SET, FUEL	F6	88	9		G5	110	2
TANK, RESERVE	G10	120	10	VALVE COMP., PURGE CONTROL	C11	46	28
TANK, STORAGE	F11	98	20	VALVE SET, FLOAT	C12	48	2
TENSIONER, CAM CHAIN	B5	11	5	VALVE SET, STARTER	C12	48	8
TERMINAL SET, BRUSH	B11	22	2	VALVE, EX.	B4	9	9
THERMOSTAT	C8	40	1	VALVE, IN.	B4	9	8
THERMOSWITCH ASSY.	G10	121	28	VALVE, OIL LOCK	E9	71	5
THREAD COMP., STEERING HEAD UPPER	E8	68	7	VALVE, RIM	F1	78	2
THREAD, STEERING HEAD TOP	E8	69	16		F3	82	6
TIRE ASSY., FR.	F1	78	8				
	F3	82	5				
TIRE ASSY., RR.	F3	82	5	(W)			
TOOL SET	H1	126	1	WASHER	E2	56	4
TOP COMP.	C12	49	13	WASHER B, THRUST, 25MM	C6	37	22
TUBE	C11	46	25	WASHER K, DRIVE PINION	C6	37	18
	C11	46	26	WASHER, ANCHOR PIN	F2	80	4
TUBE A, BREATHER	C1	26	2	WASHER, DRAIN PLUG, 12MM	B12	24	21
TUBE B, BREATHER	F11	98	21		D2	52	21
TUBE, AIR CLEANER	F11	98	15	WASHER, ENGINE HANGER	G12	125	28
TUBE, AIR CLEANER BREATHER	F11	98	18	WASHER, L. SIDE	E10	73	31
TUBE, AIR VENT	C11	46	27	WASHER, LOCK	C7	39	21
TUBE, AIR VENT, 3.5X130	F5	87	5				
TUBE, BATTERY	F10	96	15				

## Description Index

Description	Grid	Page	Ref. No.	Description	Grid	Page	Ref. No.
WASHER, LOCK	E8	69	17	WASHER, 11MM	B10	21	16
WASHER, LOCK, 25MM	C6	37	23		D1	51	7
WASHER, MOUNTING RUBBER	B1	2	6	WASHER, 6MM	B5	11	19
WASHER, OIL BOLT	B2	5	19		F7	91	17
	D1	50	5		G6	113	15
	E5	62	19		G8	116	5
	E6	65	17	WASHER, 6X19	B7	15	16
WASHER, PILLION FOOTPEG	G2	105	18	WASHER, 6X2.3	B12	24	14
WASHER, PLAIN, 5MM	F11	99	30		C7	39	23
WASHER, PLAIN, 6MM	C8	41	27	WASHER, 7MM	B5	11	20
	E3	58	35	WASHER, 8MM	B5	11	18
	F5	86	38		F4	85	26
	F12	101	27	WEIGHT, BALANCE	F1	78	1
	G2	105	24		F3	82	4
	G11	122	38	WHEEL COMP., FR.	F1	78	6
	H4	132	15	WHEEL COMP., RR.	F3	82	3
WASHER, PLAIN, 8MM	E11	75	65	WIRE A, GUARD	C8	40	9
	G2	105	25	WIRE B, GUARD	C8	40	10
WASHER, RR. BRAKE ANCHOR PIN	F2	80	4	WIRE COMP., L. TURN SIGNAL	G7	114	9
WASHER, RR. BRAKE ARM	C1	27	13		G7	115	15
WASHER, RR. COVER GROMMET	B10	21	17	WIRE COMP., R. TURN SIGNAL	G7	114	5
WASHER, SEALING, 6.5X12	B2	5	18		G7	115	13
	C1	27	12	WIRE COMP., TAILLIGHT	G8	116	3
WASHER, SEALING, 6MM	G12	125	27	WRENCH, EYE, 10X12	H1	126	8
WASHER, SHIFT DRUM STOPPER	C7	39	22	WRENCH, EYE, 22MM	H1	127	17
WASHER, SPECIAL	F7	91	16	WRENCH, HEX, 5MM	H1	126	5
WASHER, SPECIAL, 35X40	F4	85	16		H1	126	6
WASHER, SPECIAL, 5MM	E10	72	23	WRENCH, HEX, 8MM	H1	126	7
WASHER, SPECIAL, 6MM	C7	39	24	WRENCH, PLUG	H1	126	4
WASHER, SPECIAL, 8MM	E10	73	51				
	F12	101	23				
WASHER, SPEEDOMETER GEAR	F1	79	11				
WASHER, SPRING, 22MM	B7	15	14				
WASHER, SPRING, 3MM	E3	58	36				
WASHER, SPRING, 4MM	B8	17	19				
	F10	96	19				
WASHER, SPRING, 5MM	B11	22	10				
WASHER, SPRING, 6MM	E3	58	37				
	F10	96	20				
	F12	101	28				
WASHER, SPRING, 8MM	E11	75	66				
WASHER, STEERING STEM	E7	67	16				
WASHER, THRUST	B8	17	13				
WASHER, THRUST, 20X0.85	C6	37	20				
WASHER, THRUST, 20X0.90	C6	37	20				
WASHER, THRUST, 20X0.95	C6	37	20				
WASHER, THRUST, 20X1.00	C6	37	20				
	C6	37	21				
WASHER, THRUST, 20X1.05	C6	37	20				
WASHER, THRUST, 25MM	B7	15	15				
WASHER, THRUST, 25X34	C6	37	19				
WASHER, THRUST, 5MM	B2	5	17				
	B3	7	15				
WASHER, WAVE, 12MM	B4	9	18				